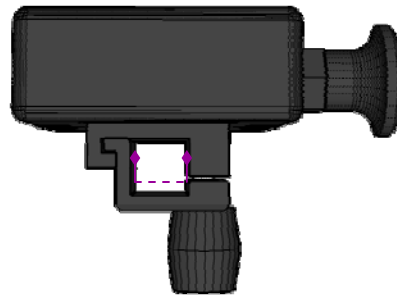
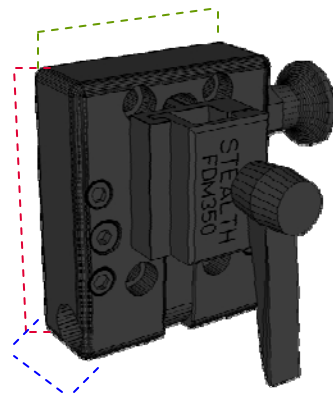


DIMENSIONS



Clamp	.5"
Height	3.15"
Width	2.5"
Thickness	1"



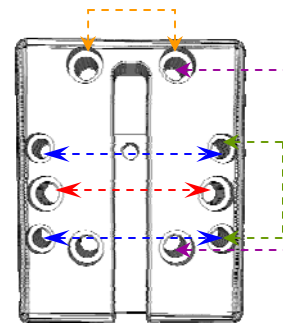
TECHNICAL DATA

1. 5/32 tool for Link and Triangle adjustment.
2. 2x Links included; 1x In-Line, 1x Offset. Links measure 3" from screw to screw.
3. Hardware attaches to all headrests. (Comfort Series, I2I Series, AP Series, Combo Series, Ultra Series)
4. Set screw adjustment for increased stability.

SELLING POINTS

1. Allows for quick & easy flip down of all square tubing hardware.
2. Triangle has full rotation for offset.
3. Anti Rotation slot on mounting rod.
4. Push button flip down for easy release mechanism.
5. Smooth finished edging on every piece.
6. Lever action handle for easy seat back mount adjustment.

HOLE SPACING



Screw Sizes:

10-32 x 3/4" Socket head Screws

1/4-20 x 1" Socket head Screws

Hole Spacing:

2" Horizontal Spacing

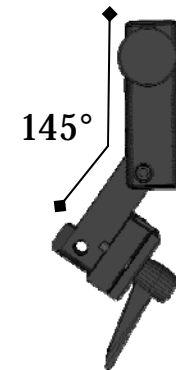
1-7/8" Horizontal Spacing

1" Vertical Spacing

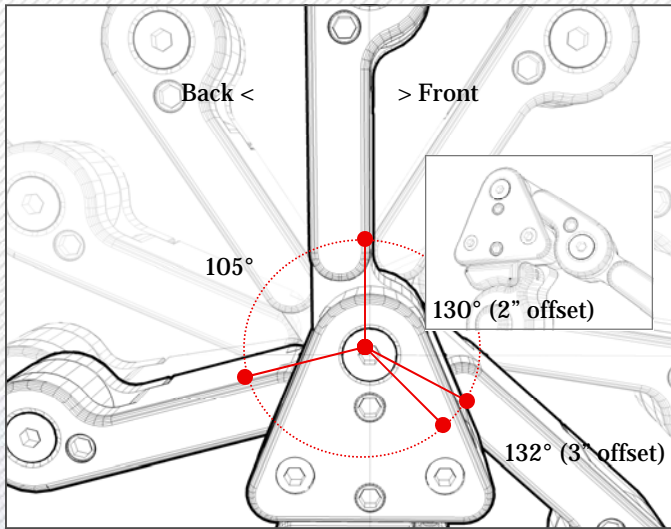
1" Horizontal Spacing

2" Vertical Spacing

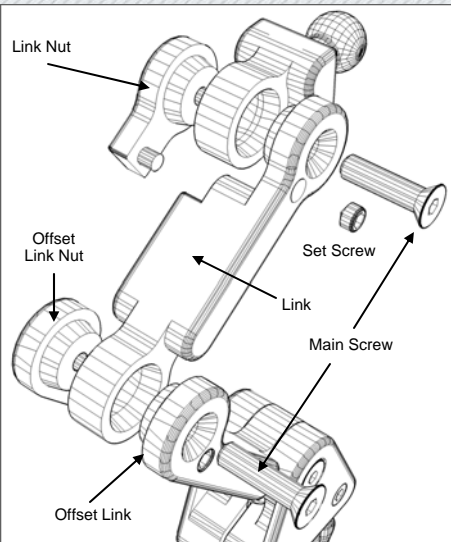
MOUNTING INSTRUCTIONS



Link Adjustability Range



General Information



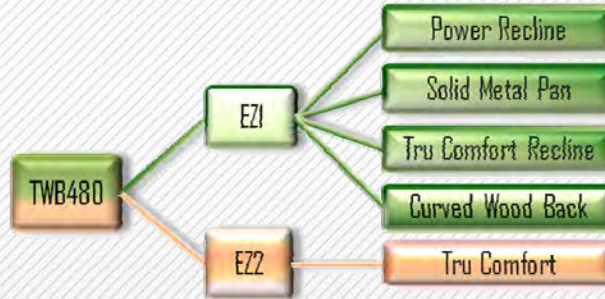
Adding Links...

- To mount a new link into your new TWB480FDM -
1. Loosen & remove the main screws and link nuts.
 2. Add the link in the desired position & replace link nuts & main screws. (uses 5-32 5/32 tool)
 3. Tighten the set screws for additional support.

EZ2-TRU COMFORT BACK

Tru Comfort Back Requires approximately 1/4" to be cut from the shroud in the rear in order for the back to receive the hardware

EZ—Guide



EZ1	Requires minimal tools & no modifications
EZ2	Requires minimal tools & minor modifications
Ez3	Requires multiple tools & several modifications

More information available at www.stealthproducts.com

Curved Wood Back—EZ1



Solid Metal Pan Back—EZ1



Power Recline Back—EZ1



Tru Comfort Recline Back—EZ1

