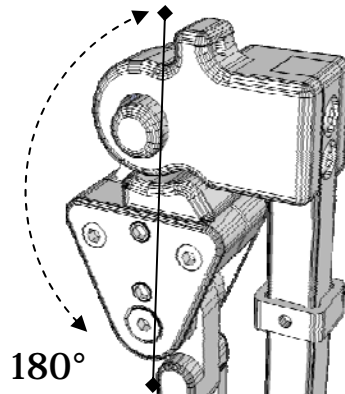


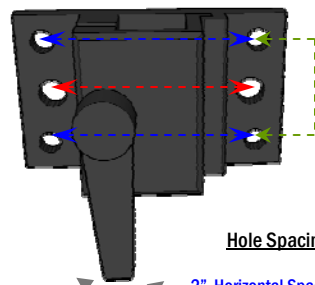
Flip Down Mount



TWB486FDM includes:

1. TWB-SOL(2" offset) or TWB-LOL(3" Offset)
2. TWB-Link(3" in line)
3. TWB17mm-B or TWBI-B
4. TWB480-TR

SEAT BACK MOUNT



Hole Spacing:

- 2" Horizontal Spacing (50.8mm)
- 1-7/8" Horizontal Spacing (47.625mm)
- 1" Vertical Spacing (25.4mm)

Screw Sizes:

- 10-32 x 3/4" Socket head Screws
- 1/4-20 x 1" Socket head Screws

Uses 4mm Tool

TECHNICAL DATA

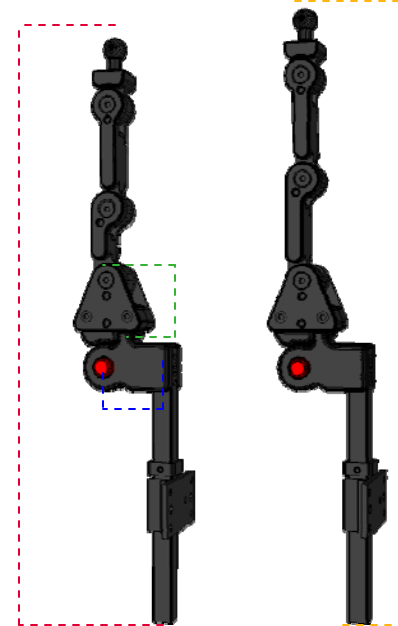
1. 4mm tool for Link and Triangle adjustment.
2. 2x Links included; 1x In-Line, 1x Offset. Links measure 3" from screw to screw.
3. Hardware attaches to all headrests. (Comfort Series, I2I Series, AP Series, Combo Series, Ultra Series)
4. Set screw adjustment for increased stability.
5. All screws have standard imperial threading, but are keyed to fit metric tools: 2.5mm, 3mm, 4mm.

SELLING POINTS

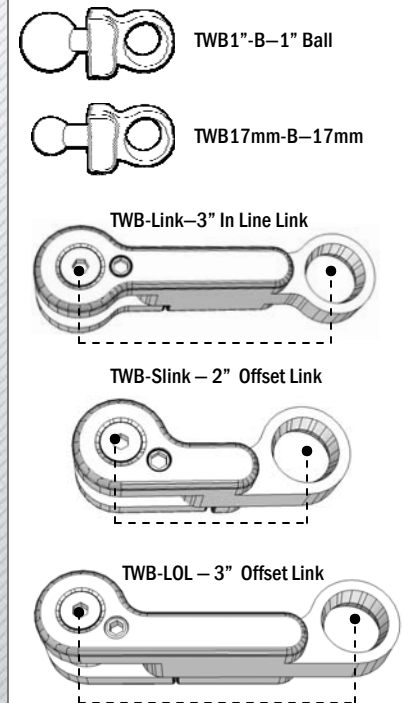
1. Fully adjustable fore and aft movement for infinite positioning on links.
2. Triangle has full rotation for offset.
3. Push button flip down for easy release mechanism.
4. Smooth finished edging on every piece.

DIMENSIONS

Total Height—43.815cm (w/ 2" Link)	Triangle—50.8mm
Total Height—46.355cm (w/ 3" Link)	Posterior Offset—50.8mm



LINKS



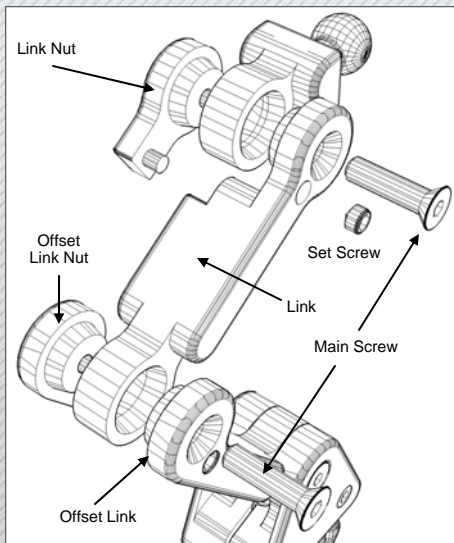
More information available at
www.stealthproducts.com

Adding Links...

To mount a new link into your new
TWB486FDM -

1. Loosen & remove the main screws and link nuts.
2. Add the link in the desired position & replace link nuts & main screws. (uses 4mm tool)
3. Tighten the set screws for additional support.

General Information



Link Adjustability Range

