

Stealth Products[®]

Alternative Drive Controls



OWNER'S MANUAL



Egg Switch

Egg Switch Owner's Manual

Stealth Products strives for 100% customer satisfaction. Your complete satisfaction is important. Please contact us with feedback or to suggest changes that may help improve the quality and usability of our products. You may reach us at:



Stealth Products, LLC

104 John Kelly Drive, Burnet, TX 78611

Phone: (512) 715-9995

Toll Free: (800) 965-9229

Fax: (512) 715-9954

Toll Free: (800) 806-1225

info@stealthproducts.com



MDSS GmbH

Schiffgraben 41

30175 Hannover, Germany



General

Read and understand all instructions prior to the use of the product. Failure to adhere to instructions and warnings in this document may result in property damage, injury, or death. Product misuse due to failure to adhere to the following instructions will void the warranty.

Immediately discontinue use if any function is compromised, if parts are missing or loose, or if any component shows signs of excessive wear. Consult with your supplier for repair, adjustment, or replacement.

Important Information!

All persons responsible for fitting, adjustment, and daily use of the devices discussed in these instructions must be familiar with and understand all safety aspects of the devices mentioned. In order for our products to be used successfully, you must:

- read and understand all instructions and warnings;
- maintain our products according to our instructions on care and maintenance; and
- ensure devices are installed and adjusted by a trained technician.

Supplier Reference

Supplier: _____

Telephone: _____

Address: _____

Purchase Date: _____

Model: _____

The installation instructions will guide you through the options and possibilities with the product.

Instructions are written with the expressed intent of use with standard configurations. They also contain important safety and maintenance information, as well as describe possible problems that can arise during use. For further assistance or more advanced applications, please contact your supplier or Stealth Products at (512) 715-9995 or toll free at (800) 965-9229.

Always keep the operating instructions in a safe place so they may be referenced as necessary.

All information, pictures, illustrations, and specifications are based on the product information that was available at the time of printing. Pictures and illustrations shown in these instructions are representative examples and are not intended to be exact depictions of the various parts of the product.

CAUTION

This product is designed to be fitted, applied, and installed exclusively by a healthcare professional trained for these purposes. The fitting, application and/or installation by a non-qualified individual could result in serious injury.

Ordering Documentation

You can download additional copies of this user manual by accessing the Stealth website (www.stealthproducts.com) and searching "Egg Switch Owner's Manual" in the search bar at the top of the page.

Our products are designed, manufactured, and produced to the highest of standards. If any defect in material or workmanship is found, Stealth Products will repair or replace the product at our discretion. Any implied warranty, including the implied warranties of merchantability and fitness for a particular purpose, shall not extend beyond the duration of this warranty. Stealth Products, LLC does not warrant damage due to, but not limited to:

- misuse, abuse, or misapplication of products; and/or
- modification of product without written approval from Stealth Products, LLC.

Any lack or alteration of serial number, where applicable, will automatically void this warranty.

Stealth Products, LLC is liable for replacement parts only. Stealth Products, LLC is not liable for any incurred labor costs.

No person is authorized to alter, extend, or waive the warranties of Stealth Products, LLC.

Stealth Products, LLC warrants against failure due to defective materials or workmanship:

Covers: 180 days

Hardware: 5 years

Electronics: 3 years

In Case of Product Failure

In the event of product failure covered by our warranty, please follow the procedures outlined below:

1. Call Stealth Products at (512) 715-9995 or toll free at (800) 965-9229.
2. Request a Return Authorization (RA) form from the Returns Department and follow department documentation instructions.

1.0 Customer Satisfaction	i
2.0 Important Information	ii
3.0 Introduction	iii
4.0 Warranty	iv
5.0 Table of Contents	v
6.0 Warning Labels	vi
6.1 Warning Labels	vi
6.2 Limited Liability.....	vi
6.3 Testing	vi
7.0 Design and Function	1
7.1 Intended Use	1
7.2 Features	1
8.0 Parts and Accessories	2
8.1 Egg Switch Package	2
8.2 Egg Switch Mounting Options.....	3
9.0 Installation Instructions	5
9.1 Preparations.....	6
9.2 Tools.....	6
9.3 Installation Plan	6
9.4 Required Tools.....	7
9.5 Installing the Egg Switch.....	8
10.0 First-Time Use	11
11.0 Maintenance	12
11.1 Maintenance.....	12
11.2 Cleaning	12
11.0 Notes	13

Warning Labels

6.1

Warnings are included for the safety of the user, client, operator, and property. Please read and understand what the signal words **DANGER, WARNING, CAUTION, NOTICE,** and **SAFETY** mean, and how they could affect the user, those around the user, and property.

DANGER

Identifies an **imminent** situation which, if not avoided, may result in **severe injury, death, and/or property damage.**

WARNING

Identifies a **potential** situation which, if not avoided, may result in **severe injury, death, and/or property damage.**

CAUTION

Identifies a **potential** situation which, if not avoided, may result in **minor to moderate injury and/or property damage.**

NOTICE

Identifies important information not related to injury, but possible **property damage.**

SAFETY

Indicates steps or instructions for safe practices, reminders of safe procedures, or important safety equipment that may be necessary.

Limited Liability

6.2

Stealth Products, LLC accepts no liability for personal injury or damage to property that may arise from the failure of the user or other persons to follow the recommendations, warnings, and instructions in this manual.

Stealth Products, LLC does not hold responsibility for final integration of final assembly of product to end user. Stealth Products, LLC is not liable for user death or injury.

Testing

6.3

Initial setup and driving should be done in an open area free of obstacles until the user is fully capable of driving safely.

Intended Use

7.1

The **Egg Switch** is designed for individuals for whom switch malfunctioning due to debris, moisture, or other foreign substances is a concern. Additionally, individuals with a need for clear audible or tactile feedback will find the **Egg Switch** uniquely beneficial, as well as individuals whose motor functioning requires a switch able to be activated with less precision.

Egg Switch Features

7.2

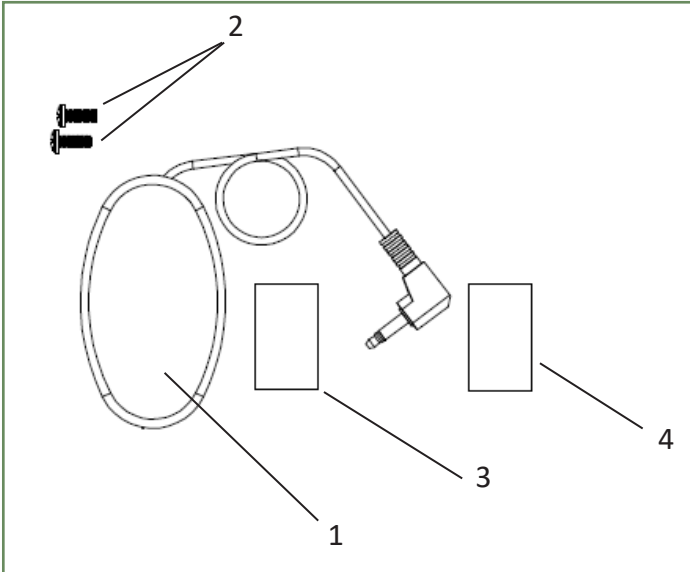
Stealth Products' **Egg Switch** features:

- durable, high-impact plastic;
- an ergonomic design with a variety of bright color offerings;
- a complete outer seal, preventing debris or spillage from penetrating the switch;
- a full-surface activation area, allowing the switch to be engaged at any point on the device;
- clear and audible feedback;
- a light activation-force requirement, enabling the switch to be activated with minimal effort; and
- multiple different mounting compatibilities, including a hook/loop and adhesive option.

Egg Switch Package

8.1

The following is included in the **Egg Switch** package:

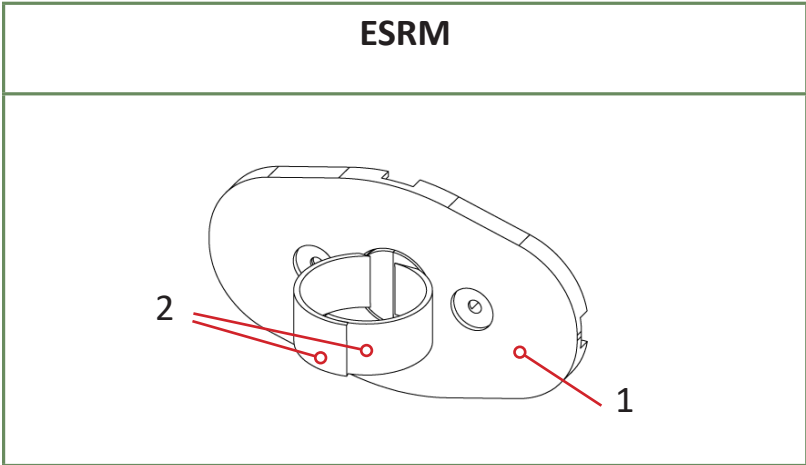


	Description	Qty.
1	Egg Switch	1
2	6-32 x 3/8" Pan Head Phillips Machine Screws	2
3	Velcro w/Adhesive (Hook Side)	1
4	Velcro w/Adhesive (Loop Side)	1

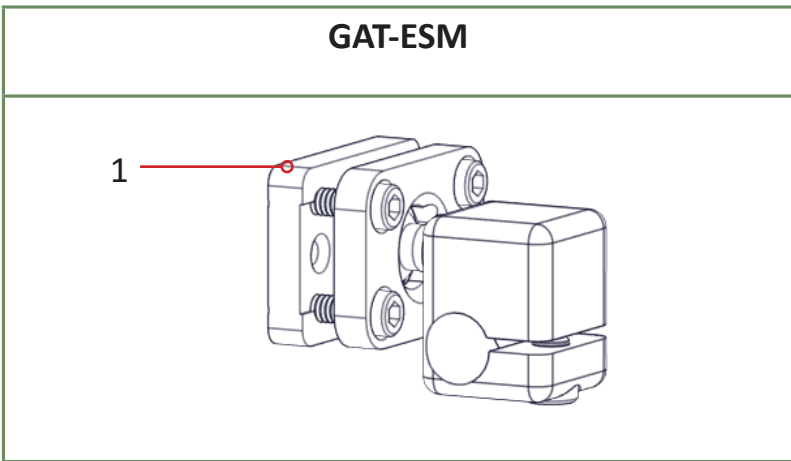
Egg Switch Mounting Options

8.2

In addition to color options, the **Egg Switch** comes with multiple mounting options, pictured below:

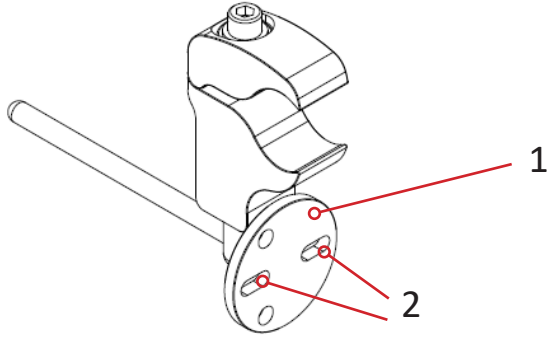


	Part
1	Egg Switch Finger Ring Mount
2	Egg Switch Finger Clamps (2)



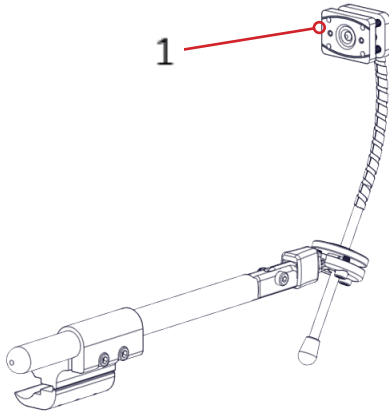
	Part
1	Egg Switch Mount Faceplate

STL611



	Part
1	Clamp Disc
2	Disc Mount Holes (2)

ARMS260

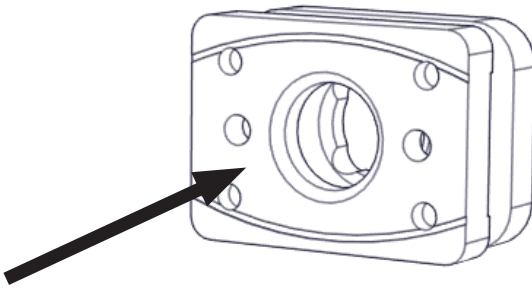


	Part
1	Egg Switch Mount Faceplate

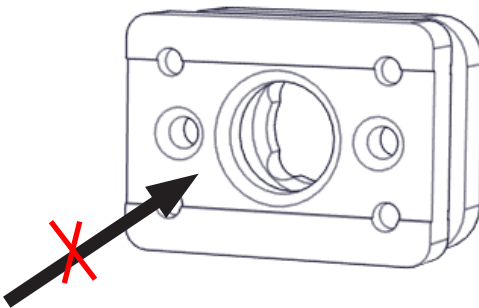
⚠ CAUTION

Mounting the **Egg Switch** to the Egg Switch Mount incorrectly will cause damage to the device and/or cause the device to malfunction. Ensure the **Egg Switch** is mounted to the Egg Switch Mount correctly prior to use.

The Egg Switch Mount Faceplate features two sides: one side with a flat face and an oval-shaped outline, and one side with a recessed inner edge. *Never* mount the **Egg Switch** to the side with the recessed inner edge. *Always* mount the **Egg Switch** to the side with the flat face and the oval-shaped outline.



ALWAYS mount
Egg Switch here.



NEVER mount
Egg Switch here.

Installation Instructions

Preparations

9.1

Only a qualified service technician may install the **Egg Switch** and its accessories.

WARNING

An incorrect installation of the **Egg Switch** and its accessories may cause damage to the hardware and/or injury to the user.

Tools

9.2

Use the proper tools to install and adjust the **Egg Switch** to the desired position for the user. Ensure all torque specifications are followed.

CAUTION

The use of improper tools may cause damage to the device. Not tightening to the torque specification can cause components to fail or cause discomfort to the user.

Installation Plan

9.3

Set up an installation plan before beginning the installation. This plan should take into account:

- where the **Egg Switch** will be placed;
- how the **Egg Switch** will be operated; and
- the amount of clearance necessary for other hardware and accessories.

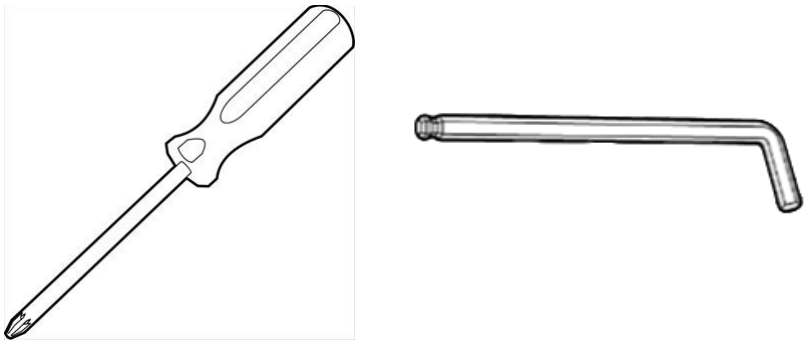
CAUTION

Any connection must always be secured with all delivered screws. Only use the screws provided in the package.

Required Tools

9.4

The tools needed to install the **Egg Switch** to all mounting options are as follows:



Tool
#2 Phillips Screwdriver
4mm Hex Key

*(Note: These tools are not provided in the **Egg Switch** package.)*

Included with the Egg Switch:

Screws	Torque Specifications
6-32 x 3/8" Pan Head Phillips Machine Screws	9.6lb-in.

Included with the Egg Switch Mount:

Screws	Torque Specifications
6-32 x 1/2" Flat Head Phillips Machine Screws	9.6lb-in.

(Note: For mount-specific tool requirements and torque specifications, refer to the manual for each mount.)

Installing the Egg Switch

9.5

Option One: Hook/Loop and Adhesive Installation

Step One: Remove both 1" hook/loop patches from plastic packaging; separate the two patches from one another.

Step Two: Determine the desired location for the **Egg Switch**.

Step Three: Carefully remove the protective backing of one hook/loop patch; apply the patch, adhesive-side down, to the desired location.

Step Four: Remove the protective backing of the other hook/loop patch and apply it, adhesive-side down, to the underside of the **Egg Switch**, taking care that the patch does not hinder the movement of the switch's mono headphone cord.

Step Five: Firmly press the **Egg Switch** against the hook/loop patch at the desired location, ensuring the two patches are flush with one another and have created a secure bond.

Option Two: Switch-to-Mount Installation

The steps for installing the **Egg Switch** to each mounting option are detailed below:

ESRM Mounting Instructions:

Step One: Feed both Egg Switch Finger Clamps through the large hole in the Egg Switch Finger Ring Mount.

Step Two: Place the **Egg Switch** onto the flat surface of the Egg Switch Ring Mount, aligning both screw holes on the back of the **Egg Switch** with the two screw holes in the Egg Switch Finger Ring Mount.

Step Three: With the components' screw holes aligned, insert both 6-32 x 1/2" screws (provided with mounting hardware) into the holes through the Egg Switch Finger Ring Mount into the **Egg Switch** and tighten them; screws should be tightened to 9.6lb-in.

GAT-ESM Mounting Instructions:

Step One: Using a 4mm hex key to remove the four 10-24 x 1/2" screws, detach the Egg Switch Mount Faceplate from the assembly.

Step Two: Place the **Egg Switch** onto the flat face of the Egg Switch Mount, aligning both screw holes on the back of the **Egg Switch** with the two screw holes in the Egg Switch Mount Faceplate.

Step Three: With the components' screw holes aligned, insert both 6-32 x 1/2" screws (provided with the mounting hardware) into the holes through the opposite side of the Egg Switch Mount Faceplate into the back of the **Egg Switch**, and tighten them; screws should be tightened to 9.6lb-in.

Step Four: With the Egg Switch now fastened to the Egg Switch Mount Faceplate, reattach the Egg Switch Mount Faceplate to the original assembly by replacing the four 10-24 x 1/2" screws.

STL611 Mounting Instructions:

Step One: Place the **Egg Switch** onto the surface of the Clamp Disc, aligning both screw holes on the back of the **Egg Switch** with the two oblong holes on the Clamp Disc.

Step Two: With the components' screw holes aligned, insert both 6-32 x 3/8" screws (provided with the **Egg Switch**) into the oblong holes through the Clamp Disc into the back of the **Egg Switch** and tighten them; screws should be tightened to 9.6lb-in.

ARMS260 Mounting Instructions:

Step One: Using a 4mm hex key to remove the four 10-24 x 1/2" screws, detach the Egg Switch Mount Faceplate from the assembly.

Step Two: Place the **Egg Switch** onto the flat face of the Egg Switch Mount, aligning both screw holes on the back of the **Egg Switch** with the two screw holes in the Egg Switch Mount Faceplate.

Step Three: With the components' screw holes aligned, insert both 6-32 x 3/8" screws (provided with the **Egg Switch**) into the holes through the opposite side of the Egg Switch Mount Faceplate into the back of the **Egg Switch** and tighten them, screws should be tightened to 9.6lb-in.

Step Four: With the Egg Switch now fastened to the Egg Switch Mount Faceplate, reattach the Egg Switch Mount Faceplate to the original assembly by replacing the four 10-24 x 1/2" screws.

Dealer Assistance

10.1

During first-time use by the client, it is advised that the dealer or service technician not only install the device, but also explains the configuration of user positioning to the customer (the user and/or the attendant). If needed, the dealer can make final adjustments.

User Testing

10.2

It is important that the customer is fully aware of the installation of the **Egg Switch**, how to use it, and how it can be adjusted to fit the client comfortably. As a dealer, proceed as follows:

- Explain and show the customer how you have executed the installation and explain the function.

Have the user test the position of the **Egg Switch**.

- Is the hardware in the proper position for the client?
- Can the user safely operate all controls with minimal effort?

If needed, make any adjustments to the positioning.

Explain to the customer possible problems and how to address them.

Conditions of Use

10.3

The **Egg Switch** is intended for use as installed by the dealer, in accordance to the installation instructions in this manual.

- The foreseen conditions of use are communicated by the dealer or service technician to the user and/or attendant during the first-time use.
- If the usage conditions change significantly, please contact your dealer or a qualified service technician to avoid unintended damage.

Maintenance

11.1

These care and guideline instructions will keep the hardware in good condition for a longer period of time and prevent damage:

- Check and re-tighten all fasteners to the proper torque specifications on a regular basis. Reference the installation manual to find proper torque specs.
- Repair or replace parts as needed.
- Gently remove dust and dirt from hardware with a soft, damp cloth.

Cleaning

11.2

- Use a soft, damp cloth to clean the device.
- Ensure all cleaners are approved for finished steel, aluminum, plastic, and upholstered surfaces.

CAUTION

Always check all mounting hardware, making sure each fastener is properly tightened before using the **Egg Switch**.

SAFETY

Replace or repair parts as needed.

NOTICE

Improperly installing the device or altering it in any way will void its warranty.



Stealth Products, LLC. • info@stealthproducts.com • www.stealthproducts.com
+1(800) 965-9229 | +1(512) 715-9995 | 104 John Kelly Drive, Burnet TX 78611