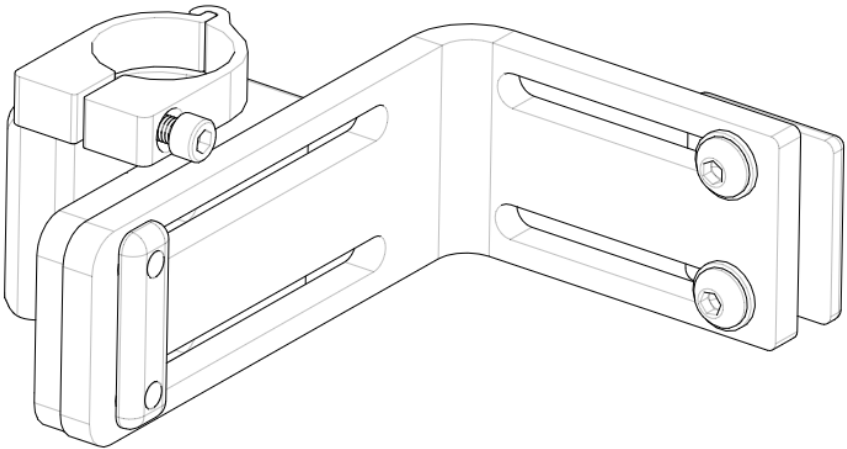


**Stealth Products**<sup>®</sup>

Backs and Support



**OWNER MANUAL**



## Trouble Free Hardware

---

TFB Hardware Trouble Free Owner's Manual

Stealth Products strives for 100% customer satisfaction. Your complete satisfaction is important. Please contact us with feedback or suggested changes that will help improve the quality and usability of our products. You may reach us at:



Stealth Products, LLC

104 John Kelly Drive, Burnet, TX 78611

Phone: (512) 715-9995

Toll Free: 1(800) 965-9229

Fax: (512) 715-9954

Toll Free: 1(800) 806-1225

info@stealthproducts.com

www.stealthproducts.com



MDSS GmbH

Schiffgraben 41

30175 Hannover, Germany



## General

Read and understand all instructions prior to the use of the product. Failure to adhere to instructions and warnings in this document may result in property damage, injury, or death. Product misuse due to failure of the following instructions will void the warranty.

Immediately discontinue use if any function is compromised, parts are missing, loose, or shows signs of excessive wear. Consult with your supplier for repair, adjustment, or replacement.

## Important Information!

All persons responsible for fitting, adjustment, and daily use of the devices discussed in these instructions must be familiar with and understand all safety aspects of the devices mentioned. In order for our products to be used successfully, you must:

- Read and understand all instructions and warnings.
- Maintain our products according to our instructions on care and maintenance.
- Devices should be installed and adjusted by a trained technician.

## Supplier Reference

Supplier: \_\_\_\_\_

Telephone: \_\_\_\_\_

Address: \_\_\_\_\_

\_\_\_\_\_

Purchase Date: \_\_\_\_\_

Model: \_\_\_\_\_

The installation instructions will guide you through the options and possibilities with the product.

Instructions are written with the expressed intent of use with standard configurations. They also contain important safety and maintenance information, as well as describe possible problems that can arise during use. For further assistance, or more advanced applications, please contact your supplier or Stealth Products at (512) 715-9995 or toll free at 1-800-965-9229.

Always keep the operating instructions in a safe place so they may be referenced as necessary.

All information, pictures, illustrations, and specifications are based on the product information that was available at the time of printing. Pictures and illustrations shown in these instructions are representative examples and are not intended to be exact depictions of the various parts of the product.

### **CAUTION**

These products are designed to be fitted, applied, and installed exclusively by a health care professional trained for these purposes. The fitting, application and installation by a non-qualified individual could result in serious injury.

## Ordering Documentation

You can download additional copies of this user manual on the Stealth website: [www.stealthproducts.com](http://www.stealthproducts.com)

Or search:

TFB Hardware Trouble Free Owner's Manual in the search bar at the top of the page.

Our products are designed, manufactured, and produced to the highest of standards. If any defect in material or workmanship is found, Stealth Products will repair or replace the product at our discretion. Any implied warranty, including the implied warranties of merchantability and fitness for a particular purpose, shall not extend beyond the duration of this warranty. Stealth Products, LLC does not warrant damage due to, but not limited to:

- Misuse, abuse, or misapplication of products.
- Modification of product without written approval from Stealth Products, LLC.
- Any alteration or lack of serial number, where applicable, will automatically void this warranty.
- Stealth Products, LLC is liable for replacement parts only.
- Stealth Products, LLC is not liable for any incurred labor costs.

No person is authorized to alter, extend, or waive the warranties of Stealth Products, LLC.

Stealth Products warrants against failure due to defective materials or workmanship:

Covers: 180 days

Hardware: 5 years

Electronics: 3 years

## In Case of Product Failure

In the event of product failure covered by our warranty, please follow the procedures outlined below:

1. Call Stealth Products at +1 (512) 715-9995 or toll free at +1 (800) 965-9229.
2. Request the Returns Department or obtain a Return Authorization (RA) from the Returns Department and follow department documentation instructions.

<b>1.0 Customer Satisfaction .....</b>	<b>i</b>
<b>2.0 Important Information.....</b>	<b>ii</b>
<b>3.0 Introduction .....</b>	<b>iii</b>
<b>4.0 Warranty .....</b>	<b>iv</b>
<b>5.0 Table of Contents.....</b>	<b>v</b>
<b>6.0 Warning Labels.....</b>	<b>vii</b>
6.1 Warning Labels .....	vii
6.2 Limited Liability.....	vii
6.3 Testing .....	vii
<b>7.0 Parts and Accessories .....</b>	<b>1</b>
7.1 Trouble Free Hardware Package.....	1
7.2 Trouble Free Hardware Kit - Mount.....	2
7.3 Trouble Free Hardware Kit - Latch Assembly.....	3
<b>8.0 Features.....</b>	<b>4</b>
8.1 Trouble Free Hardware Features.....	4
8.2 Width Adjustment .....	4
8.3 Depth Adjustment .....	5
<b>9.0 Installation Instructions .....</b>	<b>7</b>
9.1 Preparations.....	7
9.2 Tools.....	7
9.3 Installation Plan .....	7
9.4 Required Tools/ Torque Chart .....	8
9.5 Installing the Hardware to the Back.....	9
9.6 Clamp Assembly to Wheelchair Back Post.....	10
<b>10.0 Maintenance.....</b>	<b>11</b>
10.1 General Maintenance.....	11
10.2 Cleaning .....	11
<b>11.0 Notes .....</b>	<b>12</b>

## Warning Labels

### 6.1

Warnings are included for the safety of the user, client, operator and property. Please read and understand what the signal words **SAFETY, NOTICE, CAUTION, WARNING** and **DANGER** mean, how they could affect the user, those around the user, and property.

#### **DANGER**

Identifies an **imminent** situation which (if not avoided) will result in **severe injury, death, and property damage**.

#### **WARNING**

Identifies an **potential** situation which (if not avoided) will result in **severe injury, death, and property damage**.

#### **CAUTION**

Identifies an **potential** situation which (if not avoided) will result in **minor to moderate injury, and property damage**.

#### **NOTICE**

Identifies important information not related to injury, but possible **property damage**.

#### **SAFETY**

Indicates steps or instructions for safe practices, reminders of safe procedures, or important safety equipment that may be necessary.

## Limited Liability

### 6.2

Stealth Products, LLC accepts no liability for personal injury or damage to property that may arise from the failure of the user or other persons to follow the recommendations, warnings, and instructions in this manual.

Stealth Products does not hold responsibility for final integration of final assembly of product to end user. Stealth Products is not liable for user death or injury.

## Testing

### 6.3

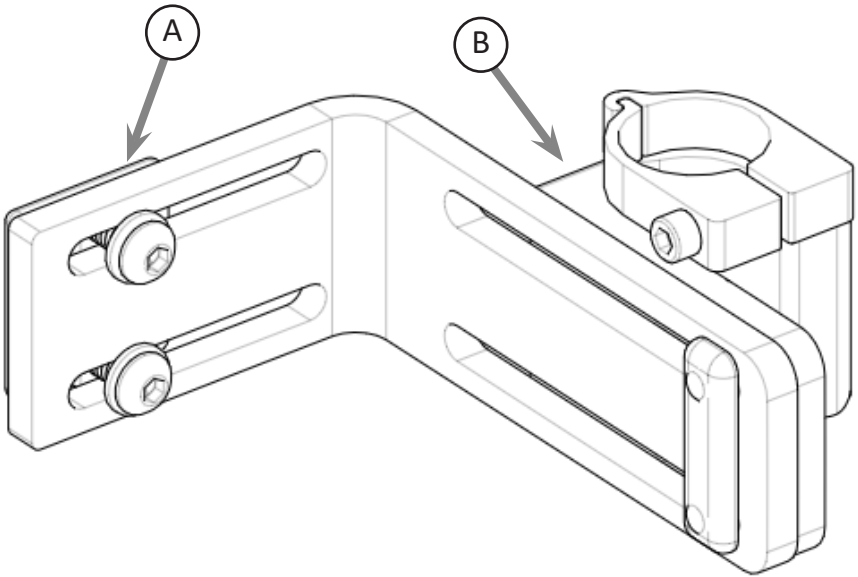
Initial setup and driving should be done in an open area free of obstacles until the user is fully capable of driving safely.

## Trouble Free Hardware Package

## 7.1

The following hardware is included for the mounting hardware:

Part Number*	Product Description*	
TFBMDM12 TFBMDM15 TFBMDM19 TFBMDM22	2 Pt or 4Pt Trouble Free Complete Mounting Kit	



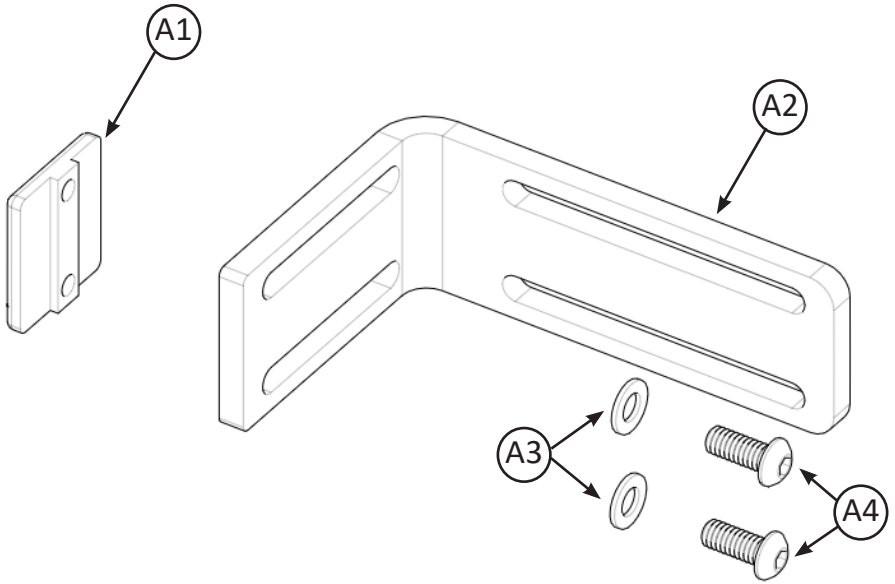
ID	Description
A	Mount
B	Back-Post Clamp Assembly

Note: The exact item number will depend on whether you have 2 pt or 4 pt mounting, and whether it is between the canes or full width.



Trouble Free Kit- Mount

7.2

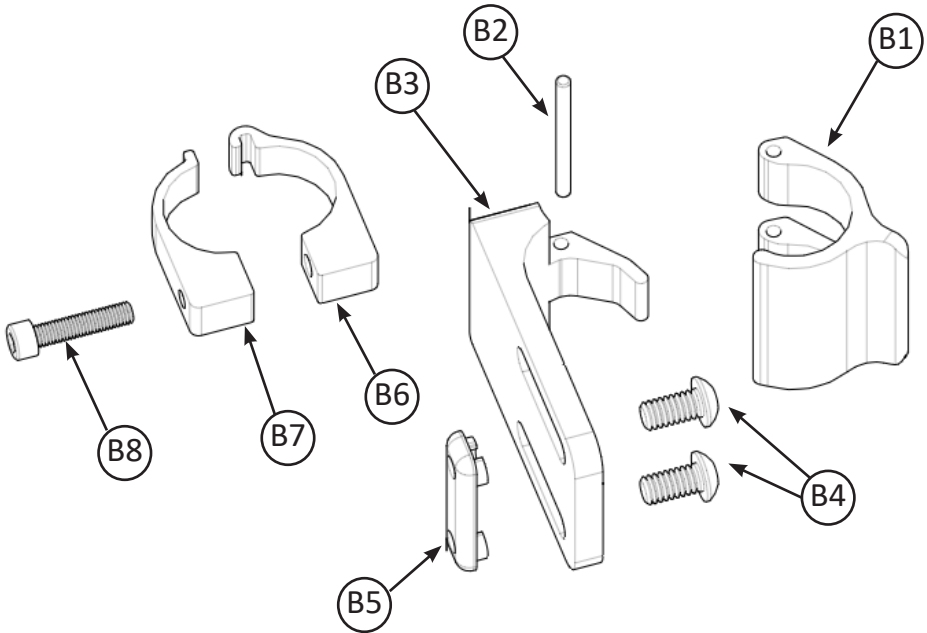


ID	Part Number	Description	Qty.
A1	TFB200-06	T-Nut	1
A2	SSS200-66	Flat Slotted Adjustable Bracket	1
A3	1/4 SSW	1/4" Stainless Steel Washer	2
A4	1/4-20 x 5/8" BHS	1/4-20 x 5/8" Button Head Screw	2

Note: These items will typically come pre-installed on the back

## Trouble Free Kit- Latch Assembly

## 7.3



ID	Part Number	Description	Qty.
B1	SSS100-72-02	1 Inch Swing Away Clamp-Plastic	1
B2	1/8 x 1 1/2 DP	1/8" x 1.25" Steel Dowel Pin	1
B3	SSS100-72-01	TF Clamp J Hook	1
B4	1/4-20 x 1/2" BHS	1/4-20 x 1/2" Button Head Screw	2
B5	SSS200-73	1 Inch Slot Nut - Quarter Twenty	1
B6	SSS100-75	1" Female Tube Stop Clamp	1
B7	SSS100-76	1" Male Tube Stop Clamp	1
B8	10-32 x 7/8" SHS	10-32 x 7/8" Socket Head Screw	1

Note: These items will typically come pre-installed on the back

## Trouble Free Hardware Features

8.1

The Trouble Free hardware includes features such as width and depth adjustments.

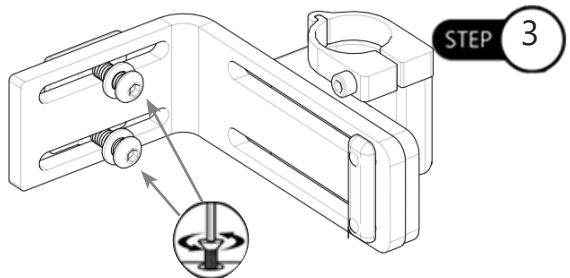
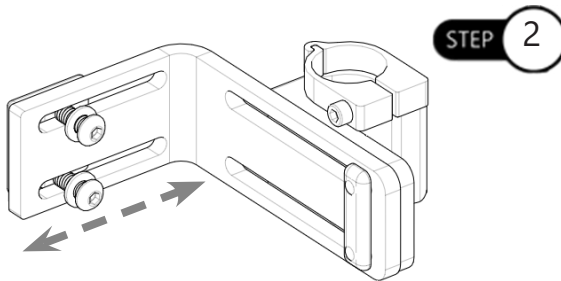
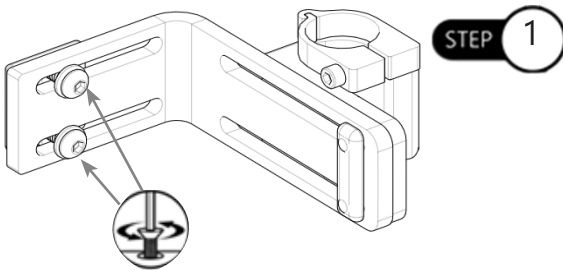
### Width Adjustment

8.2

Step One: Loosen the 1/4-20 X 5/8" Button Head Screws (A4) on the Mount (A).

Step Two: Position the Mount (A) to the required depth.

Step Three: Secure the Mount (A) in place by tightening the screws (A4).



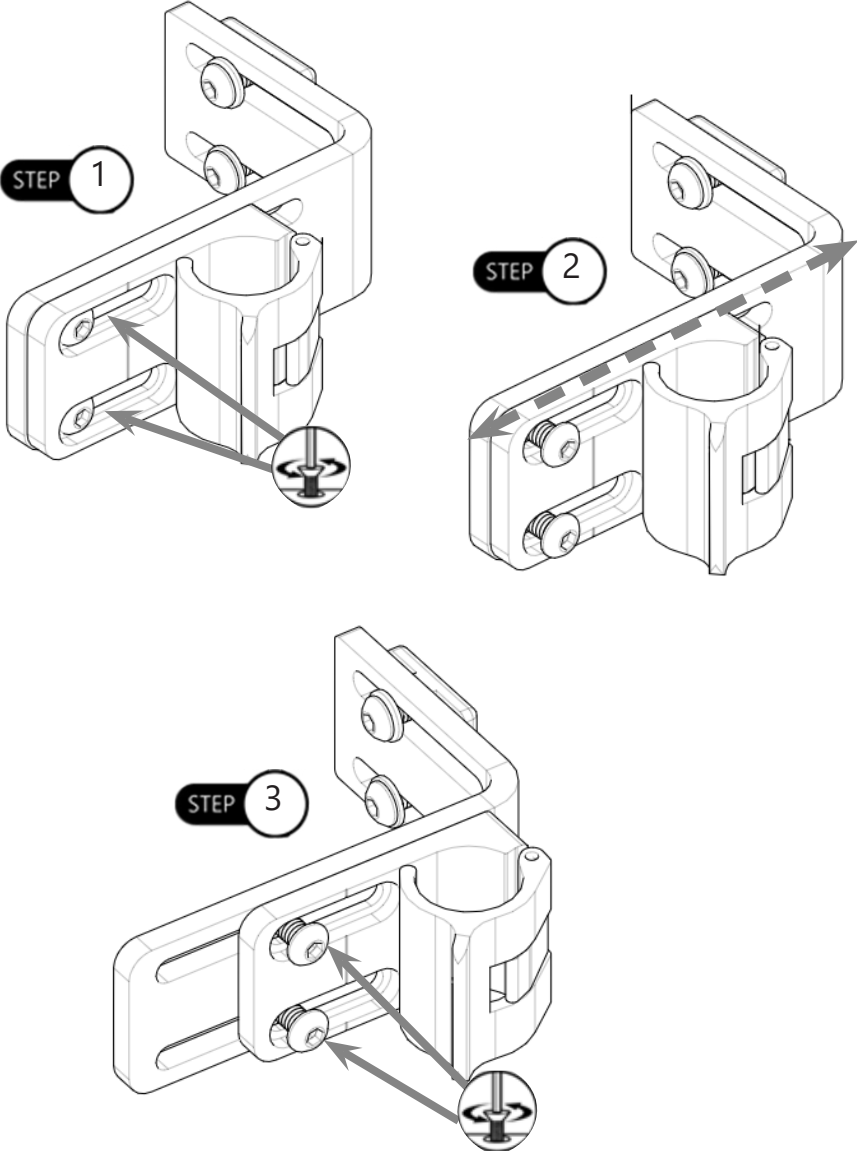
## Depth Adjustment

### 8.3

Step One: Loosen the 1/4-20 X 1/2" Socket Head Screws (C5) on the Back-Post Clamp (C).

Step Two: Position the Back-Post Clamp (C) to the required depth.

Step Three: Secure the Back-Post Clamp (C) in place by tightening the screws (C5).



# Installation Instructions

## Preparations

### 9.1

Only a qualified service technician may install the TFB back and its accessories.

#### **WARNING**

An incorrect installation of the TFB and its accessories may cause damage to the hardware and/or injury to the user.

## Tools

### 9.2

Use the proper tools to install and adjust the TFB to the desired position for the user. Ensure all torque specifications are followed.

#### **CAUTION**

The use of improper tools may cause damage to the device. Not tightening to the torque specification can cause components to fail or cause discomfort to the user.

## Installation Plan

### 9.3

Set up an installation plan before beginning the installation. This plan should take into account:

- Where the TFB will be placed as well as applicable laterals and support cushions
- How the TFB will be operated - the functions for the mount and laterals
- Sufficient clearance of other hardware and accessories

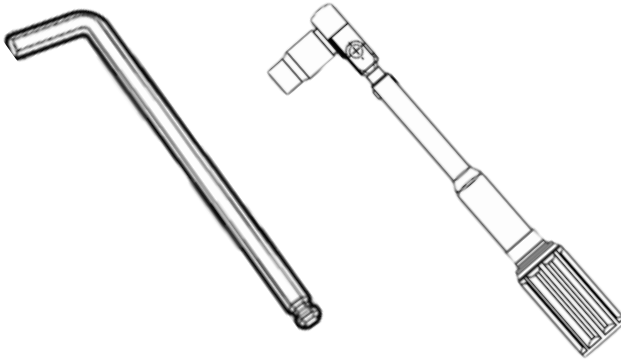
#### **CAUTION**

Any connection must always be secured with all delivered screws. Only use the screws provided in the package.

## Required Tools

## 9.4

The tools needed to complete the installation are as follows:



Hardware	Description
5/32" T-Handle	Button Head Screws on Mount (A4),
	Button Head Screws on Latch Assembly (B4)
	Button Head Screw on Back-Post Clamp Assembly (B8)

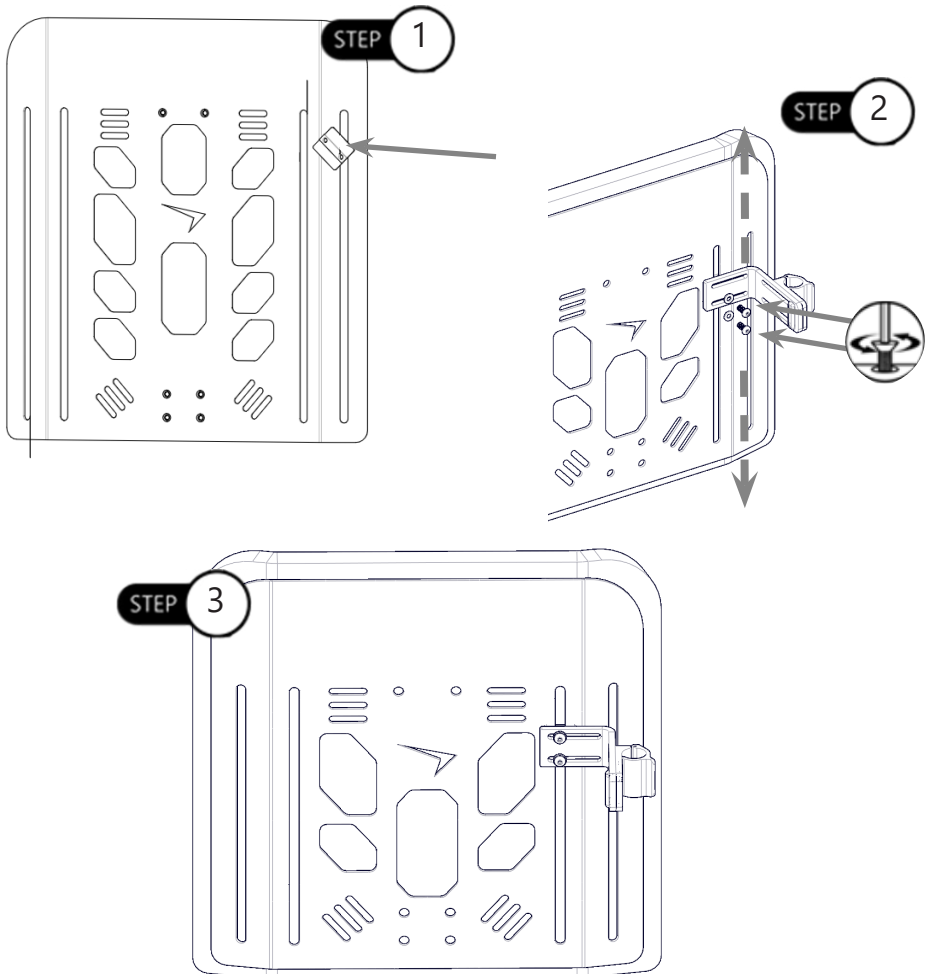
Tools are not provided. Refer to the manuals for additional accessories for the list of tools required for their installation.

Screws	Torque Specifications
10-32 x 7/8" Socket Head Screw (B8)	80in-lbs
1/4-20 x 1/2" Socket Head Screw (B4)	125in-lbs
1/4-20 x 5/8" Button Head Screw (A4)	125in-lbs

## Installing the Hardware to the Back

### 9.5

- Step One:** Take the T-nuts (A1) and slide them behind the aluminum frame of the back.
- Step Two:** Line the L-bracket (A2) with the T-nuts (A1) and ensure it is in the appropriate horizontal and vertical position before securing it with two 1/4-20 x 5/8" button head screws (A4). Ensure each screw gets a 1/4" washer (A3) before tightening to 125in-lbs of torque.
- Step Three:** Take the latch assembly (C) and attach it with two 1/4-20 x 5/8" button head screws (C9) to the L-bracket (B2). Each screw gets a 1/4-20 lock nut (C1) and 1/4" washer (C8) to secure it. Before tightening to 125in-lbs of torque, ensure the assembly is positioned in the correct depth and angle needed.
- See Section 10.1 for information on adjustment options.

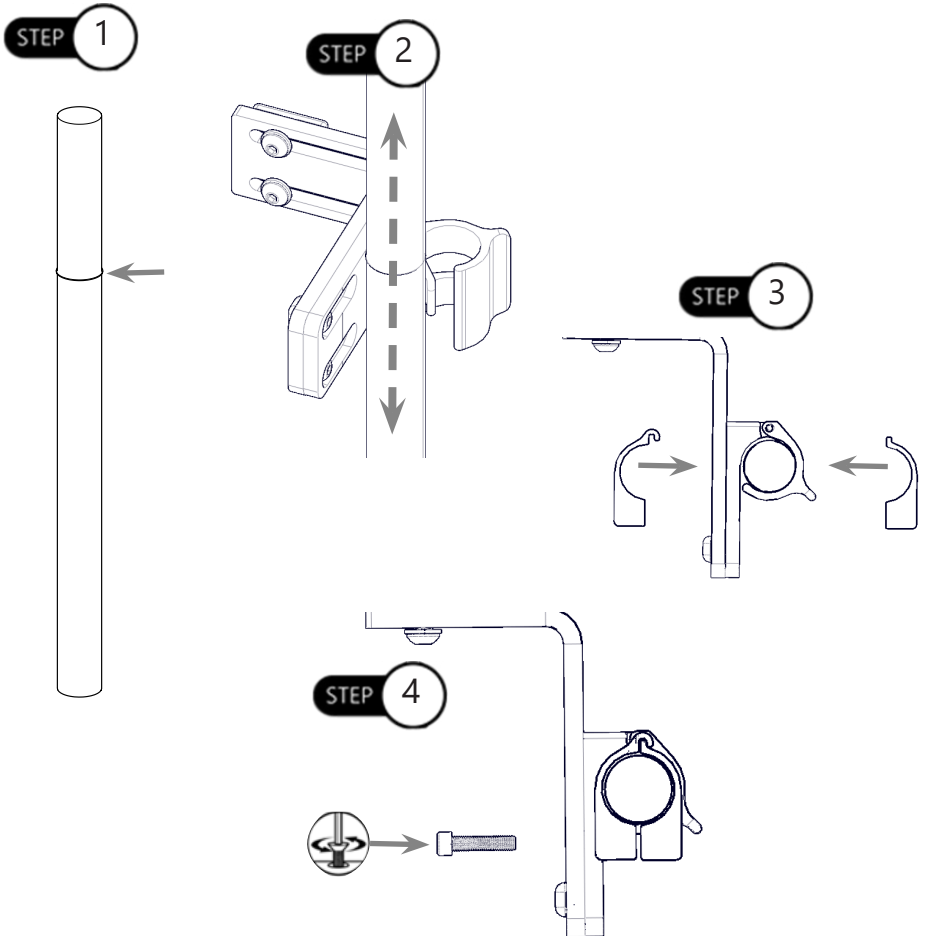




## Clamp Assembly to Wheelchair Back Post

### 9.6

- Step One:** Visually determine the desired height of the TFB. Mark on each back post the needed location to attach the clamp assemblies.
- Step Two:** Open the Swing Away Clamp (B1), then line the hardware with the post vertically.
- Step Three:** Add the Male and Female Tube Stop Clamps (B6+B7).
- Step Four:** Use the 10-32 x 7/8" Socket Head Screw (B8) to tighten the Tube Stop Clamps together.
- Step Five:** To achieve proper alignment, slightly move the mounting hardware in or out and/or up and down. Make adjustments until the backrest smoothly attaches and removes from the top and bottom receiving posts. After final adjustments are complete, tighten all screws to torque. This will ensure secure placement and safe operation.



## Maintenance

### 14.1

These care and guideline instructions will keep the hardware and covers in good condition for a longer period of time and prevent damage:

- Check and re-tighten all fasteners to the proper torque specifications on a regular basis. Reference the installation manual to find proper torque specs.
- Repair or replace parts as needed.
- Gently remove dust and dirt from hardware with a damp cloth.

## Cleaning

### 14.1

- Use a soft cloth to clean the hardware.
- Ensure all cleaners are approved for finished steel, aluminum, plastic, and upholstered surfaces.
- Full cleaning and maintenance instructions can be found in the TFB Back Manual.

#### **CAUTION**

Always check all mounting hardware, making sure each fastener is properly tightened before using the back support.

#### **SAFETY**

Replace or repair parts as needed.

#### **CAUTION**

250lbs (113.40 kg) user weight limit.

#### **NOTICE**

**Altering a back in any way and/or improper installation will void the warranty.**





Stealth Products, LLC. • [info@stealthproducts.com](mailto:info@stealthproducts.com) • [www.stealthproducts.com](http://www.stealthproducts.com)  
+1(800) 965-9229 | +1(512) 715-9995 | 104 John Kelly Drive, Burnet TX 78611