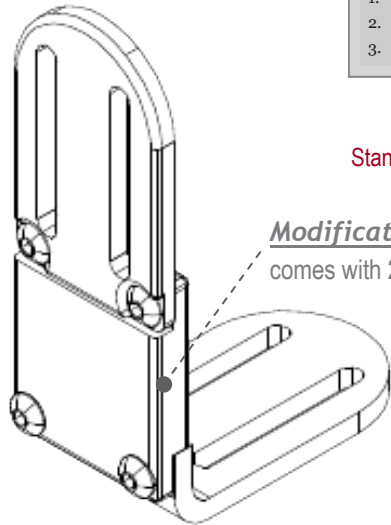


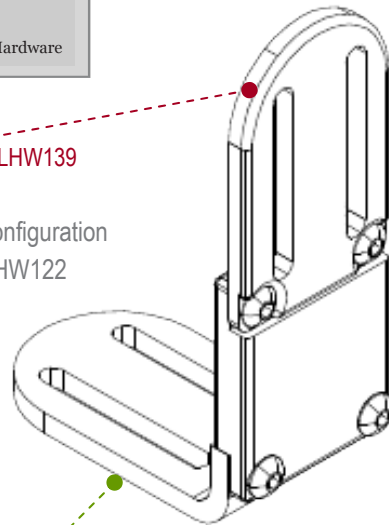
### Standard Configuration

\*Pad included w/ part # LP410  
Specify Pad size upon ordering

**LP410-L**



**LP410-R**



#### The LP410 Includes:

1. Flush Pad Mount
2. 2" Height Adaptor
3. "L" Bracket Mounting Hardware

**Pad Mount**  
Standard 3" Pad Mount LHW139

**Modifications** - Standard configuration comes with 2" Height Adaptor LHW122

**Mounting Hardware**  
Pelvic Planar Mount - LPHW405

### LP410

The LP410 is a versatile fixed thigh adductor bracket that is designed to be fully modular to accommodate the needs of almost any client. The standard configuration comes with a 3 inch flush pad mount, 2 inch height adaptor and a standard 4 inch "L" Bracket for mounting to the seat pan. A variety of different sized pad mounts, offsets, mounting hardware and adjustable modifications are available to get any configuration you need.

### TECHNICAL DATA

1. 5/32 tool for 1/4- 20 button head screws.(Pad Mounts, Mounting Hardware, Mods)

### SELLING POINTS

1. Heavy duty fixed hardware is sturdy and reliable.
2. Smooth finished edging on every piece.
3. Fully modular to accommodate the needs of almost any client.

### STANDARD CONFIGURATION DIMENSIONS

#### Profile View

<b>Pad Mount</b>	<b>3"</b>
<b>"L" Bracket</b>	<b>4"</b>
<b>Standard Mod Height Adaptor</b>	<b>2.5"</b>

Use these standard dimensions to determine which modifications you will need. See back for height adaptors, offsets or alternate pad mounts

<b>7" Flush Pad Mount</b>	<b>LHW-142</b>
<b>6" Flush Pad Mount</b>	<b>LHW-141</b>
<b>5" Flush Pad Mount</b>	<b>LHW-140</b>
<b>3" Flush Pad Mount</b>	<b>LHW-139</b>

<b>1" Offset Adaptor</b>	<b>LHW-121</b>
<b>2" Offset Adaptor</b>	<b>LHW-123</b>
<b>1" Height Adaptor</b>	<b>LHW-120</b>
<b>2" Height Adaptor</b>	<b>LHW-122</b>
<b>3" Height Adaptor</b>	<b>LHW-124</b>

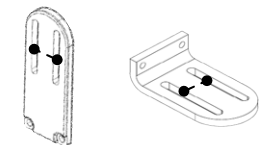
**Pad Mount** - 3 inch Flush Pad Mount - LHW-139

<b>2GTR Track Nut</b>	<b>LTHW503</b>
<b>Universal Track Nut</b>	<b>LPHW403</b>
<b>Pelvic Planar Mount</b>	<b>LPHW405</b>
<b>All Season Bracket</b>	<b>LPHW404</b>

Permobil Uni-Track System  
Quantum/Invacare Power Chairs  
Standard for mounting to seat pans  
Width Adjustable Planar Mount

#### Mounting Hardware

Pelvic Planar Mount - LPHW405

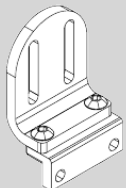


Standard pad mounts and "L" brackets have 1" slot spacing.

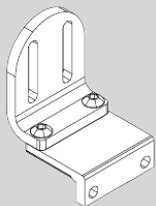
## Offsets

\*Each part # includes offset adaptor with standard offset pad mount

Offsets can be added to accommodate hip width for growth in the seat.

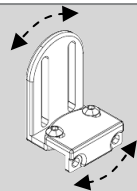


**1" Offset Adaptor** – LHW-121



**2" Offset Adaptor** – LHW-123

## 20° Adjustable Pad Mount



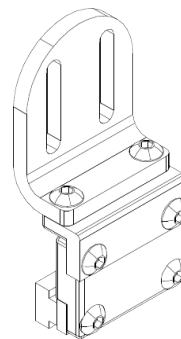
Add the 20° Adjustable pad mount for lateral angle adjustment. Generally used to accommodate clients whose legs are windswept.

**20° Adjustable Pad Mount** – LPHW-406

## Example Configuration

### **LP410**

This example configurations is shown with a 1 inch offset, 1 inch height adaptor, and a track nut for mounting hardware.



## Flush Pad Mounts

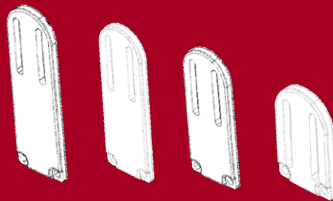
If and offset is not needed, then different sized flush pad mounts can be added in order to achieve the right height for cushion thickness.

**7" Flush Pad Mount** – LHW-142

**6" Flush Pad Mount** – LHW-141

**5" Flush Pad Mount** – LHW-140

**3" Flush Pad Mount** – LHW-139



7"

6"

5"

3"

## Mounting Hardware

Different mounting hardware is available for different manufacturers chairs and other configurations

**2" Track** – SBHD-234

**3" Track** – SBHD-235

**6" Track** – SBHD-233

**7" Track** – SBHD231

**8" Track** – SBHD-236

**10" Track** – SBHD-140

**12" Track** – SBHD-232

**14" Track** – SBHD-237

**16" Track** – SBHD-238

**18" Track** – SBHD-239

### Standard 7" Track

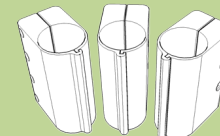


### Cane Mount Clamps

**1"** – LPHW400

**3/4"** – LPHW401

**7/8"** – LPHW402

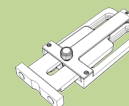


### Anti Rotation Nuts – LHW-145



Used for mounting hardware or pad mounting to prevent rotation in the slots.

### All Season Bracket – LPHW404



Width adjustable planar mount

### 2GTR Nut – LTHW503



Can be used with the Permobil Unitrack system.

### Universal Track Nut – LPHW403



Can be used with Invacare and Quantum power chairs

### Pelvic Planar Mount – LPHW405



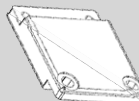
Standard for mounting to seat pans

## Height Adaptors

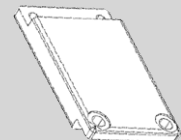
Height adaptors can be used in conjunction with offsets to achieve the height needed for cushion thickness.



**1" Height Adaptor** – LHW-120



**2" Height Adaptor** – LHW-122



**3" Height Adaptor** – LHW-124