

### Standard Configuration

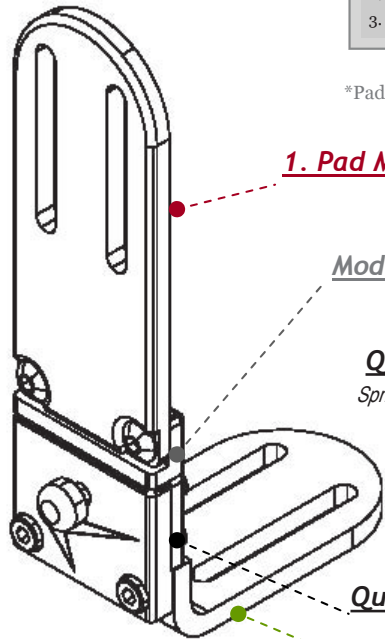
**LP430-L**

The LP430 Includes:

1. Flush Pad Mount
2. Quick Release Mechanism
3. "L" Bracket Mounting Hardware

\*Pad not included w/ part # LP420

**LP430-R**



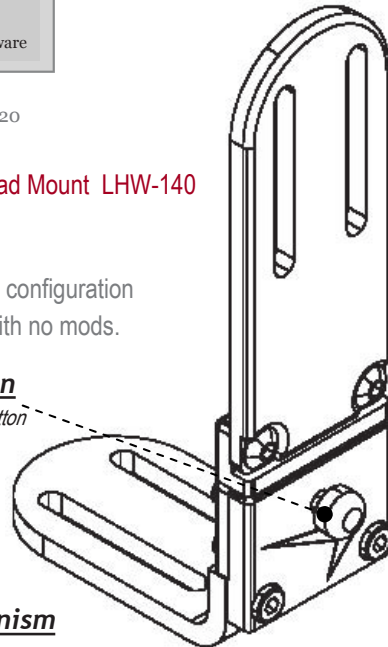
**1. Pad Mount** - 5 inch Flush Pad Mount LHW-140

**Modifications** - Standard configuration comes with no mods.

**Quick Release Button**  
Spring Loaded Quick Release Button

**Quick Release Mechanism**

**Mounting Hardware**  
Pelvic Planar Mount - LPHW405



### LP430

The LP430 is an extremely versatile removable thigh adductor bracket that is designed to be fully modular to accommodate the needs of almost any client. The standard configuration comes with a 5 inch flush pad mount, quick release mechanism and a standard 4 inch "L" Bracket for mounting to the seat pan. A variety of different sized pad mounts, offsets, mounting hardware and adjustable modifications are available to get any configuration you need.

### TECHNICAL DATA

1. 5/32 tool for 1/4– 20 button head screws. (Pad Mounts, Mods)
2. 3/16 tool for 1/4–20 socket head screws. (Mounting Hardware)

### SELLING POINTS

1. Push button quick release mechanism, easily removable to transfer client from chair..
2. Smooth finished edging on every piece.
3. Fully modular to accommodate the needs of almost any client.

### STANDARD CONFIGURATION DIMENSIONS

#### Profile View

<b>Pad Mount</b>	<b>5"</b>
<b>"L" Bracket</b>	<b>4"</b>
<b>Quick Release Mechanism</b>	<b>2.375"</b>

Use these standard dimensions to determine which modifications you will need. See back for height adaptors, offsets or alternate pad mounts

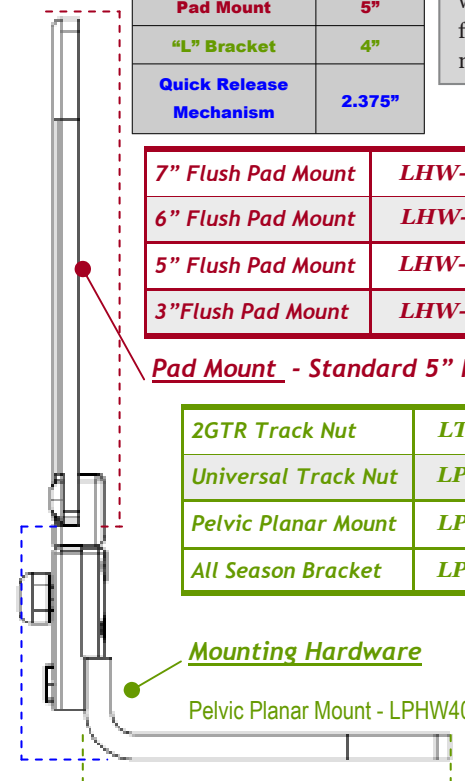
<b>7" Flush Pad Mount</b>	<b>LHW-142</b>
<b>6" Flush Pad Mount</b>	<b>LHW-141</b>
<b>5" Flush Pad Mount</b>	<b>LHW-140</b>
<b>3" Flush Pad Mount</b>	<b>LHW-139</b>

<b>1" Offset Adaptor</b>	<b>LHW-121</b>
<b>2" Offset Adaptor</b>	<b>LHW-123</b>
<b>1" Height Adaptor</b>	<b>LHW-120</b>
<b>2" Height Adaptor</b>	<b>LHW-122</b>
<b>3" Height Adaptor</b>	<b>LHW-124</b>

**Pad Mount** - Standard 5" Flush Pad Mount - LHW-140

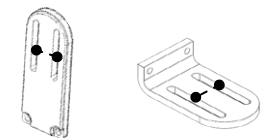
<b>2GTR Track Nut</b>	<b>LTHW503</b>
<b>Universal Track Nut</b>	<b>LPHW403</b>
<b>Pelvic Planar Mount</b>	<b>LPHW405</b>
<b>All Season Bracket</b>	<b>LPHW404</b>

- Permobil Uni-Track System
- Quantum/Invacare Power Chairs
- Standard for mounting to seat pans
- Width Adjustable Planar Mount



**Mounting Hardware**

Pelvic Planar Mount - LPHW405

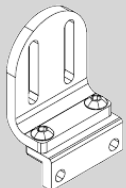


Standard pad mounts and "L" brackets have 1" slot spacing.

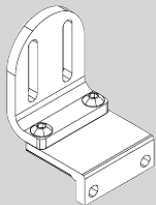
## Offsets

\*Each part # includes offset adaptor with standard offset pad mount

Offsets can be added to accommodate hip width for growth in the seat.

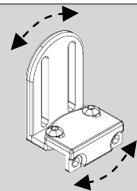


**1" Offset Adaptor** – LHW-121



**2" Offset Adaptor** – LHW-123

## 20° Adjustable Pad Mount



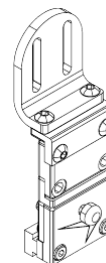
Add the 20° Adjustable pad mount for lateral angle adjustment. Generally used to accommodate clients whose legs are windswept. (Adds 1 inch offset)

**20° Adjustable Pad Mount** – LPHW-406

## Example Configuration

### **LP430**

This example configurations is shown with a 1 inch offset, 1 inch height adaptor, and a track nut for mounting hardware.



## Flush Pad Mounts

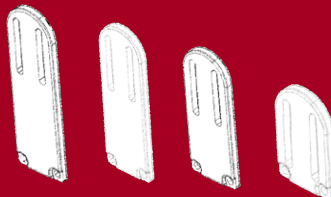
If and offset is not needed, then different sized flush pad mounts can be added in order to achieve the right height for cushion thickness.

**7" Flush Pad Mount** – LHW-142

**6" Flush Pad Mount** – LHW-141

**5" Flush Pad Mount** – LHW-140

**3" Flush Pad Mount** – LHW-139



7"

6"

5"

3"

## Mounting Hardware

Different mounting hardware is available for different manufacturers chairs and other configurations

**2" Track** – SBHD-234

**3" Track** – SBHD-235

**6" Track** – SBHD-233

**7" Track** – SBHD231

**8" Track** – SBHD-236

**10" Track** – SBHD-140

**12" Track** – SBHD-232

**14" Track** – SBHD-237

**16" Track** – SBHD-238

**18" Track** – SBHD-239

### Standard 7" Track

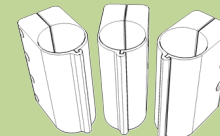


### Cane Mount Clamps

**1"** – LPHW400

**3/4"** – LPHW401

**7/8"** – LPHW402

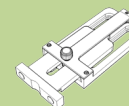


### Anti Rotation Nuts – LHW-145



Used for mounting hardware or pad mounting to prevent rotation in the slots.

### All Season Bracket – LPHW404



Width adjustable planar mount

### 2GTR Nut – LTHW503



Can be used with the Permobil Unitrack system.

### Universal Track Nut – LPHW403



Can be used with Invacare and Quantum power chairs

### Pelvic Planar Mount – LPHW405



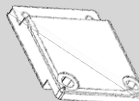
Standard for mounting to seat pans

## Height Adaptors

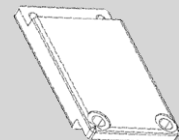
Height adaptors can be used in conjunction with offsets to achieve the height needed for cushion thickness.



**1" Height Adaptor** – LHW-120



**2" Height Adaptor** – LHW-122



**3" Height Adaptor** – LHW-124