

+1 (512) 715-9995
 +1 (800) 965-9229 Toll Free
 +1 (512) 715-9954 Fax
 +1 (800) 806-1225 Toll Free Fax

104 John Kelly Drive,
 Burnet, TX 78611
 info@stealthproducts.com
 www.stealthproducts.com
 facebook.com/StealthProducts

PO#: Type:

Customer:

Branch: Date:

Contact:

E-mail:

Phone: Fax:

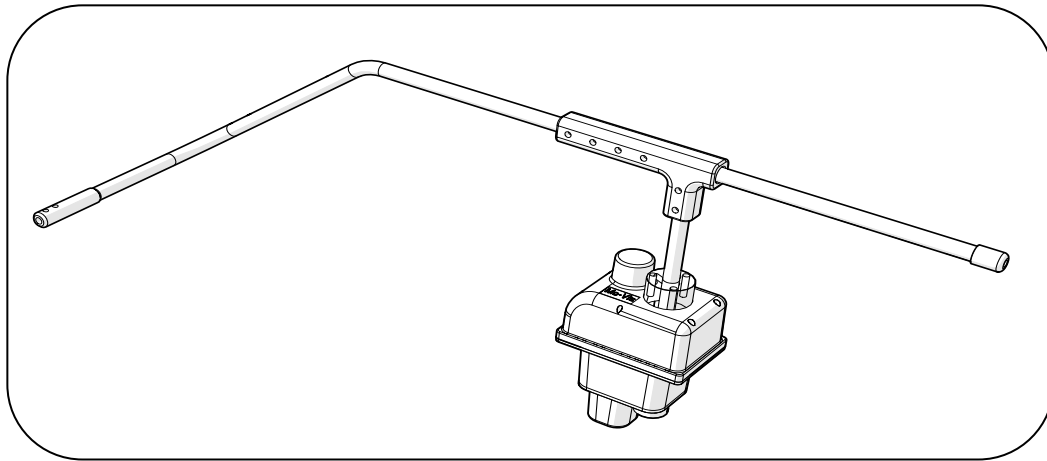


DRIVE CONTROLS

IDM-PCB-L



QTY ____



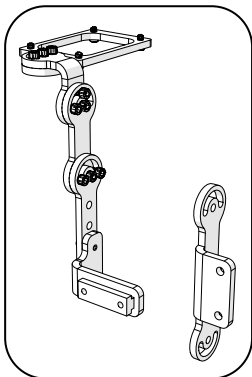
IDM-PCB-R



QTY ____

MSRP \$3,570.00

Mounting Packages

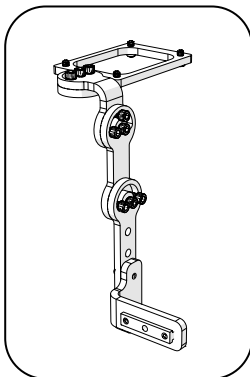


Quantum Hardware

Qty. PN
 ____ DBM100-1



MSRP \$740.25

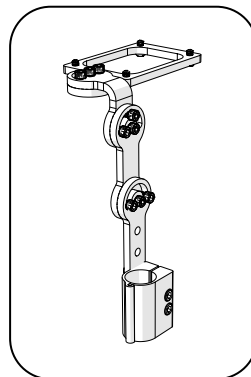


Permobil Hardware

Qty. PN
 ____ DBM00-2



MSRP \$740.25



Cane Hardware

Qty. PN
 ____ DBM100-3



MSRP \$740.25

Power Adaptors



| Qty. | PN | Description | MSRP |
|--------------------------|----------------|-------------|----------|
| <input type="checkbox"/> | ____ IC24PS-RN | Permobil | \$294.00 |



| Qty. | PN | Description | MSRP |
|--------------------------|----------------|-------------|----------|
| <input type="checkbox"/> | ____ IC24PS-QL | Quantum | \$294.00 |

Mark for: PO#: