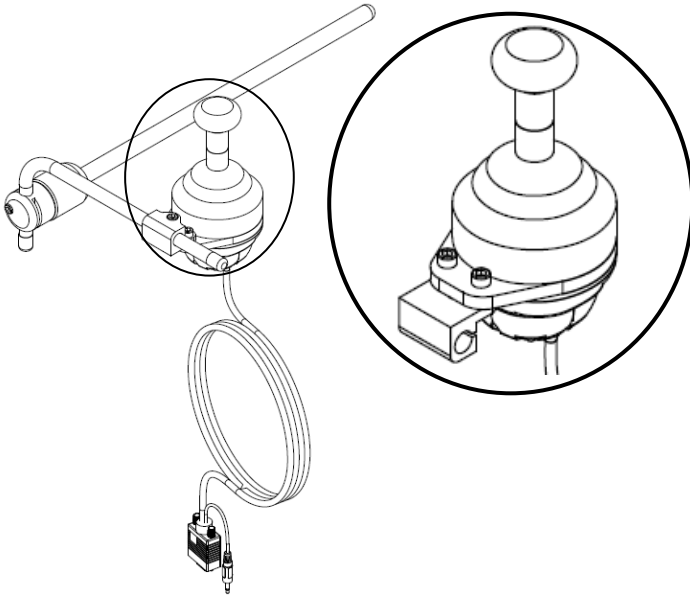


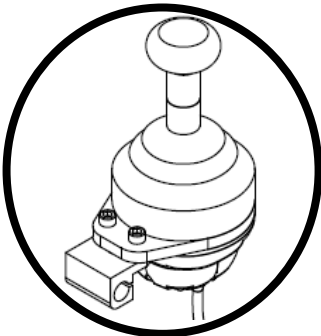


Installation Manual



IDM-HDMT

IDM-HD Gatlin Mount for GAT400 Series



INSTALLATION INSTRUCTIONS FOR

Stealth Products: IDM-HD

mo-Vis: P002-73

Stealth Commitment

1.1

Stealth Products strives for 100% customer satisfaction. Your complete satisfaction is important. Please contact us with feedback or suggested changes that will help improve the quality and usability of our products. You may reach us at:



Stealth Products, LLC

104 John Kelly Drive, Burnet, TX 78611

Phone: (512) 715-9995

Toll Free: 1(800) 965-9229

Fax: (512) 715-9954

Toll Free: 1(800) 806-1225

info@stealthproducts.com

www.stealthproducts.com



MDSS GmbH

Schiffgraben 41

30175 Hannover, Germany



Installation Date: _____

Dealer: _____




Dealer Stamp:

Serial Number:

Warning Labels

6.1

Warnings are included for the safety of the user, client, operator and property. Please read and understand what the signal words **SAFETY**, **NOTICE**, **CAUTION**, **WARNING** and **DANGER** mean, how they could affect the user, those around the user, and property.

 DANGER	Identifies an imminent situation which (if not avoided) will result in severe injury, death, and property damage .
 WARNING	Identifies a potential situation which (if not avoided) will result in severe injury, death, and property damage .
 CAUTION	Identifies a potential situation which (if not avoided) will result in minor to moderate injury, and property damage .
NOTICE	Identifies important information not related to injury, but possible property damage .
SAFETY	Indicates steps or instructions for safe practices, reminders of safe procedures, or important safety equipment that may be necessary.

Limited Liability

6.2

Stealth Products, LLC accepts no liability for personal injury or damage to property that may arise from the failure of the user or other persons to follow the recommendations, warnings, and instructions in this manual.

Stealth Products does not hold responsibility of final integration of final assembly of product to end user. Stealth Products is not liable for user death or injury.

Testing

6.3

Initial setup and driving should be done in an open area free of obstacles until the user is fully capable of driving safely.

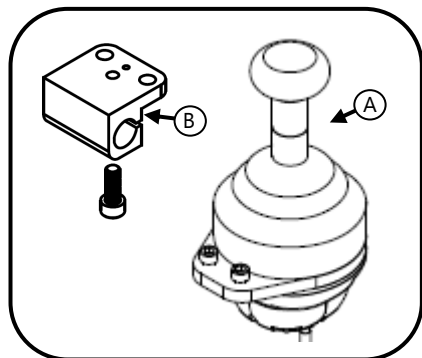
The hardware should always be tested without any person sitting in the wheelchair until every alteration of the physical installation or adjustment is complete.

1.0 Customer Satisfaction	i
1.1 Stealth Commitment	i
2.0 Warnings	ii
2.1 Warning Labels	ii
2.2 Limited Liability.....	ii
2.3 Testing.....	ii
3.0 Table of Contents.....	iii
4.0 Parts and Accessories	1
4.1 Mounting Hardware Parts	1
4.2 Tools Required	1
5.0 Installation Instructions	2
5.1 Installing the Joystick	2
6.0 Maintenance	
6.1 Maintenance	4
6.2 Cleaning.....	4
7.0 Warranty	5
7.1 In Case of Product Failure	5

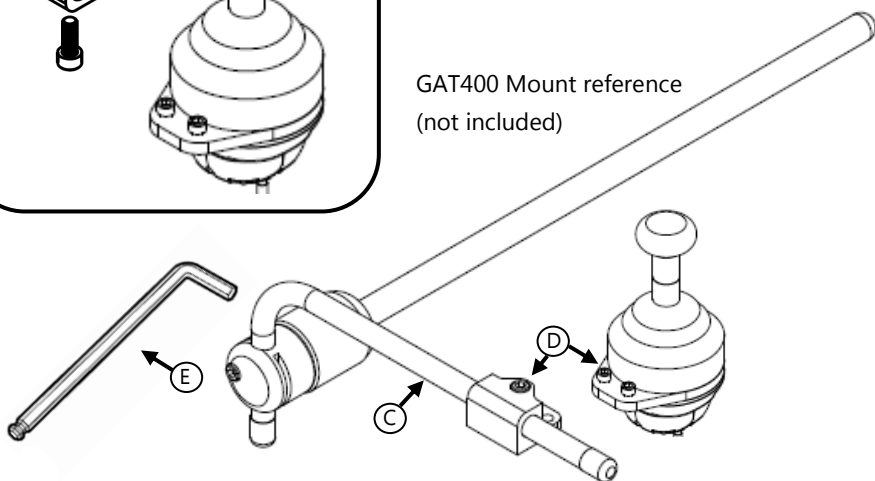
Mounting Hardware Parts

4.1

Heavy Duty Joystick includes GAT400-142



GAT400 Mount reference
(not included)



	Item	Description
A	HD Joystick	mo-Vis Heavy Duty Joystick
B	GAT400-142	Gatlin Mount for the Heavy Duty Joystick
C	GAT400P	Gatlin 8 Position Armrest Mount
D	Socket Head Screws	M6 x 1 x 16mm Socket Head Screws (3)
E	T-Handle	5mm T-Handle

Torque specifications for the M6 x 1 x 16mm Socket Head Screws is 20.3Nm.

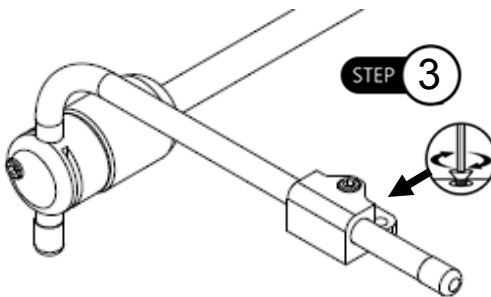
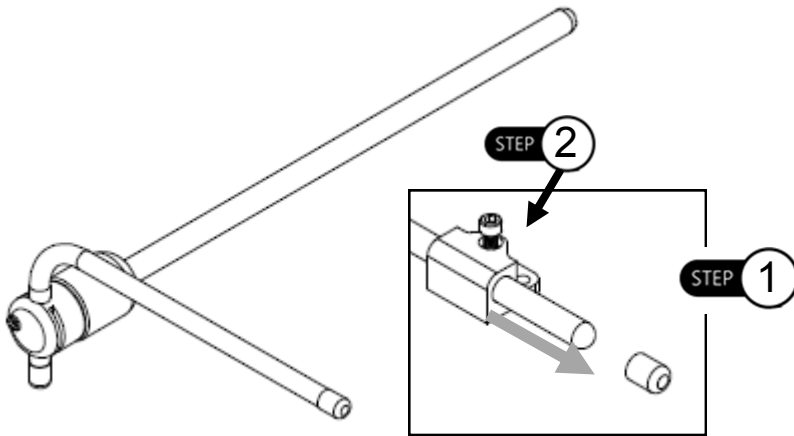
Installing the Joystick

5.1

Step 1: Remove the bar plug from the Gatlin mount arm (A).

Step 2: Slide the mounting block (B) onto the arm.

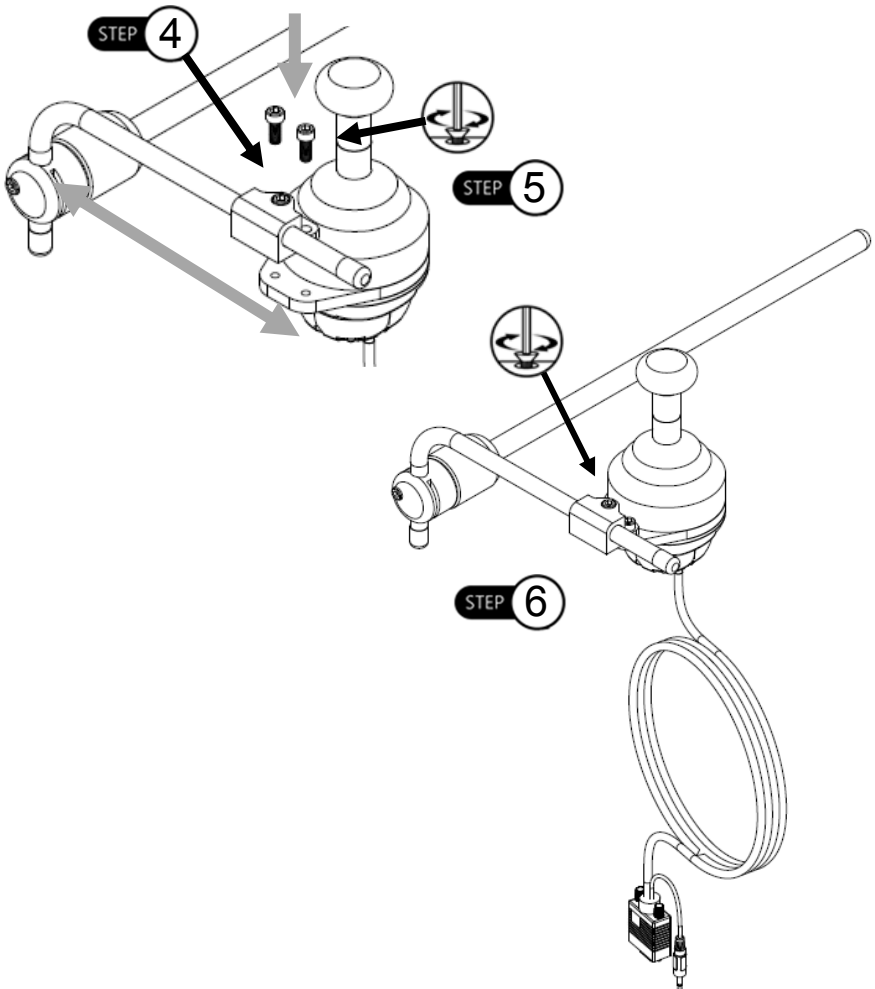
Step 3: Adjust the position of the clamp along the Gatlin arm and tighten the screw with 5mm T-Handle. Tighten the screw to the suggested torque specifications.



⚠ CAUTION

DO NOT OVER TIGHTEN SCREWS. This could cause wearing of screws or joystick threads, causing the client to lose efficient control.

- Step 4:** Align the top of the joystick mounting edge to the base of the mounting hardware on the Gatlin arm.
- Step 5:** Insert the two M6 screws through the holes on the mounting hardware and through the mounting area on the joystick.
- Step 6:** Tighten and secure the screws to the proper torque specifications. Check that all screws are secure and that the joystick does not shift from its position.



Maintenance

6.1

- Check every 6 months that screws are tight. Tighten any screws that may have become loose to their proper torque specifications.
- Maintain that the hardware is clean and free of dust.

Cleaning

6.2

- Wash away surface dirt and grime with a mild detergent and rinse away.
- Use a damp cloth to rub away any remaining dirt.
- Rinse thoroughly with clean water.

Our products are designed, manufactured, and produced to the highest of standards. If any defect in material or workmanship is found, Stealth Products will repair or replace the product at our discretion. Any implied warranty, including the implied warranties of merchantability and fitness for a particular purpose, shall not extend beyond the duration of this warranty. Stealth Products does not warrant damage due to, but not limited to:

- Misuse, abuse, or misapplication of products.
- Modification of product without written approval from Stealth Products, LLC.
- Any alteration or lack of serial number, where applicable, will automatically void this warranty.
- Stealth Products, LLC is liable for replacement parts only.
- Stealth Products, LLC is not liable for any incurred labor costs.

No person is authorized to alter, extend, or waive the warranties of Stealth Products, LLC.

Stealth Products warrants against failure due to defective materials or workmanship:

Covers: 2 years

Hardware: 5 years

Electronics: 3 years

In Case of Product Failure

7.1

In the event of product failure covered by our warranty, please follow the procedures outlined below:

1. Call Stealth at +1 (512) 715-9995 or toll free +1-800-965-9229.
2. Request the Returns Department or obtain an RA from the Returns Department and follow department or documentation instructions.



Stealth Products, LLC. • info@stealthproducts.com • www.stealthproducts.com
+1(800) 965-9229 | +1(512) 715-9995 | 104 John Kelly Drive, Burnet TX 78611