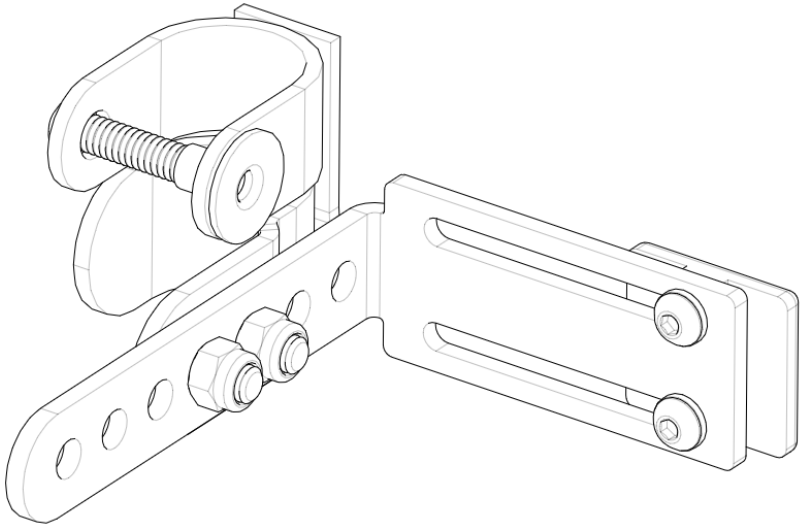


Stealth Products[®]

Backs and Support



OWNER MANUAL



J&L Hardware

TFB Hardware J&L Owner's Manual

Stealth Products strives for 100% customer satisfaction. Your complete satisfaction is important. Please contact us with feedback or suggested changes that will help improve the quality and usability of our products.

You may reach us at:



Stealth Products, LLC

104 John Kelly Drive, Burnet, TX 78611

Phone: (512) 715-9995

Toll Free: 1(800) 965-9229

Fax: (512) 715-9954

Toll Free: 1(800) 806-1225

info@stealthproducts.com

www.stealthproducts.com



MDSS GmbH

Schiffgraben 41

30175 Hannover, Germany



General

Read and understand all instructions prior to the use of the product. Failure to adhere to instructions and warnings in this document may result in property damage, injury, or death. Product misuse due to failure of the following instructions will void the warranty.

Immediately discontinue use if any function is compromised, parts are missing, loose, or shows signs of excessive wear. Consult with your supplier for repair, adjustment, or replacement.

Important Information!

All persons responsible for fitting, adjustment, and daily use of the devices discussed in these instructions must be familiar with and understand all safety aspects of the devices mentioned. In order for our products to be used successfully, you must:

- Read and understand all instructions and warnings.
- Maintain our products according to our instructions on care and maintenance.
- Devices should be installed and adjusted by a trained technician.

Supplier Reference

Supplier: _____

Telephone: _____

Address: _____

Purchase Date: _____

Model: _____

The installation instructions will guide you through the options and possibilities with the product.

Instructions are written with the expressed intent of use with standard configurations. They also contain important safety and maintenance information, as well as describe possible problems that can arise during use. For further assistance, or more advanced applications, please contact your supplier or Stealth Products at (512) 715-9995 or toll free at 1-800-965-9229.

Always keep the operating instructions in a safe place so they may be referenced as necessary.

All information, pictures, illustrations, and specifications are based on the product information that was available at the time of printing. Pictures and illustrations shown in these instructions are representative examples and are not intended to be exact depictions of the various parts of the product.

CAUTION

These products are designed to be fitted, applied, and installed exclusively by a health care professional trained for these purposes. The fitting, application and installation by a non-qualified individual could result in serious injury.

Ordering Documentation

You can download additional copies of this user manual on the Stealth website: www.stealthproducts.com

Or search:

TFB Hardware J&L Owner's Manual in the search bar at the top of the page.

Our products are designed, manufactured, and produced to the highest of standards. If any defect in material or workmanship is found, Stealth Products will repair or replace the product at our discretion. Any implied warranty, including the implied warranties of merchantability and fitness for a particular purpose, shall not extend beyond the duration of this warranty. Stealth Products, LLC does not warrant damage due to, but not limited to:

- Misuse, abuse, or misapplication of products.
- Modification of product without written approval from Stealth Products, LLC.
- Any alteration or lack of serial number, where applicable, will automatically void this warranty.
- Stealth Products, LLC is liable for replacement parts only.
- Stealth Products, LLC is not liable for any incurred labor costs.

No person is authorized to alter, extend, or waive the warranties of Stealth Products, LLC.

Stealth Products warrants against failure due to defective materials or workmanship:

Covers: 180 days

Hardware: 5 years

Electronics: 3 years

In Case of Product Failure

In the event of product failure covered by our warranty, please follow the procedures outlined below:

1. Call Stealth Products at +1 (512) 715-9995 or toll free at +1 (800) 965-9229.
2. Request the Returns Department or obtain a Return Authorization (RA) from the Returns Department and follow department documentation instructions.

1.0 Customer Satisfaction	i
2.0 Important Information	ii
3.0 Introduction	iii
4.0 Warranty	iv
5.0 Table of Contents	v
6.0 Warning Labels	vii
6.1 Warning Labels	vii
6.2 Limited Liability.....	vii
6.3 Testing	vii
7.0 Parts and Accessories	1
7.1 J&L Hardware Package	1
7.2 J&L Hardware Kit - Mount	2
7.3 J&L Hardware Kit - Latch Assembly.....	3
7.4 J&L Hardware Kit - Back-Post Clamp.....	4
8.0 Features	5
8.1 J&L Hardware Features.....	5
8.2 Angle Adjustment.....	5
8.3 Depth Adjustment	6
8.4 Width Adjustment	7
9.0 Installation Instructions	9
9.1 Preparations.....	9
9.2 Tools.....	9
9.3 Installation Plan	9
9.4 Required Tools/ Torque Chart	10
9.5 Installing the Hardware to the Back.....	11
9.6 Clamp Assembly to Wheelchair Back Post.....	12

10.0 Maintenance..... 13

 10.1 General Maintenance..... 13

 10.2 Cleaning 13

11.0 Notes..... 14

Warning Labels

6.1

Warnings are included for the safety of the user, client, operator and property. Please read and understand what the signal words **SAFETY, NOTICE, CAUTION, WARNING** and **DANGER** mean, how they could affect the user, those around the user, and property.

DANGER

Identifies an **imminent** situation which (if not avoided) will result in **severe injury, death, and property damage**.

WARNING

Identifies an **potential** situation which (if not avoided) will result in **severe injury, death, and property damage**.

CAUTION

Identifies an **potential** situation which (if not avoided) will result in **minor to moderate injury, and property damage**.

NOTICE

Identifies important information not related to injury, but possible **property damage**.

SAFETY

Indicates steps or instructions for safe practices, reminders of safe procedures, or important safety equipment that may be necessary.

Limited Liability

6.2

Stealth Products, LLC accepts no liability for personal injury or damage to property that may arise from the failure of the user or other persons to follow the recommendations, warnings, and instructions in this manual.

Stealth Products does not hold responsibility for final integration of final assembly of product to end user. Stealth Products is not liable for user death or injury.

Testing

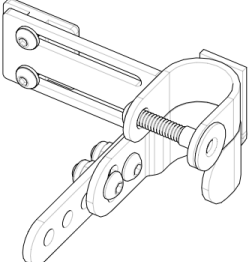
6.3

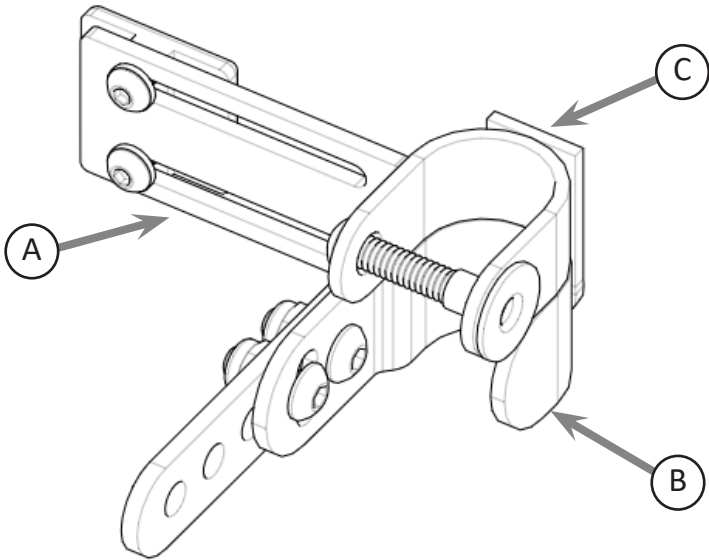
Initial setup and driving should be done in an open area free of obstacles until the user is fully capable of driving safely.

J&L Hardware Package

7.1

The following hardware is included for the mounting hardware:

Part Number*	Product Description*	
TFBMDM11 TFBMDM14 TFBMDM18 TFBMDM21	2 Pt or 4Pt All Purpose (Knob) Complete Mounting Kit	

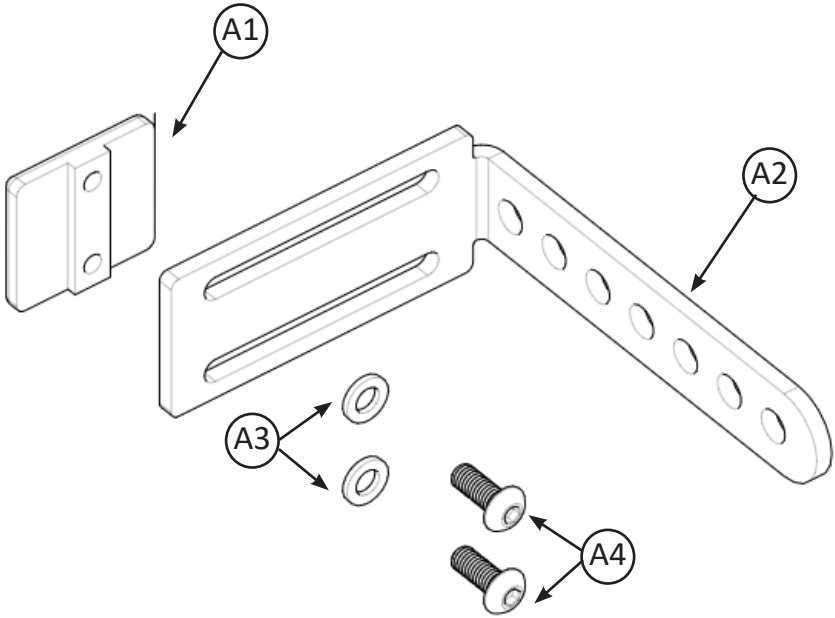


ID	Description
A	Mount
B	Latch Assembly
C	Back-Post Clamp Assembly

Note: The exact item number will depend on whether you have 2 pt or 4 pt mounting, and whether it is between the canes or full width.

J&L Hardware Kit- Mount

7.2

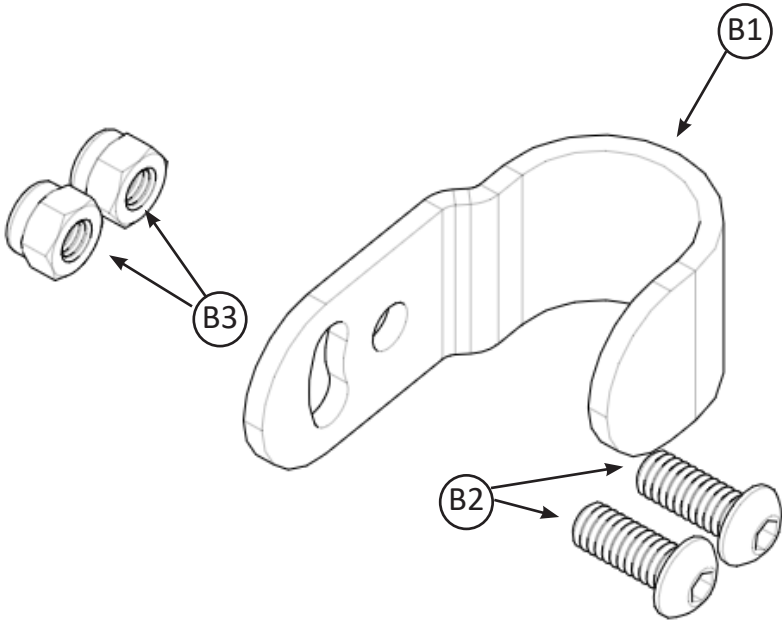


ID	Part Number	Description	Qty.
A1	TFB200-52	NIÑO T-NUT	1
A2	SSS200-124	Slotted Seven Hole Adjustable L Bracket-90 Degrees	1
A3	10 SSW	#10 Stainless Steel Washer	2
A4	10-32 X 1/2" BHS	10-32 x 1/2" Button Head Screw	2

Note: These items will typically come pre-installed on the back

J&L Hardware Kit- Latch Assembly

7.3

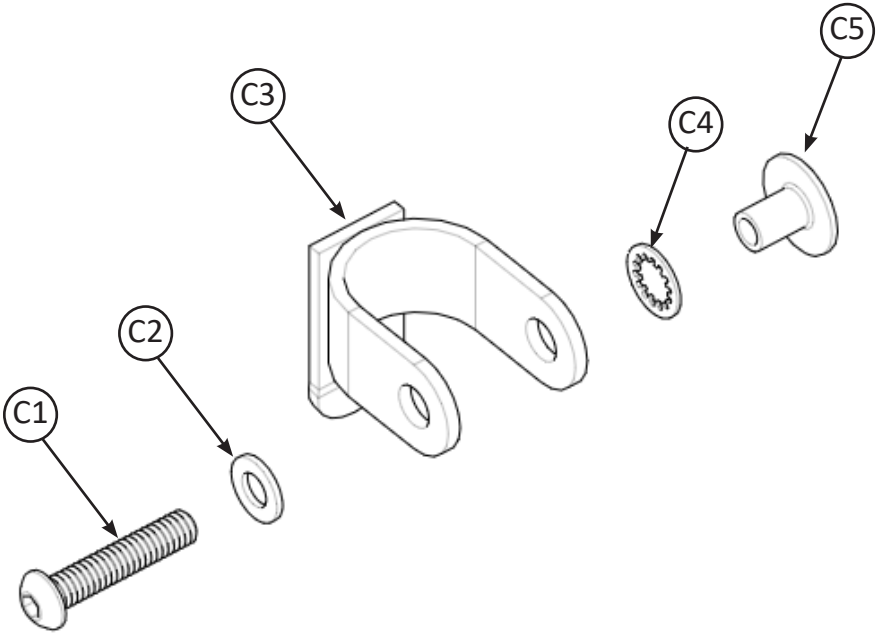


ID	Part Number	Description	Qty.
B1	SSS200-07	1" 2 Hole J-Hook	1
B2	1/4-20 X 5/8" BHS	1/4-20 X 5/8" Button Head Screw	2
B4	1/4-20 LNN	1/4-20 Low Profile Lock Nut with Nylon	2

Note: These items will typically come pre-installed on the back

J&L Hardware Kit- Back-Post Clamp

7.4



ID	Part Number	Description	Qty.
C1	1/4-20 X 1 1/4" BHS	1/4-20 x 1 1/4" Button Head Screw	1
C2	1/4-20 SAE FW	1/4-20 Washer	1
C3	SSS200-36	1" Hold Down Drop Stop Weldment	1
C4	67582247	5/16 410 Internal Tooth-lock Washer	1
C5	1/4-20 X 7/16 RBW	1/4-20 x 7/16 Round Base Weldnut	1

Note: These items will typically come pre-installed on the back

J&L Hardware Features

8.1

The J&L hardware includes features such as angle, width, and depth adjustments.

Angle Adjustment

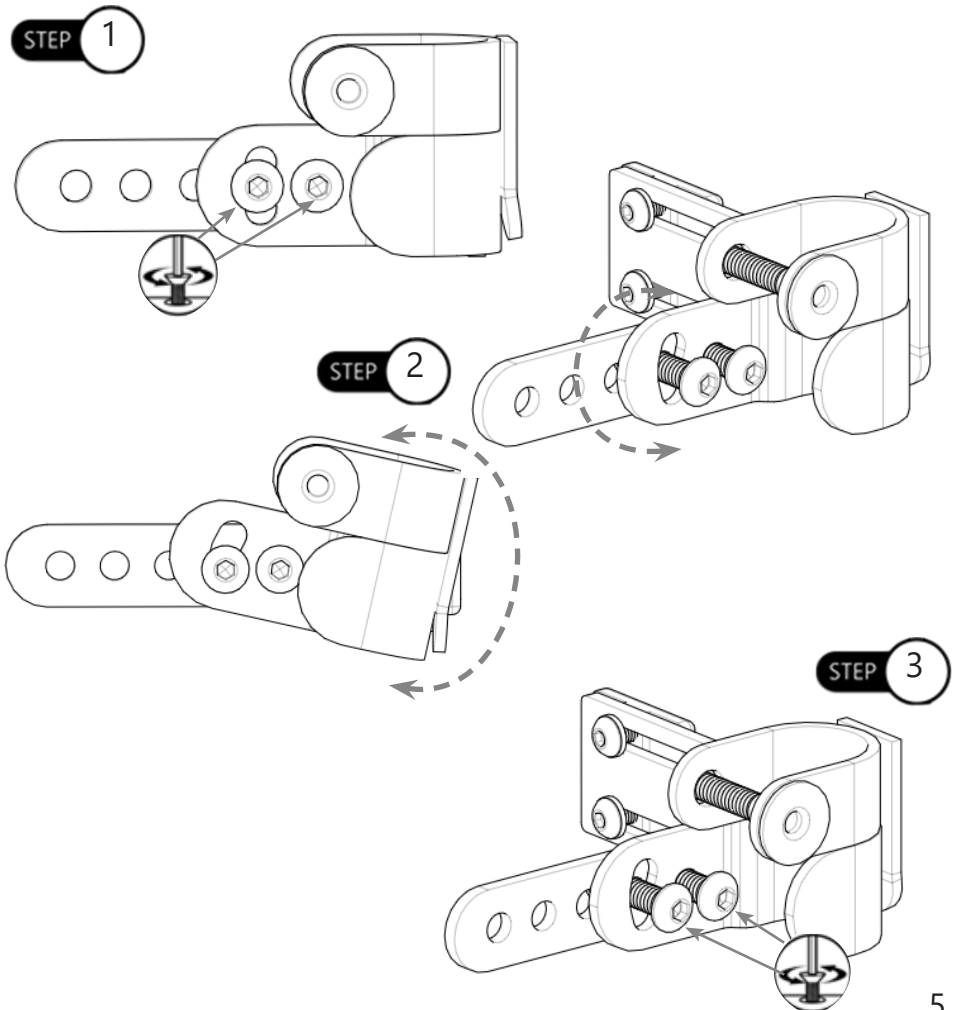
8.2

Step One: Loosen the 1/4-20 X 5/8" Button Head Screws (B2) on the Latch Assembly (B).

Step Two: Position the Back-Post Clamp (C) to the required angle.

Step Three: Secure the Back-Post Clamp (C) in place by tightening the screws (B2).

Step Four: Repeat for other mounting hardware as needed.



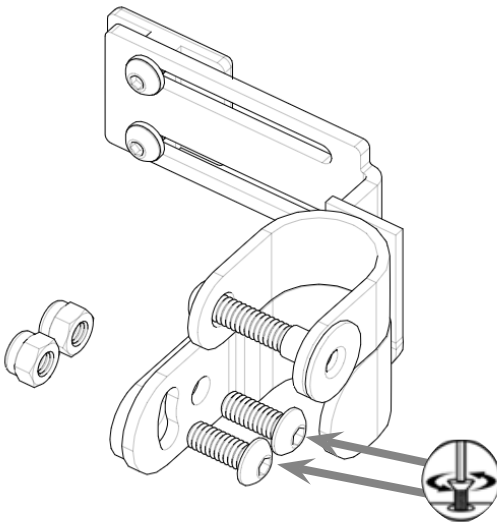
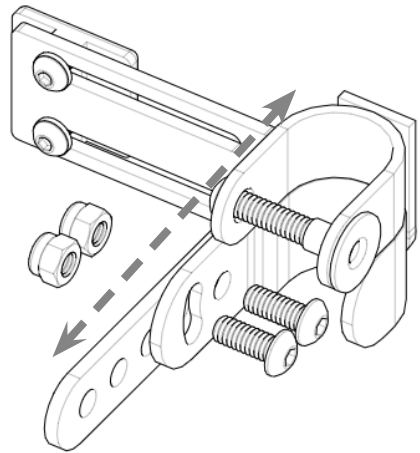
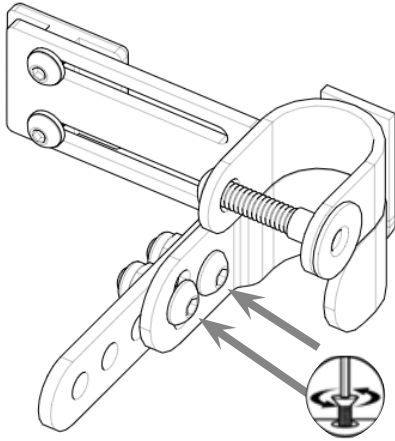
Depth Adjustment

8.3

Step One: Loosen and remove the 1/4-20 X 5/8" Button Head Screws (B2) on the Latch Assembly (B).

Step Two: Position the Back-Post Clamp (C) to the required depth.

Step Three: Secure the Back-Post Clamp (C) in place by tightening the screws (B2).



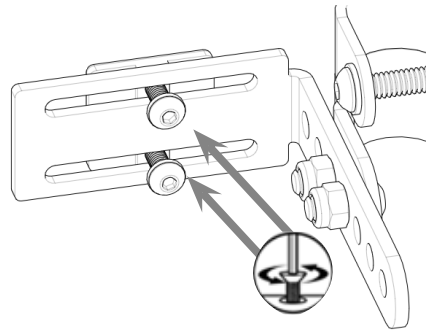
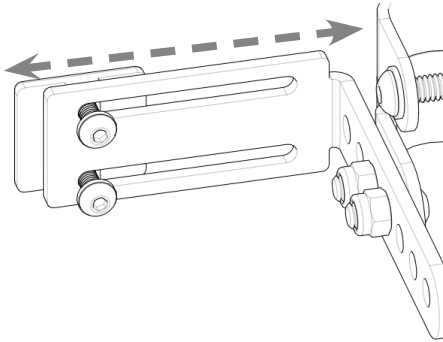
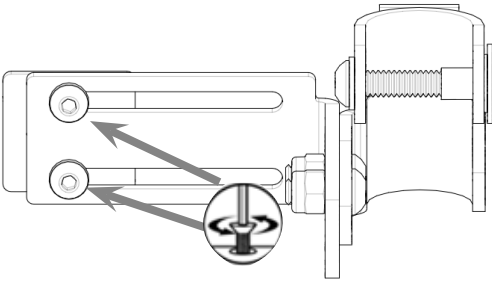
Width Adjustment

8.4

Step One: Loosen the 10-32 x 1/2" Button Head Screws (A4) on the Mount (A).

Step Two: Position the Mount (A) to the required depth.

Step Three: Secure the Mount (A) in place by tightening the screws (A4).



Installation Instructions

Preparations

9.1

Only a qualified service technician may install the TFB back and its accessories.

WARNING

An incorrect installation of the TFB and its accessories may cause damage to the hardware and/or injury to the user.

Tools

9.2

Use the proper tools to install and adjust the TFB to the desired position for the user. Ensure all torque specifications are followed.

CAUTION

The use of improper tools may cause damage to the device. Not tightening to the torque specification can cause components to fail or cause discomfort to the user.

Installation Plan

9.3

Set up an installation plan before beginning the installation. This plan should take into account:

- Where the TFB will be placed as well as applicable laterals and support cushions
- How the TFB will be operated - the functions for the mount and laterals
- Sufficient clearance of other hardware and accessories

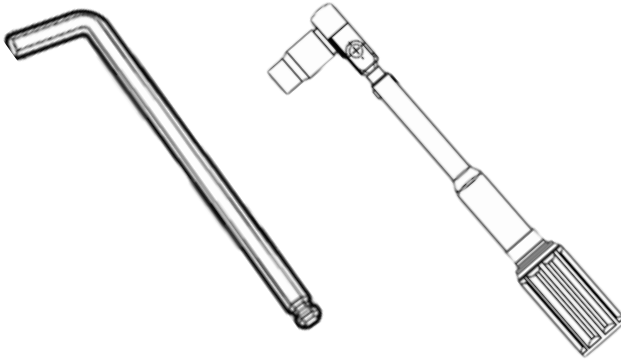
CAUTION

Any connection must always be secured with all delivered screws. Only use the screws provided in the package.

Required Tools

9.4

The tools needed to complete the installation are as follows:



Hardware	Description
5/32" T-Handle	Button Head Screws on Mount (A4),
	Button Head Screws on Latch Assembly (B4)
	Button Head Screw on Back-Post Clamp Assembly (C2)

Tools are not provided. Refer to the manuals for additional accessories for the list of tools required for their installation.

Screws	Torque Specifications
10-32 x 1/2" Button Head Screw (A4)	65in-lbs
1/4-20 x 5/8" Button Head Screw (B2)	125in-lbs
1/4-20 x 1 1/4" Socket Head Screw (C2)	125in-lbs

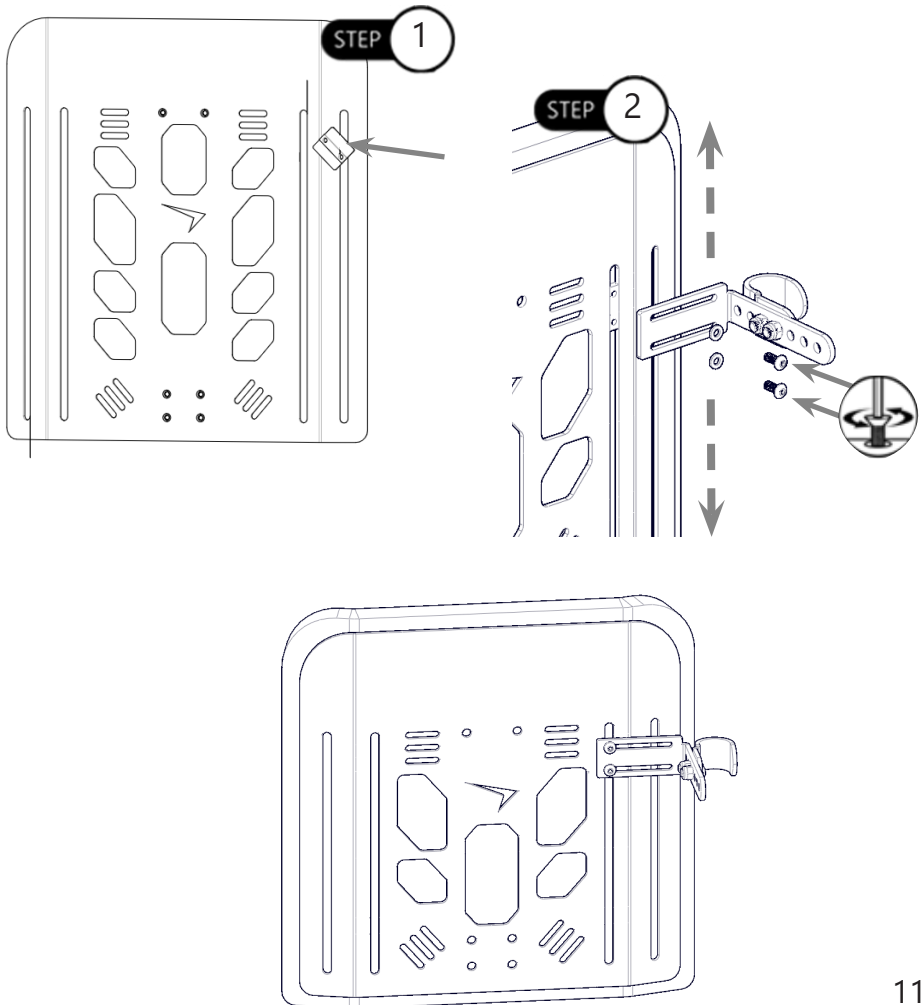
Installing the Hardware to the Back

9.1

Step One: Take the T-nut (A1) and slide behind the aluminum frame of the back.

Step Two: Line the L-bracket (A2) with the T-nut (A1) and ensure it is in the appropriate horizontal and vertical position before securing it with two 10-32 x 1/2" button head screws (A4). Ensure each screw gets a 1/4" washer (A3) before tightening to 125in-lbs of torque.

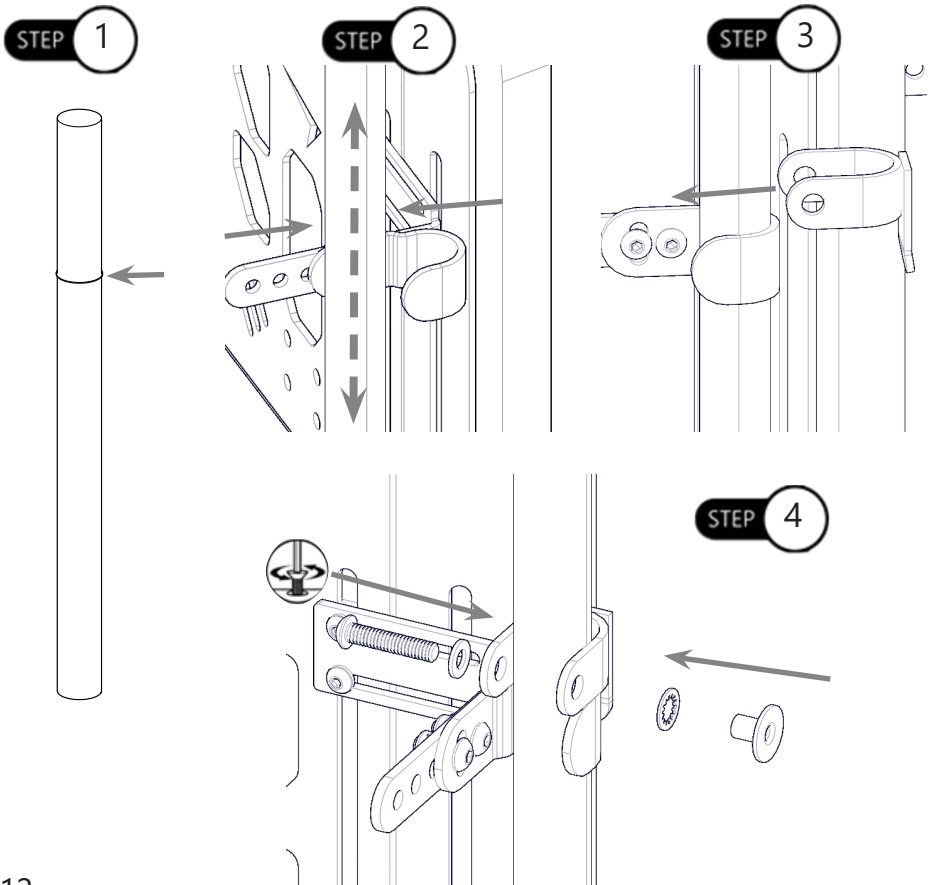
See Section 10.1 for information on adjustment options.



Clamp Assembly to Wheelchair Back Post

9.1

- Step One:** Visually determine the desired height of the TFB. Mark on each back post the needed location to attach the clamp assemblies.
- Step Two:** Slide the Post into the correct vertical position with the J&L Latch Assembly (B).
- Step Three:** Slide the 1" Hold Down Drop Stop Weldment (C3) on top of Latch Assembly (B).
- Step Four:** Slide the 1/4-20 x 1 1/4" Button Head Screw (C1) with a 1/4-20 Washer (C2) on one side of the Hold Down Drop Stop (C3) with the 5/16" Internal Tooth-Lock Washer (C4) and 1/4-20 x 7/16" Weldnut (C5) on the opposing side.
- Step Five:** To achieve proper alignment, slightly move the mounting hardware in or out and/or up and down. Make adjustments until the backrest smoothly attaches and removes from the top and bottom receiving posts. After final adjustments are complete, tighten all screws to torque. This will ensure secure placement and safe operation.



Maintenance

10.1

These care and guideline instructions will keep the hardware and covers in good condition for a longer period of time and prevent damage:

- Check and re-tighten all fasteners to the proper torque specifications on a regular basis. Reference the installation manual to find proper torque specs.
- Repair or replace parts as needed.
- Gently remove dust and dirt from hardware with a damp cloth.

Cleaning

10.1

- Use a soft cloth to clean the hardware.
- Ensure all cleaners are approved for finished steel, aluminum, plastic, and upholstered surfaces.
- Full cleaning and maintenance instructions can be found in the TFB Back Manual.

CAUTION

Always check all mounting hardware, making sure each fastener is properly tightened before using the back support.

SAFETY

Replace or repair parts as needed.

CAUTION

250lbs (113.40 kg) user weight limit.

NOTICE

Altering a back in any way and/or improper installation will void the warranty.

