

**Stealth Products**



**USER MANUAL**

Head Support Hardware



## TFBN-HRHW

---

Stealth's User Manual and Maintenance Guide for  
the TFBN Headrest Hardware

Stealth Products strives for 100% customer satisfaction. Your complete satisfaction is important. Please contact us with feedback or suggested changes that will help improve the quality and usability of our products. You may reach us at:



Stealth Products, LLC

104 John Kelly Drive, Burnet, TX 78611

Phone: (512) 715-9995

Toll Free: 1(800) 965-9229

Fax: (512) 715-9954

Toll Free: 1(800) 806-1225

info@stealthproducts.com

www.stealthproducts.com



MDSS GmbH

Schiffgraben 41

30175 Hannover, Germany



## General

Read and understand all instructions prior to the use of the product. Failure to adhere to instructions and warnings in this document may result in property damage, injury, or death. Product misuse due to failure of the following instructions will void the warranty.

Immediately discontinue use if any function is compromised, parts are missing, loose, or show signs of excessive wear. Consult with your supplier for repair, adjustment, or replacement.

If this document contains information you do not understand, or there are concerns about safety or operation, contact your supplier.

## Important Information!

All persons responsible for fitting, adjustment, and daily use of the devices discussed in these instructions must be familiar with and understand all safety aspects of the devices mentioned. In order for our products to be used successfully, you must:

- Read and understand all instructions and warnings.
- Maintain our products according to our instructions on care and maintenance.
- Devices should be installed and adjusted by a trained technician.

## Supplier Reference

Supplier: \_\_\_\_\_

Telephone: \_\_\_\_\_

Address: \_\_\_\_\_

\_\_\_\_\_

Purchase Date: \_\_\_\_\_

Model: \_\_\_\_\_

Before you install or begin using this product, it is important that you read and understand the content of these operating instructions. These instructions will guide you through the options and possibilities with the TFBN-HRHW.

Instructions are written with the expressed intent of use with standard configurations. They also contain important safety and maintenance information, as well as describe possible problems that can arise during use. For further assistance or more advanced applications, please contact your supplier or Stealth Products at (512) 715-9995 or toll free at 1-800-965-9229.

Always keep the operating instructions in a safe place so they may be referenced as necessary.

All information, pictures, illustrations, and specifications are based on the product information that was available at the time of printing. Pictures and illustrations shown in these instructions are representative examples and are not intended to be exact depictions of the various parts of the product.

## Ordering Documentation

You can download additional copies of this user manual on the Stealth website:

<https://stlpro.site/stealth-docs>

and search: *TFBN-HRHW User Manual* in the search bar at the top of the page.

Our products are designed, manufactured, and produced to the highest of standards. If any defect in material or workmanship is found, Stealth Products will repair or replace the product at our discretion. Any implied warranty, including the implied warranties of merchantability and fitness for a particular purpose, shall not extend beyond the duration of this warranty. Stealth Products, LLC does not warrant damage due to, but not limited to:

- Misuse, abuse, or misapplication of products.
- Modification of product without written approval from Stealth Products, LLC.
- Any alteration or lack of serial number, where applicable, will automatically void this warranty.
- Stealth Products, LLC is liable for replacement parts only.
- Stealth Products, LLC is not liable for any incurred labor costs.

No person is authorized to alter, extend, or waive the warranties of Stealth Products, LLC.

Stealth Products warrants against failure due to defective materials or workmanship:

Covers: 2 years

Hardware: 5 years

Electronics: 3 years

## In Case of Product Failure

In the event of product failure covered by our warranty, please follow the procedures outlined below:

1. Call Stealth at +1 (512) 715-9995 or toll free +1-800-965-9229.
2. Request the Returns Department or obtain an

<b>1.0 Customer Satisfaction</b> .....	<b>i</b>
<b>2.0 Important Information</b> .....	<b>ii</b>
<b>3.0 Introduction</b> .....	<b>iii</b>
<b>4.0 Warranty</b> .....	<b>iv</b>
<b>5.0 Table of Contents</b> .....	<b>v</b>
<b>6.0 Warning Labels</b> .....	<b>vii</b>
6.1 Warning Labels .....	vii
6.2 Limited Liability .....	vii
6.3 Testing .....	vii
<b>7.0 Parts and Accessories</b> .....	<b>1</b>
7.1 Intended Use .....	1
7.2 Parts and Accessories .....	1
7.3 Tools Required .....	1
<b>8.0 Installation Instructions</b> .....	<b>2</b>
8.1 Installation Instructions .....	2
8.2 Hardware Mounting .....	2
8.3 Headrest Mounting .....	3
<b>9.0 Positioning</b> .....	<b>4</b>
9.1 Height Adjustment .....	4
9.2 Depth Adjustment .....	4
9.3 Headrest Adjustment .....	5
<b>10.0 Maintenance</b> .....	<b>6</b>
10.1 Maintenance .....	6
10.2 Cleaning .....	6
10.3 Disinfecting .....	7

## Warning Labels

### 6.1

Warnings are included for the safety of the user, client, operator and property. Please read and understand what the signal words **SAFETY**, **NOTICE**, **CAUTION**, **WARNING** and **DANGER** mean, how they could affect the user, those around the user, and property.

#### **DANGER**

Identifies an **imminent** situation which (if not avoided) will result in **severe injury, death, and property damage**.

#### **WARNING**

Identifies a **potential** situation which (if not avoided) will result in **severe injury, death, and property damage**.

#### **CAUTION**

Identifies a **potential** situation which (if not avoided) will result in **minor to moderate injury, and property damage**.

#### **NOTICE**

Identifies important information not related to injury, but possible **property damage**.

#### **SAFETY**

Indicates steps or instructions for safe practices, reminders of safe procedures, or important safety equipment that may be necessary.

## Limited Liability

### 6.2

Stealth Products, LLC accepts no liability for personal injury or damage to property that may arise from the failure of the user or other persons to follow the recommendations, warnings, and instructions in this manual.

## Testing

### 6.3

Initial setup and driving should be done in an open area free of obstacles until the user is fully capable of driving safely.

The TRBN-HRHW should always be tested without any person sitting in the wheelchair until every alteration of the physical installation or adjustment of the hardware is complete.

## Intended Use

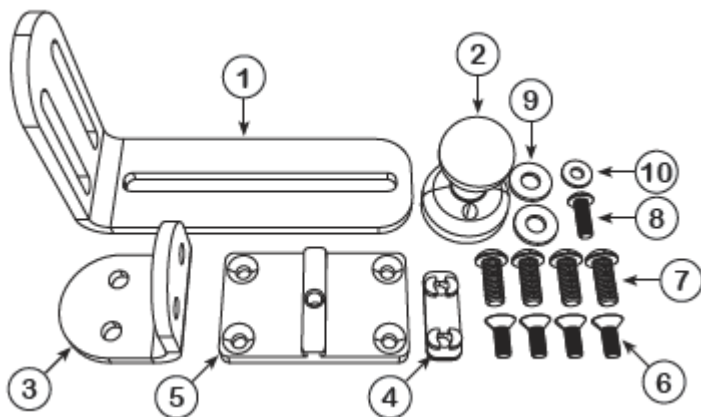
### 7.1

The TFBN-HRHW is a specially designed hardware to mount to one of Stealth's various headrests onto our Ultra Lightweight Pediatric Back (TFBN), utilizing a 1" mounting ball. With two planes of adjustment, you have the ability to position the headrest's height and depth to orient your client's head perfectly.

## Parts and Accessories

### 7.2

- |                               |                                    |
|-------------------------------|------------------------------------|
| 1. Vertical Bar               | 6. #10-32 x 1/2" Flat Head Screw   |
| 2. 1" Ball                    | 7. 1/4-20 x 5/8" Button Head Screw |
| 3. Horizontal Bar             | 8. #10-32 x 1/2" Button Head Screw |
| 4. 1/4-20 Slot Nut            | 9. 1/4 Flat Washer                 |
| 5. TFB Series Seat Back Mount | 10. #10 Flat Washer                |



## Tools Required

### 7.3

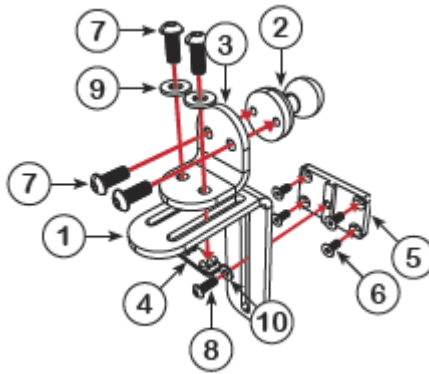
- 1/8" Hex Tool
- 5/32" Hex Tool (Ball End Recommended)



## Installation Instructions

### 8.1

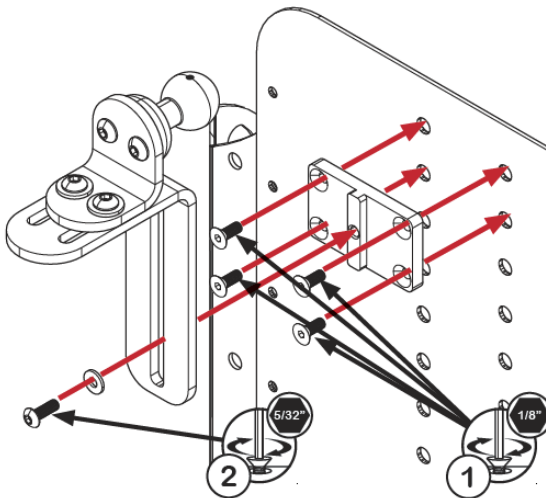
To install the TFBN-HRHW, look at the assembly picture below:



## Hardware Mounting

### 8.2

To mount the TFBN-HRHW to the hardware, follow the instructions below:



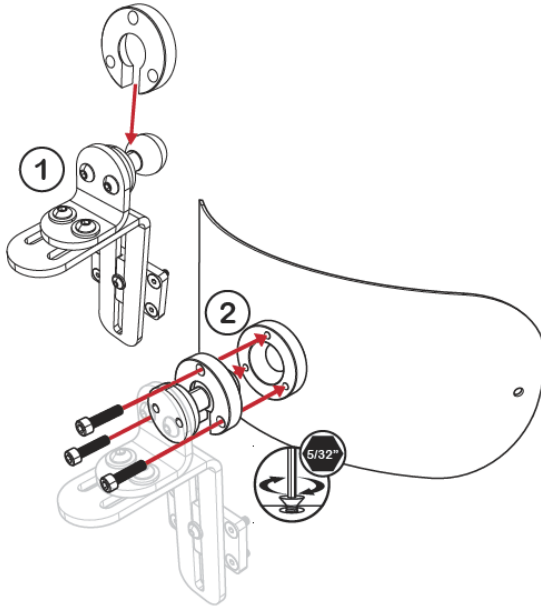
### **⚠ CAUTION**

When tightening screws, turn loosely until the screw stops, then tighten one quarter turn more. Overtightening screws may cause product malfunction and irreversible damage.

## Headrest Mounting

### 8.3

To mount the TFBN-HRHW to the headrest, follow the instructions below:



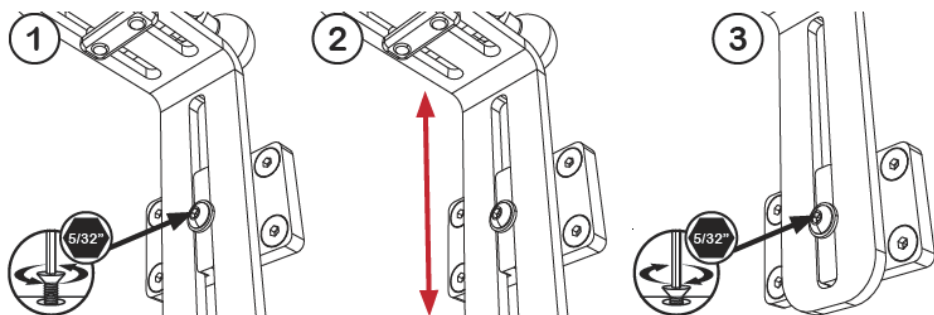
### **⚠ CAUTION**

When tightening screws, turn loosely until the screw stops, then tighten one quarter turn more. Overtightening screws may cause product malfunction and irreversible damage.

## Height Adjustment

### 9.1

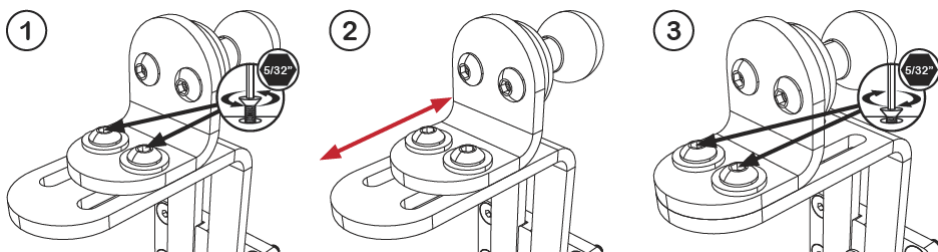
The TFBN-HRHW is height adjustable on the mounting hardware and headrest. To adjust the height on the mounting hardware, follow the instructions below:



## Depth Adjustment

### 9.2

To adjust the depth of the TFBN-HRHW on the mounting hardware, follow the instructions below:



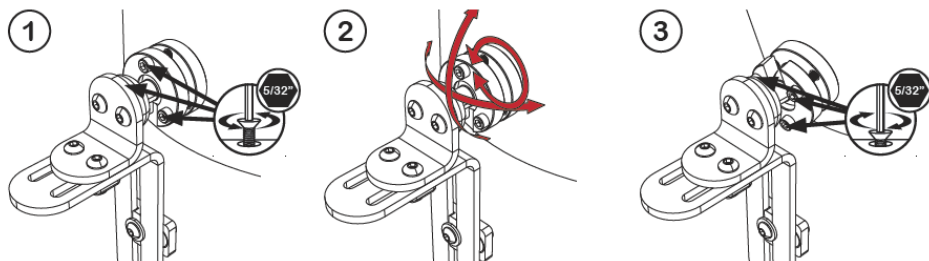
### CAUTION

When tightening screws, turn loosely until the screw stops, then tighten one quarter turn more. Overtightening screws may cause product malfunction and irreversible damage.

## Headrest Adjustment

### 9.3

To adjust the TFBN-HRHW position on the headrest, follow the instructions below:



### CAUTION

When tightening screws, turn loosely until the screw stops, then tighten one quarter turn more. Overtightening screws may cause product malfunction and irreversible damage.

## Maintenance

### 10.1

It is recommended that all products be checked for wear and function on a periodic basis and repaired, if necessary, by a wheelchair professional.

- Repairs should be done with Stealth parts, fasteners, or items appropriate for the service needed.
- Discontinue use after identifying loose or broken components.
- Check and retighten all fasteners according to the installation instructions.
- If you must lubricate a moving part or hinge, do so sparingly using only a product approved for the situation.

## Cleaning

### 10.2

- Positioning accessories can be wiped clean with a damp cloth and mild, nonabrasive cleaner.
- Ensure all cleaners are approved for finished steel, aluminum, plastic, and upholstered surfaces.
- Do not immerse in water or rinse with a water hose.
- Do not coat the metal surface with waxes or silicones.

#### CAUTION

Do not treat any surfaces with silicones, waxes, or preservatives meant for leather or vinyl. These treatments will make the surface slippery and defeat the positioning functions of the product.

## Disinfecting

### 10.3

When needed, surfaces can be wiped with an approved disinfecting product.

- Ensure the disinfectant is approved for finished steel, aluminum, plastic, and non-upholstered surfaces.
- Covers– follow the fabric care labels affixed to the product.
- Fixed covers– Take care to notice the cover's fit to the pad so it can be refitted in the correct orientation.
- Zip the cover closed to avoid catching. Wash in warm water by hand or gentle machine cycle and drop or tumble dry on low heat.
- Some covers consist of different materials for the sides and contact surfaces. For these combinations, take care to wipe clean only.

#### **CAUTION**

Vinyl upholsteries should be wiped clean with mild, nonabrasive cleaner only.

#### **CAUTION**

Never machine wash vinyl. This includes our brushed aluminum, carbon fiber, Biscayne, naugahyde and sparkle upholsteries.





Stealth Products, LLC. • [info@stealthproducts.com](mailto:info@stealthproducts.com) • [www.stealthproducts.com](http://www.stealthproducts.com)  
+1(800) 965-9229 | +1(512) 715-9995 | 104 John Kelly Drive, Burnet TX 78611