

diego

a Stealth Product

| | |
|---------|-------------|
| HCPCS** | E0955 |
| | E1028 |
| HCPCS** | E2293 |
| | E0956 E1028 |
| HCPCS** | E2294 |

**see back cover





Customer Satisfaction

Stealth Products strives for 100% customer satisfaction. Your complete satisfaction is important. Please contact us with feedback or suggested changes that will help improve the quality and usability of our products. You may reach us at:



Stealth Products, LLC
104 John Kelly Drive, Building A, Burnet, Texas 78611
Phone: (512) 715-9995 Toll Free: 1(800) 965-9229
Fax: (512) 715-9954 Toll Free: 1(800) 806-1225
info@stealthproducts.com www.stealthproducts.com



MDSS GmbH
Schiffgraben 41
30175 Hannover, Germany



FOR CONSIDERATION

Configuration might change without notice. Diego System pictures are based on prototype.

*WC20 REQUIREMENT WARNING



*WC20 transit back/seat and hardware requires:
WC18 Restraint, WC19 Base and WC20 Seat/Back.*



Per RESNA WC-4:2012/ISO 16840. For more information visit [this site](#).

**ONLY APPLICABLE IN THE UNITED STATES OF AMERICA

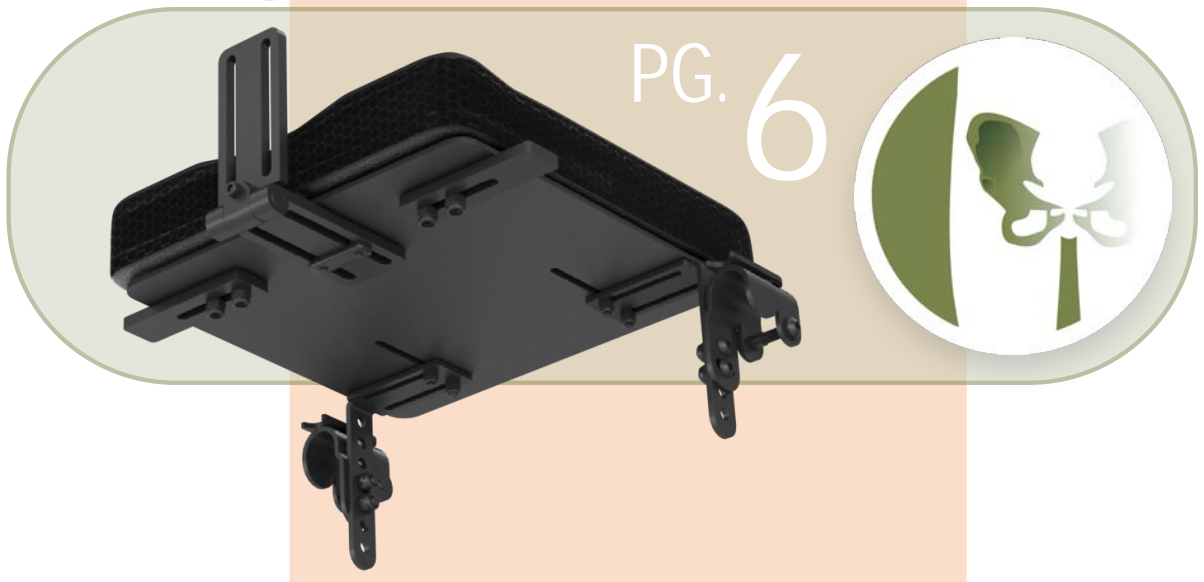
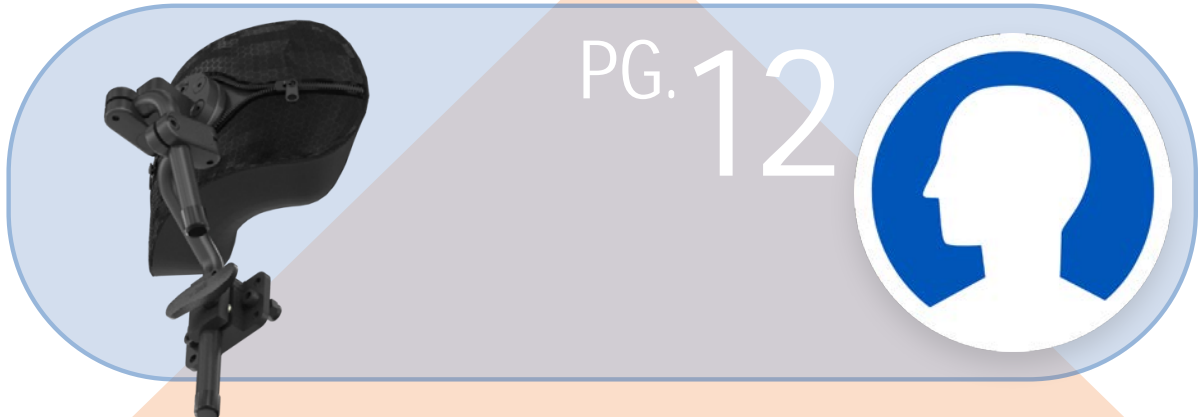


HCPCS codes provided should not be considered as legal advice and do not guarantee reimbursement.

DME providers are responsible for determining appropriate billing codes when submitting for insurance reimbursement.

July 9, 2020 11:23 AM

SECTIONS INDEX



Once Upon A Time



What is the Diego System?

The Diego System was inspired by our ever changing industry and the need for pediatric seating system designed for that market.

Through the years we have discovered that the pediatric end user needs a modular growth seating system. We began to look into how we could incorporate sound positioning features into a next generation seating system that was not just a scaled down version of an adult seat but one designed specifically for a smaller user.

Our design team has been excited to work on this project and we are excited to bring to you the all new Diego System!

One of our customers from Latin America has helped us through this journey. Diego Martin Rios has been a customer of Stealth's for over ten years and has a high focus on pediatrics. When discussing the future of seating with Diego he pointed out key properties in a child's development.

Modularity

If we cannot keep up with a child's growth we would struggle in this space.

Innovation

We needed to focus on our strengths in design and unique function.

diego

a Stealth Product 

Part Number Structure

Seat Packages

| | | | | | |
|---------------------------------|-------------|---|--|--|--|
| DG | S | 10 | 10 | JL | 1 |
| Diego Brand Abbreviation | Seat | Width¹ | Depth¹ | Hardware | Cane Size |
| | | 10 - 10in (25.40 cm) 12 - 12in (30.48 cm) 14 - 14in (35.56 cm) | 10 - 10in (25.40 cm) 12 - 12in (30.48 cm) 14 - 14in (35.56 cm) 16 - 16in (40.64 cm) | JL - J&L Style SO - Snap On | 1 - 1in (2.54 cm) 2 - 7/8in (2.22 cm) 3 - 3/4in (1.91 cm) |

Back Packages

| | | | | | | | |
|---------------------------------|-------------|---|--|--|---------------------|----------|-------------------------|
| DG | B | 10 | 10 | A | C | - | FL |
| Diego Brand Abbreviation | Back | Width¹ | Height¹ | Foam Package | Cover Type | | Mouting Hardware |
| | | 10 - 10in (25.40 cm) 12 - 12in (30.48 cm) 14 - 14in (35.56 cm) | 10 - 10in (25.40 cm) 12 - 12in (30.48 cm) 14 - 14in (35.56 cm) 16 - 16in (40.64 cm) | A 1/2 HR3 Foam 1/4 Closed Cell B 1/2 Medium SunMate® 1/2 HR3 Foam | C - Coolcore | | FL - FlipLock™ |

Head Support Packages

| | | | |
|------------------------------------|--|----------------------|--------------------------|
| CP | 06 | CC | H51 |
| Comfort+ Brand Abbreviation | Pad Size² | Cover Style | Mounting Hardware |
| | 06 - 6in (15.24 cm) 08 - 8in (20.32 cm) | cc - Coolcore | H51 - HMO501 |

1. Width + Height/Depth combination might not be available, check Back/Seat Matrix for more information.
 2. Comfort + pad size are measured differently. Refer to the head support section in this White Paper



Seat Overview

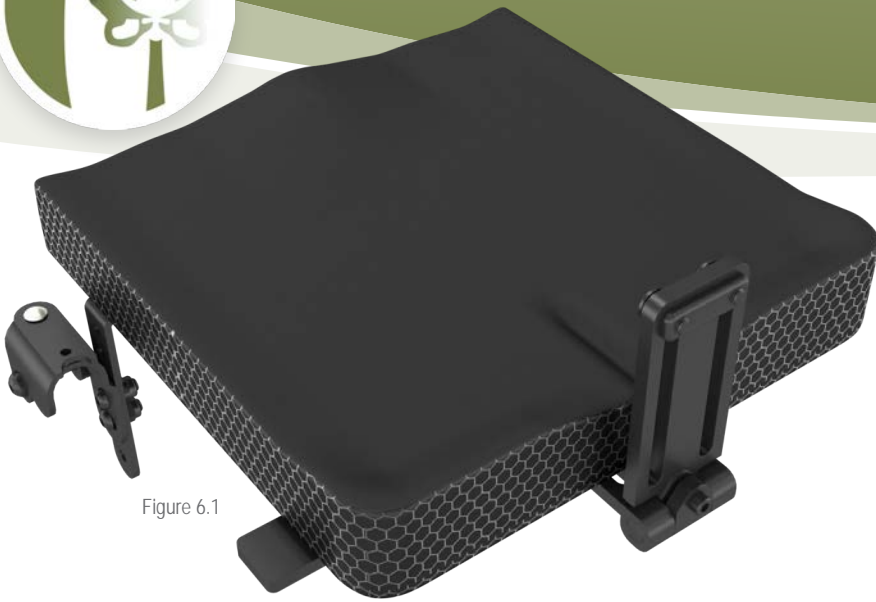


Figure 6.1

Contoured Seat System

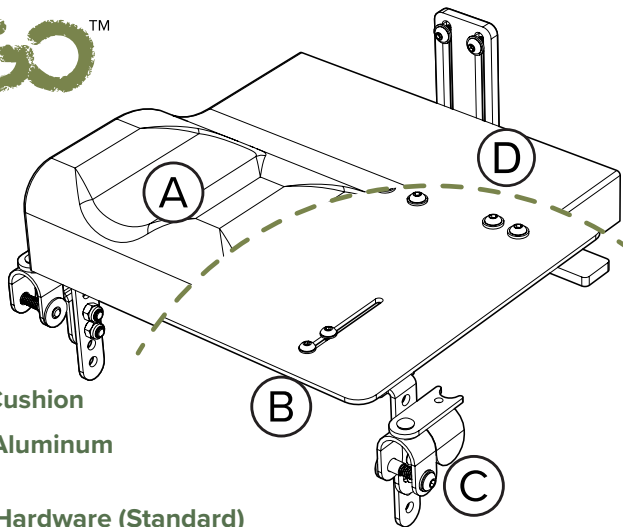
The Diego Seat System has been specifically designed for pediatric users. No more reduced versions of adult products. Its main characteristics are:

1. Minimalistic Design and Simple Ordering
2. Expandable Frame Adaptability
3. Easy Set Up
4. Easy Maintenance
5. On-Demand Configuration

In seating pelvic support is the key factor for proper positioning, the Diego Contoured Seat helps promote a more centralized posture and a good start for better positioning.



Seat System



- (A) Contoured Cushion
- (B) Lightweight Aluminum Seat Shell
- (C) 2 point J&L Hardware (Standard)
- (D) Seat-to-Back Bracket

Figure 6.3

Figure 6.2

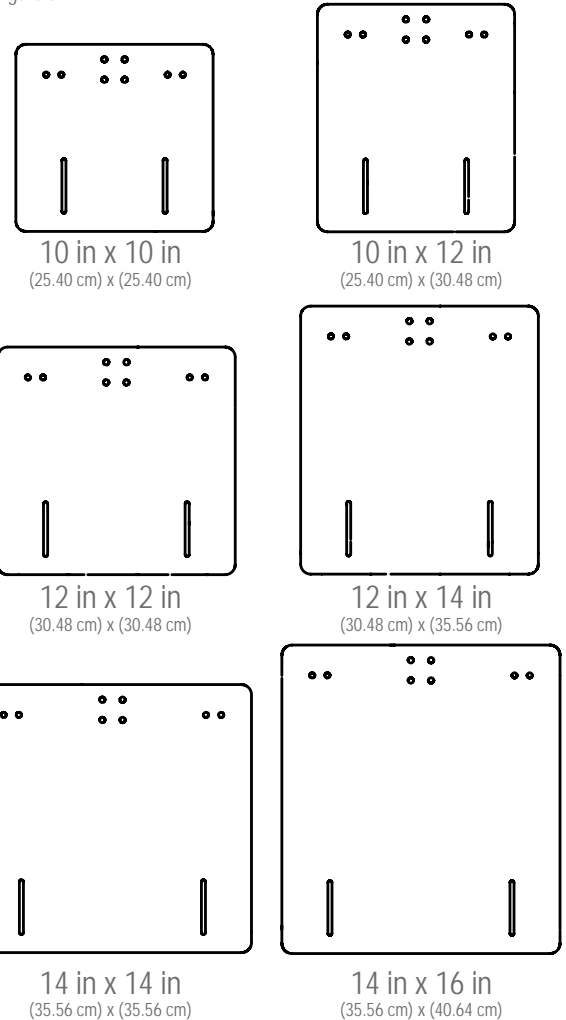


Figure 6.4

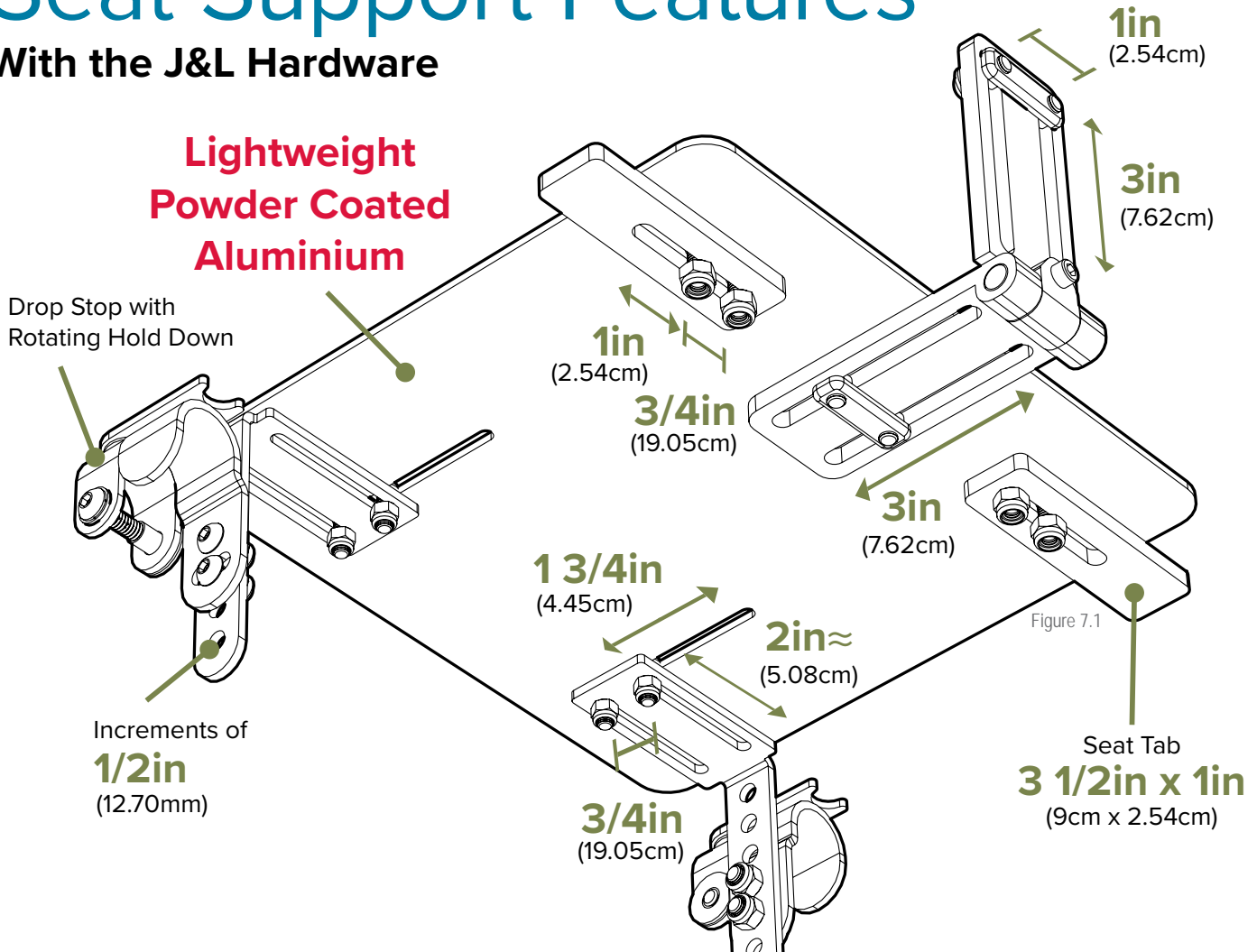
| in (cm) | Depth | 10 | 12 | 14 | 16 |
|------------|-------|---------|---------|---------|---------|
| | | (25.40) | (30.48) | (35.56) | (40.64) |
| 10 (25.40) | Width | ✓ | ✓ | ✗ | ✗ |
| 12 (30.48) | ✗ | ✓ | ✓ | ✗ | |
| 14 (35.56) | ✗ | ✗ | ✓ | ✓ | |

* WC20 transit hardware requires: WC18 Restraint, WC19 Base and WC20 Seat/Back. Per RESNA WC-4:2012/ISO 16840. For more information visit see back cover.



Seat Support Features

With the J&L Hardware



The Diego System Seat has been designed with child's growth in mind without compromising on durability and aesthetics.

With an unobtrusive design the seat can be configured with up to 2in (5.08cm) width growth and 3in (7.62cm) of depth growth, and an incremental of 1/2in (1.27cm) height adjustment.

Diego System has been crash tested to ensure it is safe during transport make it WC20 Certified, which requires a WC19 certified frame as well as certified restrains.

If you are not sure the wheelchair is a WC19 certified frame, check the chair user manual or call its manufacturer. This is important for warranty purposes.

The base is made out of black powder coated aluminum. The J&L hardware and all its elements are made out of black anodized aluminum. The Trouble-Free snap-on mounting option is made out of a combination of black anodized aluminum and black plastic clamps for minimum snap on elasticity.

Contoured Back Overview



Figure 8.1

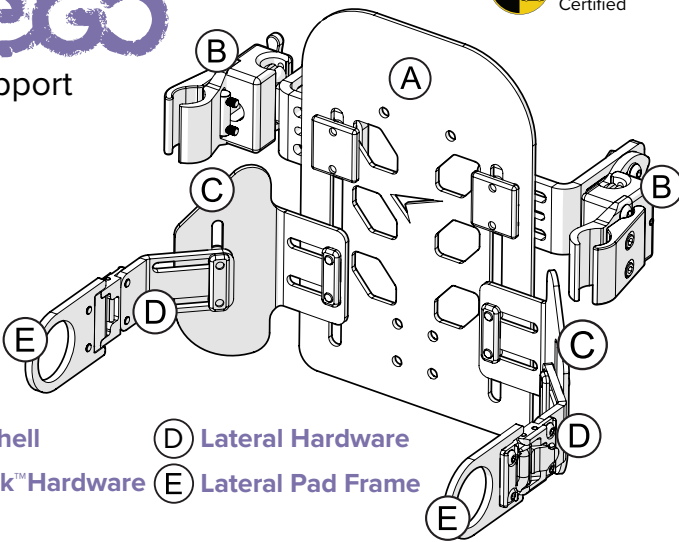
Contoured Back System

The Diego Back System has been specifically designed for pediatric users. No more reduced versions of adult products. Its main characteristics are:

1. Adjustable Contoured Back
2. Growth Adaptability
3. Easy Set Up
4. Easy Maintenance
5. On-Demand Configuration

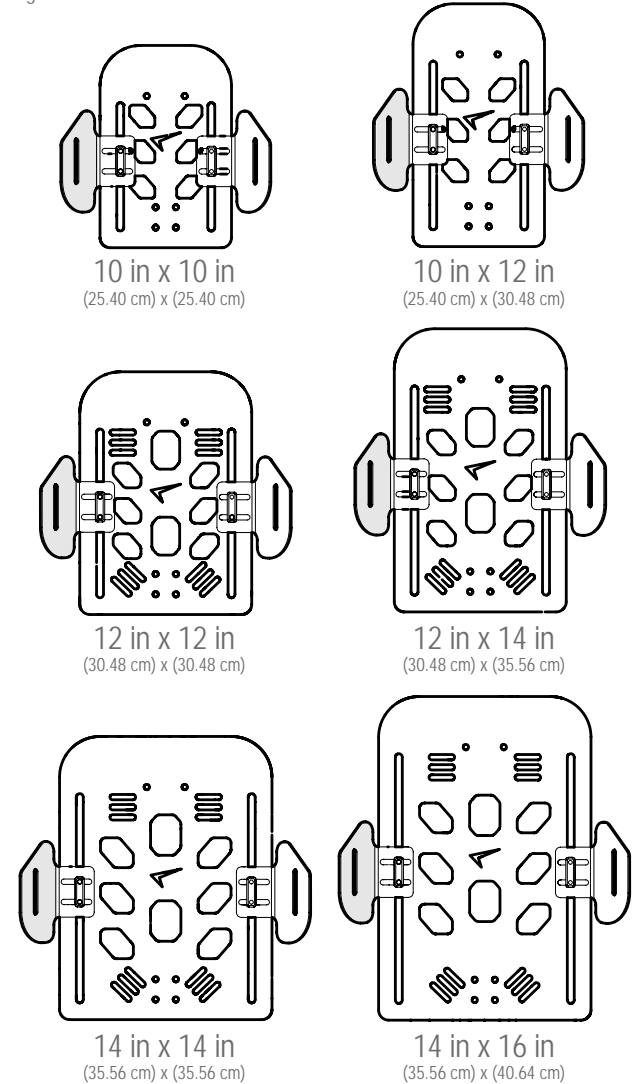


Back Support System



- (A) Back Shell
- (B) FlipLock™ Hardware
- (C) Wings
- (D) Lateral Hardware
- (E) Lateral Pad Frame

Figure 8.2



| in (cm) | Height | 10 | 12 | 14 | 16 |
|------------|--------|---------|---------|---------|---------|
| | | (25.40) | (30.48) | (35.56) | (40.64) |
| 10 (25.40) | Width | ✓ | ✓ | ✗ | ✗ |
| 12 (30.48) | ✗ | ✓ | ✓ | ✗ | |
| 14 (35.56) | ✗ | ✗ | ✓ | ✓ | |

Figure 8.3

Figure 8.4

* WC20 transit hardware requires: WC18 Restraint, WC19 Base and WC20 Seat/Back. Per RESNA WC-4:2012/ISO 16840. For more information visit see back cover.

Back Built-In Lateral Support



Back System Built-in Lateral Support

Figure 9.1

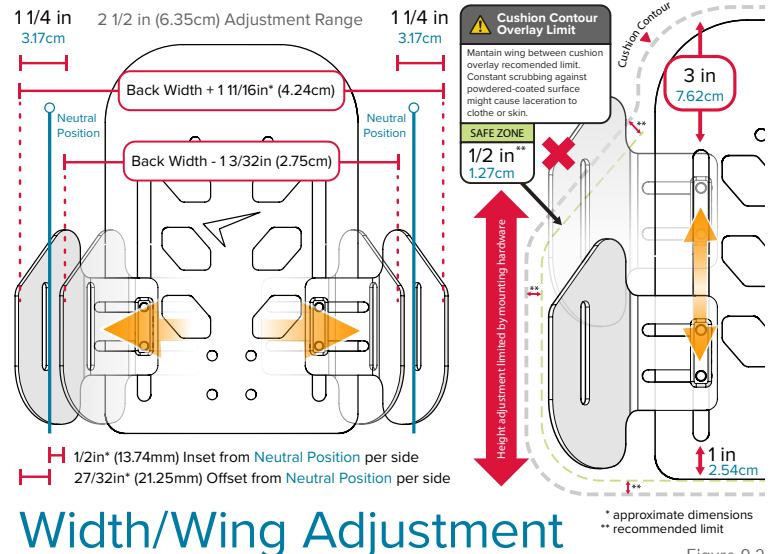
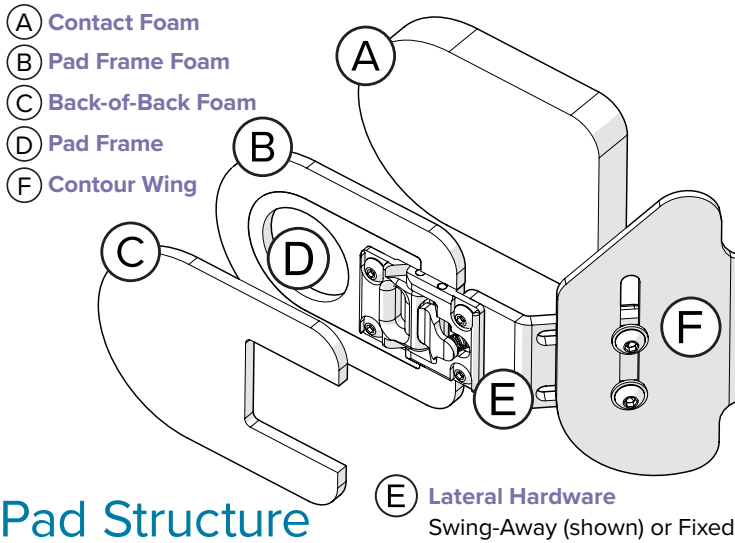


Figure 9.2

The built-in lateral support includes black powder-coated aluminum wings (F), swing-away or fixed lateral hardware (E) with comfortable lateral hardware pads made out of closed cell foam (B, C) and HR3 contact foam (A), covered with Coolcore® Technology covers on each side of the System.

The built-in wing set adds on-demand contoured height and width configuration. Height adjustment might be limited by mounting hardware position and foam required overlay to avoid aluminum parts coming in contact with end user.

Lateral Hardware Features

The redesigned lateral hardware is inspired by the modular hardware and has been completely modified for pediatric use. It has two points of adjustment for on-demand width/height growth. Made out of aluminum with black anodized finish.

The Diego Back can be configured with two lateral hardware options: a) Fixed or b) Swing-Away.

The fixed hardware offers width and growth option, as well as the Swing-Away version. The

Swing-Away version offers easy flip-away for parents or care-givers during transfers or any other type of care. The Swing-Away hardware comes with a very distinctive red anodized button for easy visual reference.

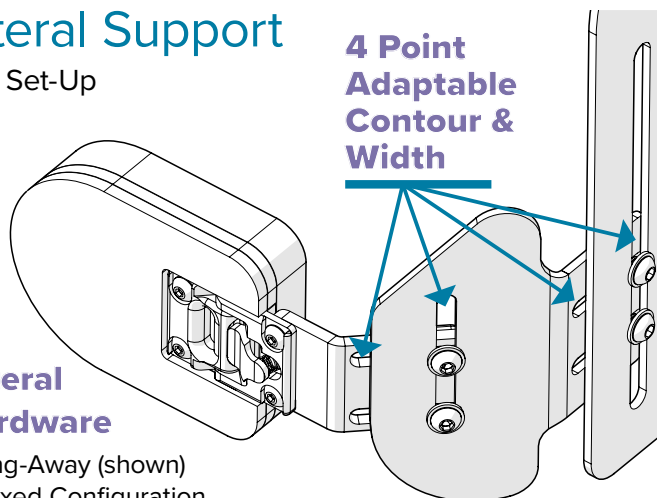
Lateral Support

Easy Set-Up

4 Point Adaptable Contour & Width

Lateral Hardware

Swing-Away (shown) or Fixed Configuration



Lateral Hardware

On-Demand Configurations

1 in (2.54cm)
Vertical Adjustment

1 1/2 in (3.81cm)
Width Adjustment

Swing-Away action option for easy transfer

up to **135°**

Degree depends on pad, cover and seams

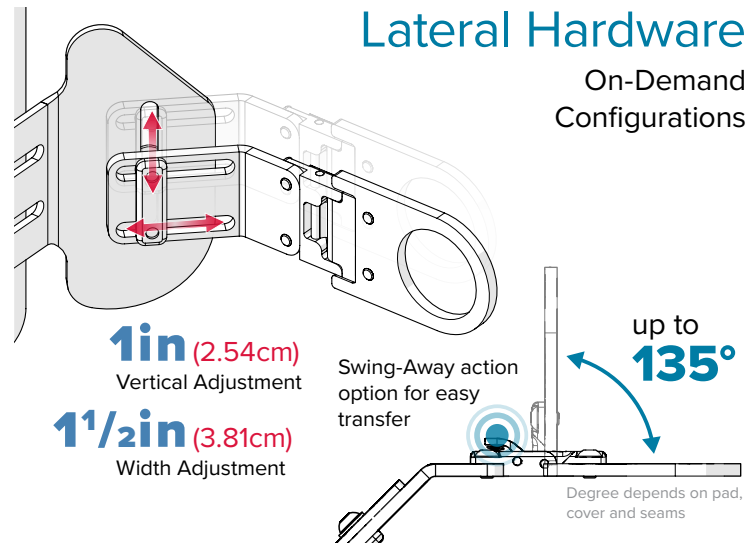


Figure 9.3 - Showing hardware width adjustment. Has also 1in (2.54cm) of height adjustment by using the wing lateral hardware track.

Figure 9.4 - The Swing-Away option makes it easier to get the hardware out of the way during transferring or any other type of care. It provides approximately 120° degrees swing-away action.



Back Mounting Hardware

NEW FlipLock Mounting

FlipLock™

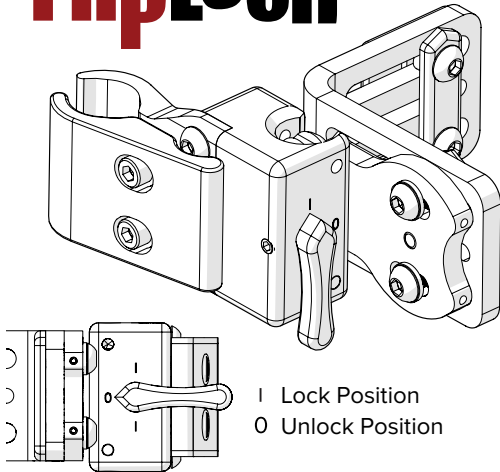


Figure 10.1

Introduced to the market with the Diego System, the FlipLock mount is a versatile back mount, meaning that can be configured to mount either to the right or left side¹, between canes or full width. By a flip of a red anodized lever, the FlipLock locks-in-place or release for easy back or full system removal.

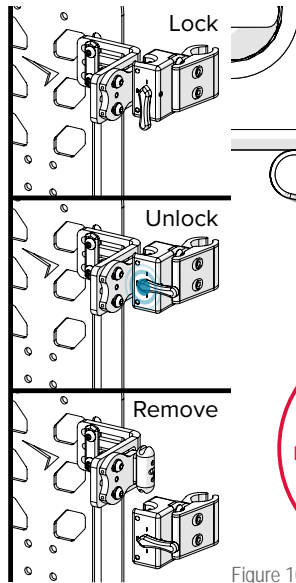
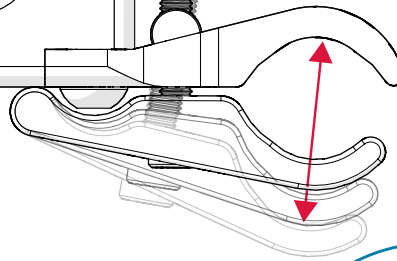


Figure 10.2

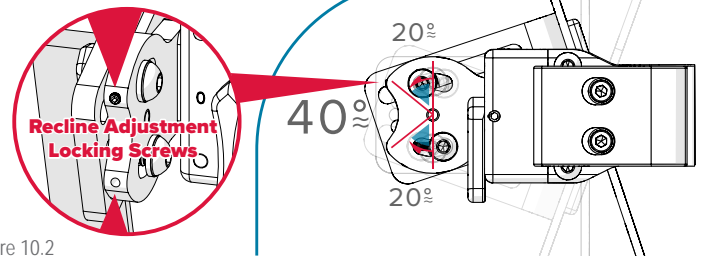
FlipLock has been crash tested with the Diego System and certified WC20*, offering the assurance that it will hold its ground in case of an emergency. WC20 hardware requires a WC19 certified wheelchair frame, WC20 Back/Seat and WC18 restrains to guarantee safety and proper protection.

FlipLock Mounting Features



Adaptable Cane Mount
from 19/32in (15.24mm)
to 1in (2.54cm)

40° Adjustable Recline



The FlipLock has a total of 40° degrees recline angle for a more personalize adjustment and its cane clamp fits frames with canes diameters from 19/32in (1.52cm) to 1in (2.54cm).



Figure 10.3 - The locking red lever rotation pressure can be adjusted to make it harder to lock or unlock

* WC20 transit hardware requires: WC18 Restraint, WC19 Base and WC20 Seat/Back. Per RESNA WC-4:2012/ISO 16840. For more information visit see back cover.
1. Depending on configuration

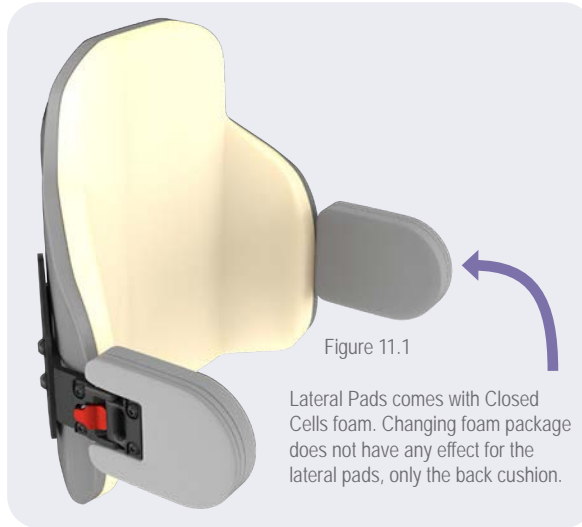
Foam Options & Lateral Pads



Foam Packages

| A | B* |
|-------------------------------------|--|
| 1/2in (12.70mm) HR3 Contact Foam | 1/2in (12.70mm) Medium SunMate® Contact Foam |
| 1/4in (6.35mm) Closed Cell Foam | 1/2in (12.70mm) HR3 Base Foam |

*Package adds \$95.00 USD to Back Cost



Lateral Pads

| Back Width | Lateral Pad Size |
|--------------------|--------------------------------|
| 10in (25.40 cm) | 3 x 3 in (7.62 x 7.62 cm) |
| 12in (30.48 cm) | 3 x 4 in (10.16 cm) |
| 14in (35.56 cm) | 4 x 4 in (10.16 x 10.16 cm) |

Standard configuration, to change call CSR or contact your local Stealth Representative.



Stealth Positioning Options for Diego System



Pelvic Belts



2 Points Pelvic Belts



Four Points Pelvic Belts

2 Points Pelvic Belts [E0978]**

- IFPB5111 Push Button, 1in (2.54cm), Single Pull X-Small Pads \$86.00
- IFPB5112 Push Button, 1in (2.54cm), Single Pull Small Pads \$86.00

4 Points Pelvic Belts [E0978]**

- IFPB5145 Push Button, 1in (2.54cm), Single Pull X-Small Pads \$130.00
- IFPB5146 Push Button, 1.5in (3.81cm), Single Pull Small Pads \$130.00

Posture Support [E0960]**

- IFPS1101 Classic, Dynamic, 1in (2.54cm), Pull Down, X-Small \$142.00
- IFPS1102 Classic, Dynamic, 1in (2.54cm), Pull Down, Small \$142.00
- IFPS1201 Classic, Structure, 1in (2.54cm), Pull Down, X-Small \$142.00
- IFPS1202 Classic, Structure, 1in (2.54cm), Pull Down, Small \$142.00
- IFPS2101 Contoured, Dynamic, 1in (2.54cm), Pull Down, XS \$142.00
- IFPS2102 Contoured, Dynamic, 1in (2.54cm), Pull Down, S \$142.00
- IFPS2201 Contoured, Structure, 1in (2.54cm), Pull Down, XS \$142.00
- IFPS2202 Contoured, Structure, 1in (2.54cm), Pull Down, S \$142.00

Posture Support



Contour

Classic

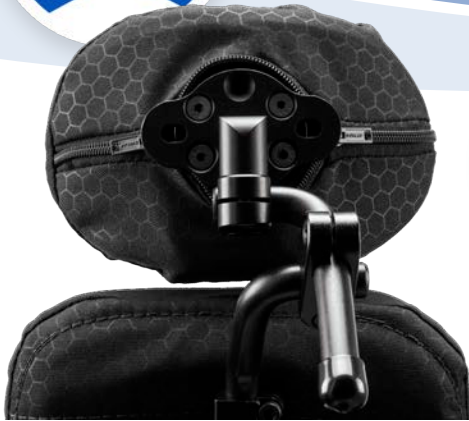
** Applicable in the United States and its territories Only. HCPCS codes provided should not be considered as legal advice and do not guarantee reimbursement. DME providers are responsible for determining appropriate billing codes when submitting for insurance reimbursement.



Head Support Features

Diego System Head Solutions

The Diego System's head support utilizes our popular Comfort Plus™ pediatric head pads combined with our latest Multi-Axis universal head support mount, the HMO501, and lightweight hardware designed to allow positioning the head pad where the end user actually needs the support. The head pads come in 6in (15.24 cm) or 8in (20.32 cm) (see figure 13.4 on next page for more information).



diego
Head Support System



CP06CCH51
for 6in Pad Package
CP08CCH51
for 8in Pad Package

A Comfort Plus
6in (15.24cm) Head Pad or
8in (20.32cm) Head Pad

B HMO501
HMO multi-axis series
for pediatric users

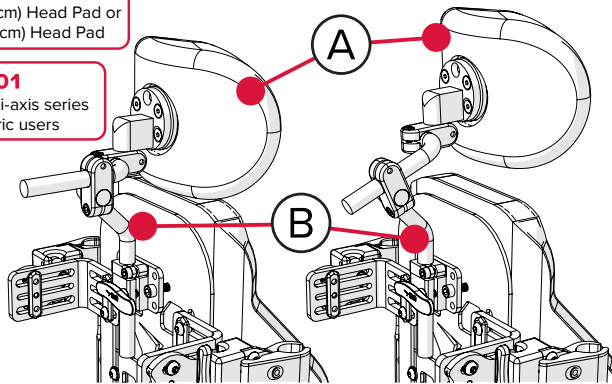


Figure 12.1

Head Support Features

On-Demand Adaptability

Hardware is easy to customize to fit user's physiology.

Multiple Axis Points of Adjustment

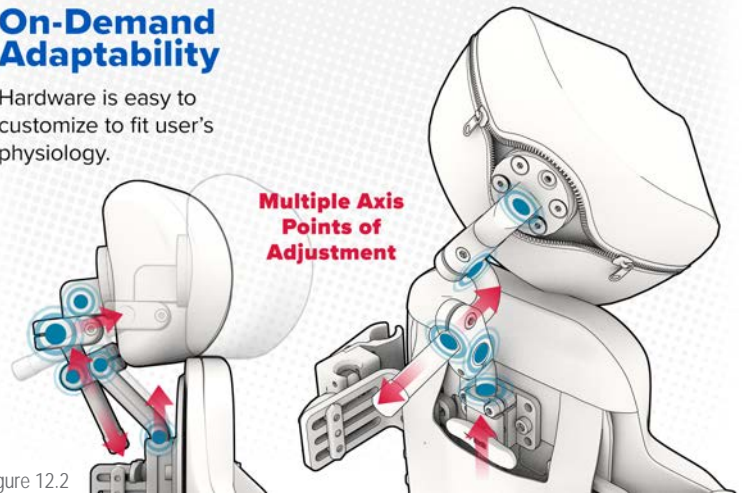


Figure 12.2

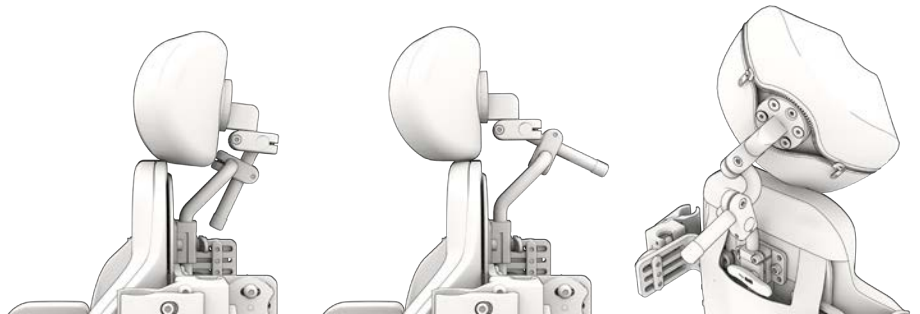
HMO501 Mounting Hardware

The HMO501 is a minimalistic and aesthetic designed hardware that offers multiple points of adjustments, which allows for an almost unlimited head pad positioning capabilities, making it one of our most versatile head support mounting

hardware, followed by our most popular TWB series. Even though is part of our simple HMO series, this hardware offers better positioning balance and less horizontal offset.



Figure 12.3



The HMO501 is also designed for a more universal approach, since it mounts to either square or circular rings.

The HMO501 is specifically designed with a small profile. Made out of black anodized aluminum, it is strong and engineered to maintain its position.

* WC20 transit hardware requires: WC18 Restraint, WC19 Base and WC20 Seat/Back. Per RESNA WC-4:2012/ISO 16840. For more information visit see back cover.

Head Support Features

The Comfort Plus Head Pad

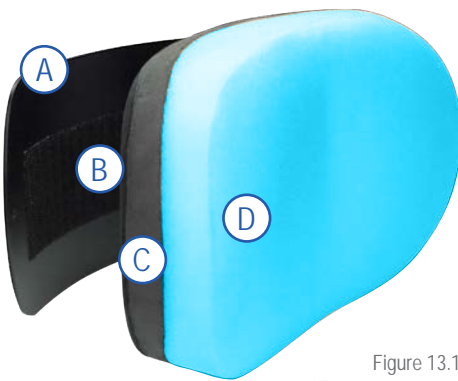


Figure 13.1

(A) Black Anodized Aluminum Base

(B) Hook & Loop strip and back of foam for easy removal for maintenance

(C) Closed Cell base foam

(D) HR3 Contact Foam

(F) Diego System specific cover, 4-ways Coolcore® Technology contact upholstery with Honeycomb non-contact cover.

The Comfort Plus is the most popular seller on our catalog it has a black anodized aluminum base with a very comfortable HR3 contact foam and Closed Cell base foam. The pad is attached to the base using hook and loop which makes it easier to remove in case it needs cleaning or washing.

With the Diego System, the Comfort + comes covered by our new Coolcore Technology upholstery, designed to maintain comfortable temperature and breathability through out the seasons. The Coolcore is a chemical-free fabric. For more information see next page.

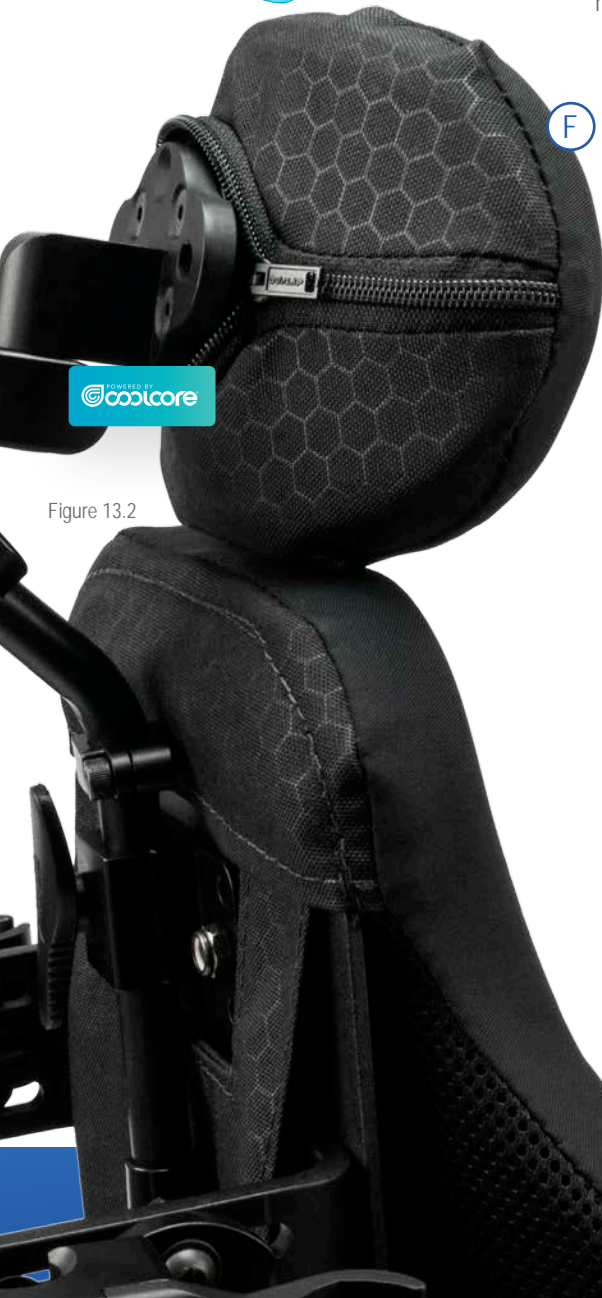


Figure 13.2

6in
(15.24 cm)

8in
(20.32 cm)

Size provided based on frame size. Total pad size depends on foam density, cover and cover seams.



Figure 13.3

PAD DIMENSION REFERENCE

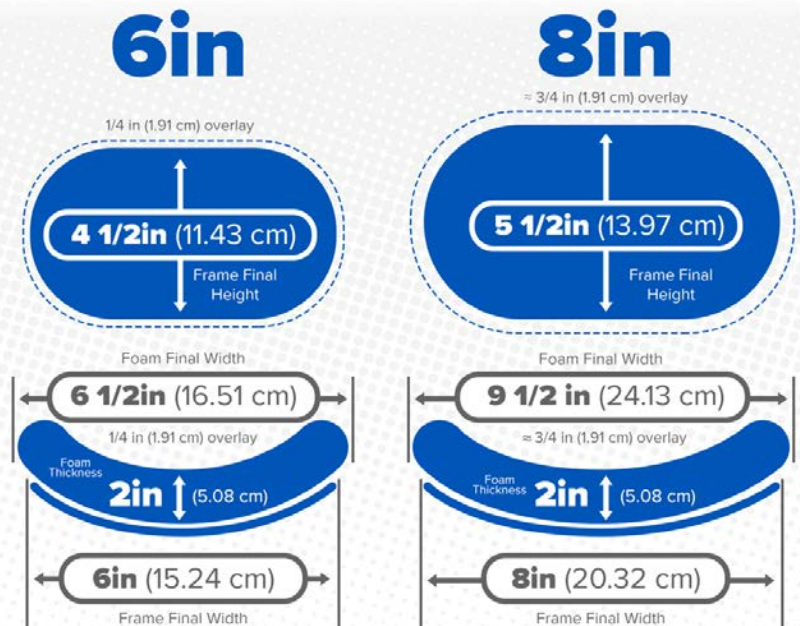


Figure 13.4

Figure 13.4 The head pad dimension varies, it depends on cover, seams and foam density. Foam configuration or dimensions might change in the future without further notice.



coolcore®

Stealth's Cushions Thermoregulation line is not a new technology, but a new application. The Coolcore Technology starts with cooling but the patented yarn technology makes for a better textile that provides year-round temperature regulation.

What's Coolcore?

Coolcore is a research proven performance fabric technology that adapts to its environment and regulates temperature by managing heat and moisture. The proprietary construction helps manage and distribute your body heat, and if you work up a sweat, it rapidly cools through regulated evaporation. Whether for the casual or athletic minded? Coolcore has the ability to change your personal environment and greatly improve your overall well being.

Cover Benefits

- Year Round Temperature Control
- Chemical Free
- 4-Way Stretch
- Patented Technology
- Better Cooling Ability
- Durable - Last Longer
- Protects from Sun's Harmful Rays (UPF)

Chemical-Free Fabric Technology

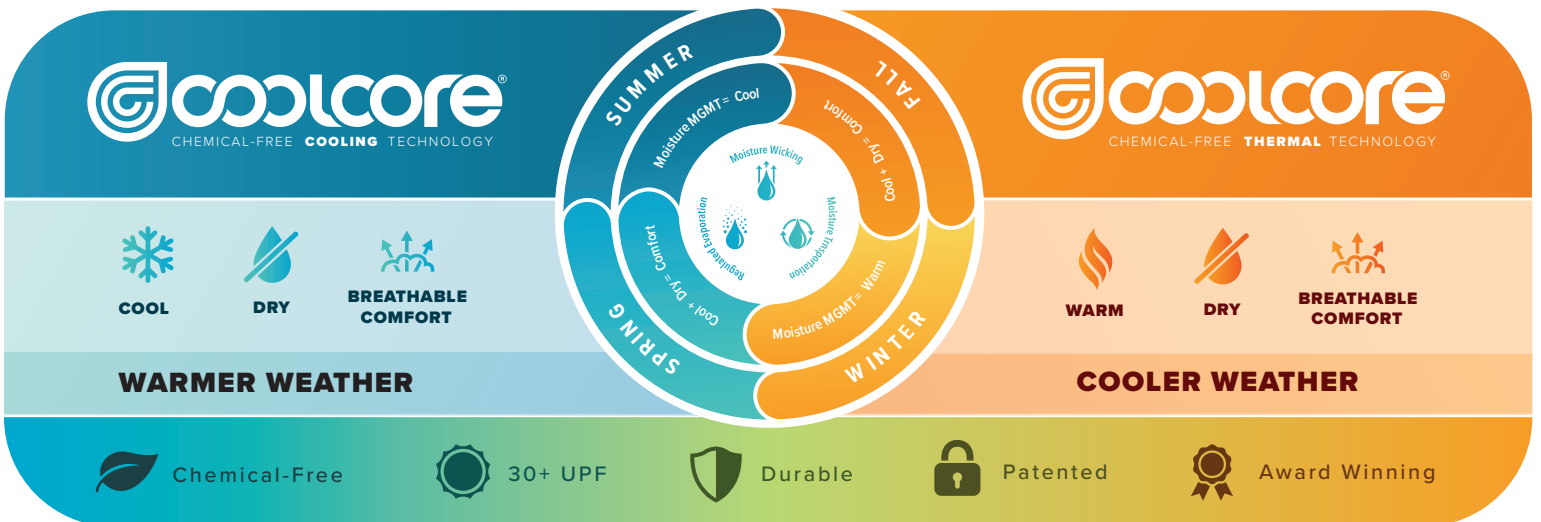
Normally other brand fabrics use topical chemicals that not only can be harmful to your skin, but after only a few washes, the cooling properties of the product are no longer effective. The Coolcore cooling technology is built into the fabrics fibers, preventing any decline in the performance and keeping it's cooling properties for the life of the garment. Coolcore patented technology allows for a controlled evaporative process that keeps you cool, dry and comfortable in any condition.

A great base cover in summer

is a great base cover in winter!

Research driven, patented fabrics from Coolcore are chemical-free and yield remarkable benefits. They cool better, last much longer and offer protection from the sun's harmful rays (UPF).

While the other makers of cooling fabrics use a number of chemicals to enhance wicking, transportation and evaporation, Coolcore fabrics are chemical free. To make that possible, we changed the essence of cooling fabric technology right down to its very core.



CALL +1 (512) 715-9995 OR +1 (800) 965-9229 FOR MORE INFORMATION

Great Together



True Comfort Back



Stealth's Cushions

TB+



powered by



Custom Seating *Reimagined*

for more information visit
www.StealthProducts.com

Stealth Products
Solutions For Life®



Stealth Products

Solutions For Life[®]



Seating



Pelvic



Trunk



Head

104 John Kelly Drive
Building A
Burnet, Texas, 78611

+1 (512) 715-9995
+1 (800) 965-9229 USA toll free

information@sw.stealthproducts.com



<https://stealthproducts.com>
<https://diego.stealthproducts.com>