



**USER MANUAL**

**Stealth Products**<sup>®</sup>

Upper Extremities



## ARMS-ESF3GP

---

Stealth's User Manual and Maintenance Guide for  
the 3G Fixed Elbow Stop

Stealth Products strives for 100% customer satisfaction. Your complete satisfaction is important. Please contact us with feedback or suggested changes that will help improve the quality and usability of our products. You may reach us at:



Stealth Products, LLC

104 John Kelly Drive, Burnet, TX 78611

Phone: (512) 715-9995

Toll Free: 1(800) 965-9229

Fax: (512) 715-9954

Toll Free: 1(800) 806-1225

info@stealthproducts.com

www.stealthproducts.com



MDSS GmbH

Schiffgraben 41

30175 Hannover, Germany



## General

Read and understand all instructions prior to the use of the product. Failure to adhere to instructions and warnings in this document may result in property damage, injury, or death. Product misuse due to failure of the following instructions will void the warranty.

Immediately discontinue use if any function is compromised, parts are missing, loose, or shows signs of excessive wear. Consult with your supplier for repair, adjustment, or replacement.

## Important Information!

All persons responsible for fitting, adjustment, and daily use of the devices discussed in these instructions must be familiar with and understand all safety aspects of the devices mentioned. In order for our products to be used successfully, you must:

- Read and understand all instructions and warnings.
- Maintain our products according to our instructions on care and maintenance.
- Devices should be installed and adjusted by a trained technician.

## Supplier Reference

Supplier: \_\_\_\_\_

Telephone: \_\_\_\_\_

Address: \_\_\_\_\_

\_\_\_\_\_

Purchase Date: \_\_\_\_\_

Model: \_\_\_\_\_

Before you install or begin using this product, it is important that you read and understand the content of these installation and operating instructions. The installation instructions will guide you through the possibilities with the elbow stop.

Instructions are written with the expressed intent of use with standard configurations. They also contain important safety and maintenance information. For further assistance, or more advanced applications, please contact your supplier or Stealth Products at (512) 715-9995 or toll free at 1-800-965-9229.

Always keep the operating instructions in a safe place so they may be referenced as necessary.

All information, pictures, illustrations, and specifications are based on the product information that was available at the time of printing. Pictures and illustrations show in these instructions are representative examples and are not intended to be exact depictions of the various parts of the product.

Our products are designed, manufactured, and produced to the highest of standards. If any defect in material or workmanship is found, Stealth Products will repair or replace the product at our discretion. Any implied warranty, including the implied warranties of merchantability and fitness for a particular purpose, shall not extend beyond the duration of this warranty. Stealth Products, LLC does not warrant damage due to, but not limited to:

- Misuse, abuse, or misapplication of products.
- Modification or product without written approval from Stealth Products, LLC.
- Any alteration or lack of serial number, where applicable, will automatically void this warranty.
- Stealth Products, LLC is liable for replacement parts only.
- Stealth Products, LLC is not liable for any incurred labor costs.

No person is authorized to alter, extend, or waive the warranties of Stealth Products, LLC.

Stealth Products warrants against failure due to defective materials or workmanship:

Covers: 2 years

Hardware: 5 years

Electronics: 3 years

## In Case of Product Failure

In the event of product failure covered by our warranty, please follow the procedures outlined below:

1. Call Stealth at +1 (512) 715-9995 or toll free +1-800-965-9229.
2. Request the Returns Department or obtain an RA from the Returns Department and follow department or documentation instructions.

<b>1.0 Customer Satisfaction</b> .....	<b>i</b>
<b>2.0 Important Information</b> .....	<b>ii</b>
<b>3.0 Introduction</b> .....	<b>iii</b>
<b>4.0 Warranty</b> .....	<b>iv</b>
<b>5.0 Table of Contents</b> .....	<b>v</b>
<b>6.0 Warning Labels</b> .....	<b>vi</b>
6.1 Warning Labels .....	vi
6.2 Limited Liability.....	vi
6.3 Testing.....	vi
<b>7.0 Parts and Accessories</b> .....	<b>vii</b>
7.1 Parts Included.....	vii
<b>8.0 Installation Instructions</b> .....	<b>1</b>
8.1 Hardware Mounting.....	1
8.2 Pad Mounting.....	1
<b>9.0 First Time Use</b> .....	<b>2</b>
9.1 Dealer Assistance .....	2
9.2 User Testing .....	2
9.3 Conditions of Use .....	2
<b>10.0 Maintenance</b> .....	<b>3</b>
10.1 Cleaning .....	3
10.2 Maintenance.....	3
10.3 Disinfecting .....	3

## Warning Labels

### 6.1

Warnings are included for the safety of the user, client, operator and property. Please read and understand what the signal words **SAFETY, NOTICE, CAUTION, WARNING** and **DANGER** mean, how they could affect the user, those around the user, and property.

#### **DANGER**

Identifies an **imminent** situation which (if not avoided) will result in **severe injury, death, and property damage**.

#### **WARNING**

Identifies a **potential** situation which (if not avoided) will result in **severe injury, death, and property damage**.

#### **CAUTION**

Identifies a **potential** situation which (if not avoided) will result in **minor to moderate injury, and property damage**.

#### **NOTICE**

Identifies important information not related to injury, but possible **property damage**.

#### **SAFETY**

Indicates steps or instructions for safe practices, reminders of safe procedures, or important safety equipment that may be necessary.

## Limited Liability

### 6.2

Stealth Products, LLC accepts no liability for personal injury or damage to property that may arise from the failure of the user or other persons to follow the recommendations, warnings, and instructions in this manual.

## Testing

### 6.3

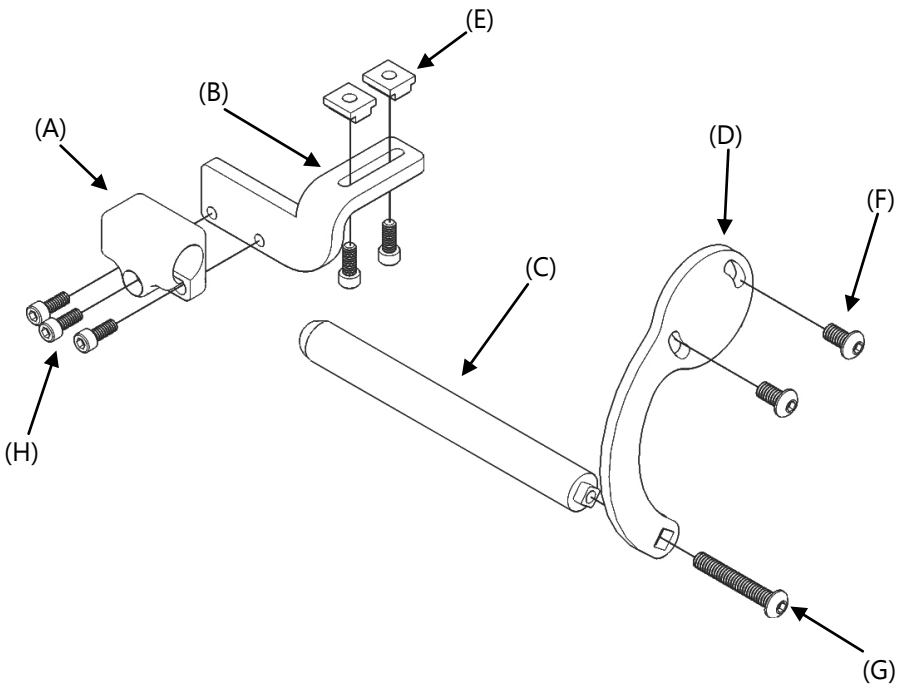
Initial setup and driving should be done in an open area free of obstacles until the user is fully capable of driving safely.

The elbow stops should always be adjusted with the user in the chair in order to promote the best position and maximum comfort for the client.

## Parts Included

## 7.1

- ARM200-02-Armrest Track Mount Clamp (A)
- ES100-09 Side Mount– Permobil Elbow Stop (B)
- ES100-11 5/8" Rod– Permobil Elbow Stop (C)
- ES100-12– Positioning Arm, Permobil Elbow Stop (D)
- HM0400-08 #10-32 T-Nut (E)
- 10-32 x 3/8" Button Head Screw (F)
- 1/4-20 x 1/2" Button Head Screw (G)
- 1/4-20 x 5/8" Socket Head Screw (H)





The ARMS-ESF3GP is our specially designed Fixed Elbow Support that mounts directly onto the underside of Permobil's armrest on the 3G mobility base. The hardware is capable of being adjusted on the cane clamp, allowing a variety of elbow depths to be met.

## Hardware Mounting

### 8.1

The HMO400-08 (10-32 T-Nut) is designed to attach under the armrest:

1. Slide the tracks into the track mount under the armrest.
2. Ensure the hardware is positioned properly and that the pad can be positioned in away to provide support.
3. The curve on the hardware positioning arm should be curved towards the inside of the chair.

#### ***NOTICE***

Ensure the threads on the track nuts and screws are clean and clear of any debris.

## Pad Mounting

### 8.2

Two 10-32 x 3/8" Button Head Screws are included to mount the pad onto the positioning arm of the hardware:

1. Ensure the elongated end of the pad is on the outside of the arm (if the pad you are mounting is an oblong shape).
2. Once the hardware and pad are in the proper position, tighten the screws to make the hardware rigid to provide the best support.

#### ***NOTICE***

When tightening screws, turn loosely until the screw stops, then tighten one quarter turn more. Overtightening screws may cause product malfunction and irreversible damage.

## Dealer Assistance

### 9.1

During first time use by the client, it is advised that the dealer or service technician assists and explains the configurations to the customer (the user and/or the attendant). If needed, the dealer can make final adjustments.

#### **DANGER**

Failure to comply with these warnings could result in serious bodily harm.

## User Testing

### 9.2

It is important that the customer is fully aware of the installation, how to use it, and what can be adjusted in order to gain as much mobility as possible. As a dealer, proceed as follows:

- Explain and show the customer how you have executed the installation, and explain the function of every item.

Have the user test the swing away system:

- Is the hardware in the proper position for the client?
- Can the user safely operate the wheelchair with minimal effort?
- Is the placement of the elbow stop in an optimal position for the user?

If needed, adjust the elbow stop to the proper position.

Explain to the customer possible problems and how to address them.

## Conditions of Use

### 9.3

The ARMS-EF3GP3 is intended for use as installed by the dealer, in accordance to the installation instructions in this manual.

- The foreseen conditions of use are communicated by the dealer or service technician to the user and/or attendant during first time use.
- If the usage conditions change significantly, please contact your dealer or a qualified service technician to avoid excessive wear and tear or unintended damage.

## Cleaning

### 10.1

- Positioning accessories can be wiped clean with a damp cloth and mild, nonabrasive cleaner.
- Ensure all cleaners are approved for finished steel, aluminum, plastic and upholstered surfaces.
- To wash cover, remove the cover from the support pad, machine wash in cold water on a delicate cycle and let drip dry.

#### **CAUTION**

Do not immerse in water or rinse with a water hose.

#### **CAUTION**

Do not coat the metal surface with waxes or silicones.

## Maintenance

### 10.2

- Check the hardware for loose or worn parts.
- Check and retighten all fasteners according to the installation instructions.
- Periodically check the elbow support pad for any foam breakdown and/or metal coming through the foam. This could be potentially dangerous for the client.

## Disinfecting

### 10.3

When needed, surfaces can be wiped with an approved disinfecting product.

- For fixed covers, take care to notice the cover's fit to the pad so it can be refitted in the correct orientation.
- Zip the cover closed to avoid catching.
- Wash in warm water by hand or machine wash gentle cycle and drip or tumble dry on low heat.

#### **NOTICE**

Some covers consist of different materials for the sides and contact surfaces.

#### **CAUTION**

Vinyl upholsteries should be wiped clean with mild, nonabrasive cleaner only. Never machine wash vinyl.



Stealth Products, LLC. • [info@stealthproducts.com](mailto:info@stealthproducts.com) • [www.stealthproducts.com](http://www.stealthproducts.com)  
+1(800) 965-9229 | +1(512) 715-9995 | 104 John Kelly Drive, Burnet TX 78611