

Stealth Products[®]

Pelvic Support



USER MANUAL



The World's Best Adductors

Stealth's User Manual and Maintenance Guide for
The World's Best Adductors

Important Information!

All persons responsible for fitting, adjustment, and daily use of the devices discussed in these instructions must be familiar with and understand all safety aspects of the devices mentioned. In order for our products to be used successfully, you must:

- Read and understand all instructions and warnings.
- Maintain our products according to our instructions on care and maintenance.
- Devices should be installed and adjusted by a trained technician.

Supplier Reference

Supplier: _____

Telephone: _____

Address: _____

Purchase Date: _____

Model: _____

Standard Planar Mounting

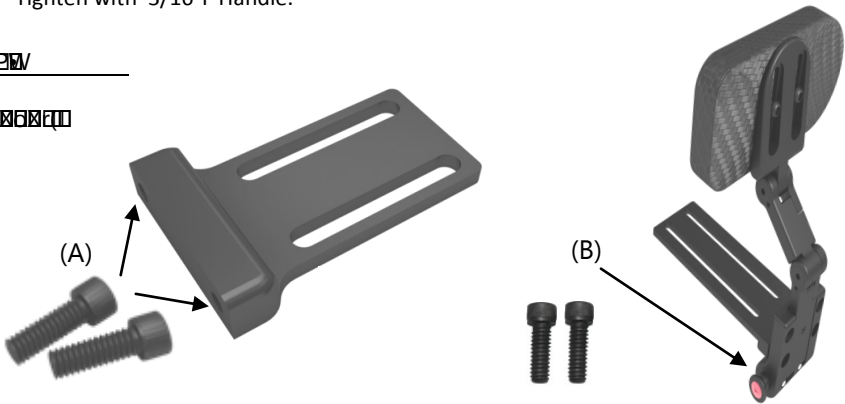
8.3

To install planar mounts:

1. Use 1/4-20 x 5/8 Socket Head Screws (A) to mount on the base of the planar mount to the interior of the adductor.
2. Screw the 1/4-20 x 5/8 Button Head Screws (B) through the slots on the planar mount onto the mounting hardware on the chair.
3. Tighten with 3/16 T-Handle.

STEP

TOOL



All Season Mounting

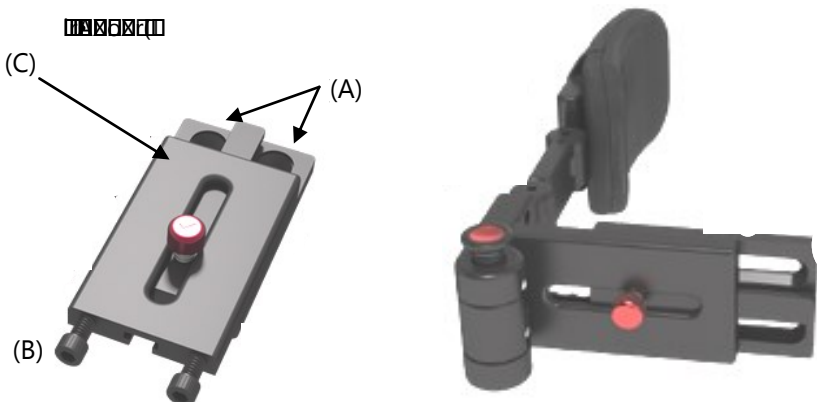
8.4

To install the All Season Mounts:

1. Attach the All Season Bracket to the chair by using the 1/4-20 x 1/2" Flat Head Screws (A). Tighten with 5/32 T- Handle.
2. Use the 1/4-20 x 3/4 Socket Head Screws (B) to directly mount the All Season Bracket.
3. Press down on the red button (C) to make lateral adjustments.

STEP

TOOL



Dealer Assistance

9.1

During first time use by the client, it is advised that the dealer or service technician assists and explain the configuration to the customer (the user and/or the attendant). If needed, the dealer can make final adjustments.

WARNING

The adductors should only be fitted by a qualified healthcare professional.

User Testing

9.2

It is important that the customer is fully aware of the installation and how the adductors can be adjusted in order to gain the best positioning possible. As a dealer, proceed as follows:

- Explain and show the customer how you have executed the installation, and explain the function.

Have the user test the position of the adductors:

- Are the adductors in the proper position for the client?
- Can the user safely operate the chair in the position they are seated in?
- Is the placement of each of the adductors in an optimal position for the user?

If needed, adjust the adductors to the proper position.

Explain to the customer any possible issues and how to address them.

Conditions of Use

9.3

The World's Best Adductors are intended for use as installed by the dealer, in accordance to the installation instructions in this manual:

- The foreseen conditions of use are communicated by the dealer or service technician to the user and/or attendant during the first time use.
- If the conditions of use change significantly, please contact your dealer or a qualified service technician to avoid excessive wear and tear or unintended damage.

Cleaning

10.1

To wash the covers of the adductors:

- Remove the pad/cover from the adductors
- Machine wash in cold water on delicate cycle and drip dry

To wash sheepskin covers:

- Remove the cover from the laterals
- Machine wash in cold water on delicate cycle (or dry clean), and dry.

 **WARNING** Do not use bleach.

 **WARNING** Do not iron.

Maintenance

10.2

- Periodically check the hardware for loose screws or worn areas
- Check the pad/cover for any breakdown
- Gently remove dust and dirt with a damp cloth

SAFETY Replace or repair parts as needed.



Stealth Products, LLC. • info@stealthproducts.com • www.stealthproducts.com
+1(800) 965-9229 | +1(512) 715-9995 | 104 John Kelly Drive, Burnet TX 78611