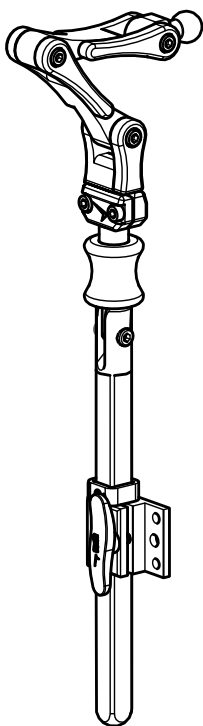


Stealth Products[®]



**Head Support
Hardware**



UniLink™ Flip Down Mount Hardware

Owner's Manual - Maintenance Guide
UniLink Flip Down Mount Hardware



Customer Satisfaction	1
Important Information	2-3
Warranty	2
Supplier Reference.....	2
Warning Labels.....	3
Limited Liability.....	3
Testing	3
Design and Function	4-8
Intended Use.....	4
Features.....	4
Tools Required.....	4
First Link Adjustability	5
Stop Collar Adjustment.....	6
Flip-Down Operation	7
Link Adjustment.....	8
Installation Instructions	9
Seat Back Mount Installation.....	9
First-Time Use.....	10
Dealer Assistance	10
User Testing	10
Conditions of Use	10
Care and Maintenance.....	11
Safety	11
Cleaning.....	11
Notes	12-13

Stealth Products is committed to 100% customer satisfaction. Your complete satisfaction is important to us. Please contact us with feedback or suggestions to help us improve the quality and usability of our products.

You may reach us at:



Stealth Products, LLC

104 John Kelly Drive
Burnet, TX 78611

Phone: (512) 715-9995 Toll Free: (800) 965-9229

Fax: (512) 715-9954 Toll Free: (800) 806-1225

info@stealthproducts.com

www.stealthproducts.com



MDSS GmbH
Schiffgraben 41
30175 Hannover, Germany

General

Read and understand all instructions prior to the use of the product. Failure to adhere to instructions and warnings in this document may result in property damage, injury, or death. Product misuse or failure to follow instructions will void the warranty.

Immediately discontinue use if any function is compromised, if parts are missing or loose, or if any component shows signs of excessive wear. Consult with your supplier for repair, adjustment, or replacement.

All persons responsible for fitting, adjustment, and daily use of the devices discussed in these instructions must be familiar with and understand all safety aspects of the devices mentioned. In order for our products to be used successfully, you must read and understand all instructions and warnings, and maintain our products according to our instructions on care and maintenance. The installation instructions will guide you through this product's options and possibilities.

Instructions are written with the expressed intent of use with standard configurations. They also contain important safety and maintenance information, as well as describe possible problems that can arise during use. For further assistance, or more advanced applications, please contact your supplier or **Stealth Products** at (512) 715-9995 or toll free at (800) 965-9229.

Always keep the operating instructions in a safe place so they may be referenced as necessary.

All information, pictures, illustrations, and specifications are based on the product information that was available at the time of printing. Pictures and illustrations shown in these instructions are representative examples and are not intended to be exact depictions of the various parts of the product.

Important Information



These products are designed to be fitted, applied, and installed exclusively by a healthcare professional trained for these purposes. The fitting, application, and installation by a non-qualified individual could result in serious injury.

Warranty

Our products are designed, manufactured, and produced to the highest of standards. If any defect in material or workmanship is found, Stealth Products will repair or replace the product at our discretion. Any implied warranty, including the implied warranties of merchantability and fitness for a particular purpose, shall not extend beyond the duration of this warranty. **Stealth Products** does not warrant damage due to, but not limited to: misuse, abuse, or misapplication of product, and/or modification of product without written approval from **Stealth Products, LLC**. Any alteration or lack of serial number, where applicable, will automatically void all warranty.

Stealth Products, LLC is liable for replacement parts only. **Stealth Products, LLC** is not liable for any incurred labor costs.

Stealth Products warrants against failure due to defective materials or workmanship:

Covers: 2 years
Hardware: 5 years
Electronics: 3 years

In the event of a product failure covered by our warranty, please follow the procedures outlined below:

Call **Stealth Products** at (512) 715-9995 or toll free at (800) 965-9229.

Request a Return Authorization (RA) form from the Returns Department and follow the documentation instructions.

Additional warranty information may be found by visiting the website at <https://stlpro.site/returns-n-warranty>. Copies of this manual may be downloaded by accessing the Stealth website (<https://stlpro.site/stealth-docs>) and searching "Flip Down Mount" in the search bar at the top of the page.

Supplier Reference	
Supplier:	
Telephone:	
Address:	
Purchase Date:	
Model:	

Warning Labels

Warnings are included for the safety of the user, client, operator, and property. Please read and understand what the signal words **DANGER**, **WARNING**, **CAUTION**, **NOTICE**, and **SAFETY** mean, and how they could affect the user, those around the user, and property.



DANGER

Identifies an **imminent** situation which, if not avoided, may result in **severe injury, death, and property damage**.



WARNING

Identifies a **potential** situation which, if not avoided, may result in **severe injury, death, and property damage**.



CAUTION

Identifies a **potential** situation which, if not avoided, may result in **minor to moderate injury and property damage**.

NOTICE

Identifies important information not related to injury, but possible **property damage**.

SAFETY

Indicates steps or instructions for safe practices, reminders of safe procedures, or important safety equipment that may be necessary.

Limited Liability

Stealth Products, LLC accepts no liability for personal injury or damage to property that may arise from the failure of the user or other persons to follow the recommendations, warnings, and instructions in this manual.

Stealth Products does not hold responsibility for final integration of final assembly of product to end user. **Stealth Products** is not liable for user death or injury.

Testing

Initial setup and driving should be done in an open area free of obstacles until the user is fully capable of driving safely.

Intended Use

The **UniLink™ Flip Down Mount** hardware offers a streamlined design, sturdy construction and an effortless flip-down mechanism allowing the headrest to temporarily move out of the way while remaining firmly affixed to the chair. This aids with mobility-related issues and transfers and, as an added benefit, the chances of the headrest being misplaced or lost are drastically reduced.

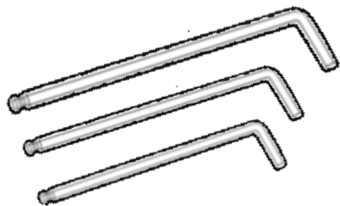
The **UniLink™ Flip Down Mount** hardware, as the name suggests, has been updated with **UniLink™** technology. This technology provides near limitless adjustment of anterior, posterior and angle on **Stealth Products'** headrests. Separate links provide isolated adjustment planes and angles, allowing the technician to meet the most complex head support requirements. Improved links more reliably hold the position set by the technician, reducing maintenance needs.

The height of the **UniLink™ Flip Down Mount** hardware is set by adjusting the location of the down post in the seat back mount and the setting is locked in through the use of a stop collar. This gives the technician a secure way to easily and properly set the height necessary for the client, provides a point of reference in the event the headrest must be removed at the seat back mount, and assures the client will not experience unwanted downward movement of the headrest.

Features

- High degree of adjustability available at multiple points in multiple planes to meet most head positioning requirements.
- 7 1/2" of height adjustment at the seat back mount, additionally adjustable with the links above the flip-down latch.
- Easy to operate flip-down mechanism that securely locks in place when upright.
- 1/2" square down post (**UHB2D232FD**) or 15mm square down post (**UHB3D232FD**)

Tools Required



2.5mm Hex Key

4mm Hex Key

5mm Hex Key

First Link Adjustability

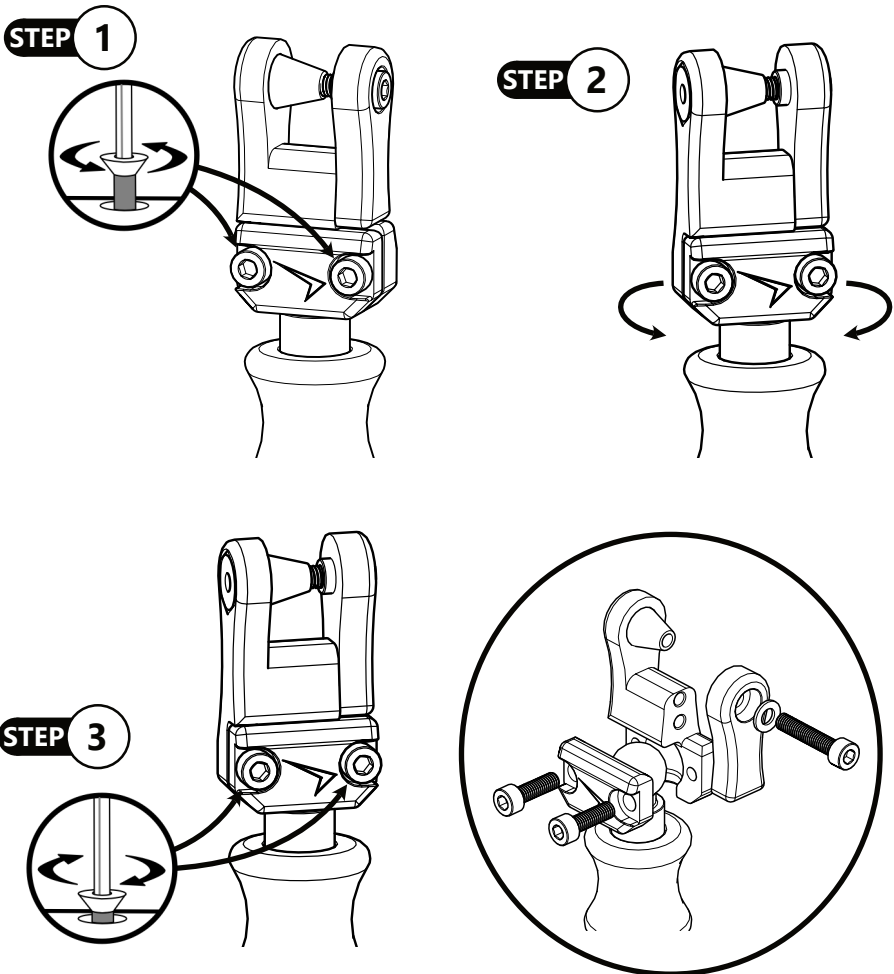
The link that is installed on the Flip Down Mount hardware is mounted on the ball-end of the down post, and is held in place with two M5 socket head screws. It can be rotated, if required, to meet special positioning requirements.

To rotate the first link of the **UniLink™ Flip Down Mount** hardware:

Step 1: Loosen, or remove if necessary, the two M5 socket head screws with an M4 hex key.

Step 2: Rotate the link to the desired position.

Step 3: Tighten the two screws.



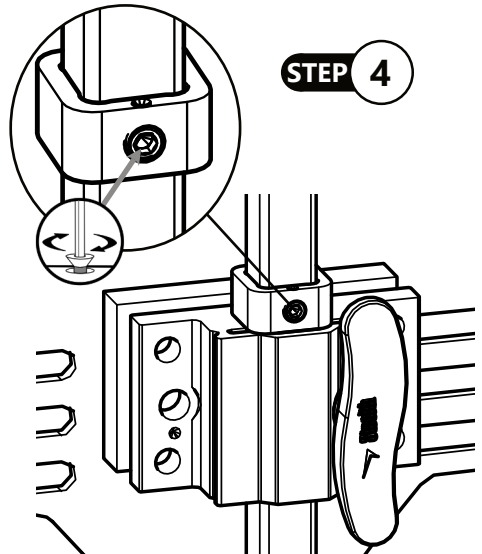
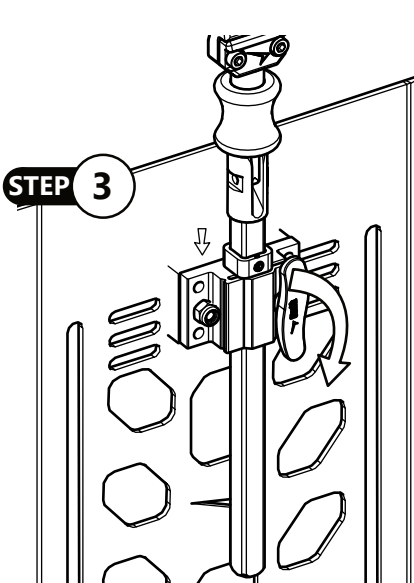
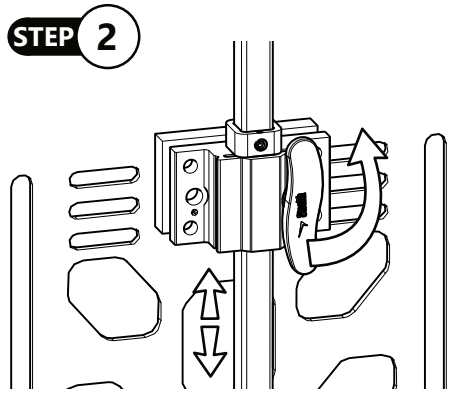
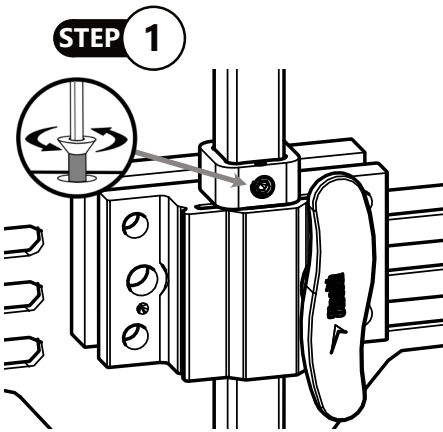
Stop Collar Adjustment

Step 1: Use a 2.5mm hex key to loosen the stop collar set screw. This will free the stop collar to slide along the down post.

Step 2: Loosen the down post by turning the handle on the seat back mount counter-clockwise until the down post will move. Position the headrest hardware at the proper height for the client.

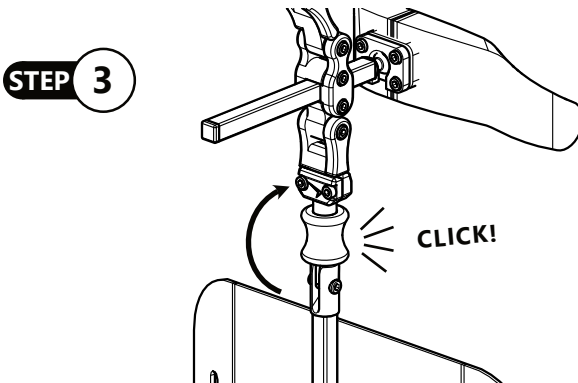
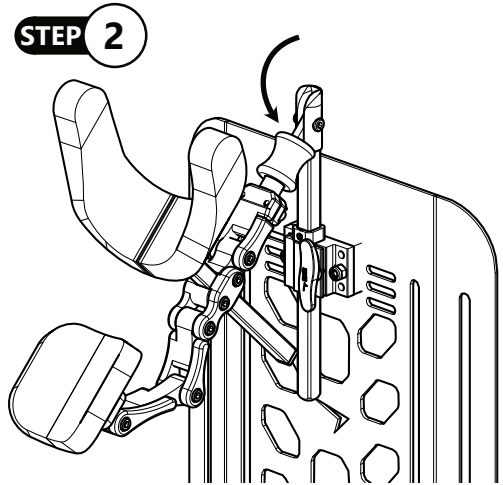
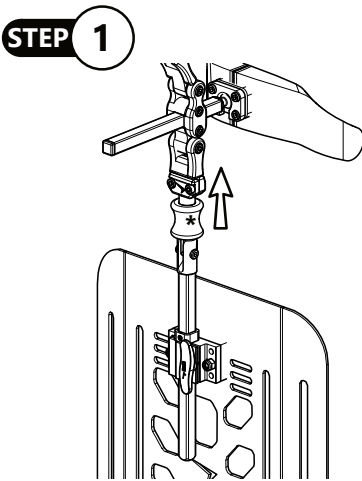
Step 3: Tighten the handle on the seat back mount to hold the down post in position, and slide the stop collar against the top of the seat back mount.

Step 4: If this is the final adjustment for the vertical component, tighten the set screw to secure the stop collar. Do not over-tighten.



Flip-Down Operation

- Step 1:** Find the red Flip-Down ring located underneath the first link of the headrest hardware. Grip it and gently pull up against the first link.
- Step 2:** Move the headrest towards the rear of the chair. The headrest will pivot back approximately 135° from upright, behind the seat.
- Step 3:** When ready to return to the upright position, gently lift the headrest and pivot it back into position. The red Flip-Down ring will lift itself as the hinge closes, and there should be an audible 'click' when it reaches the upright position and locks into place.



CAUTION

When lifting the headrest back into the upright position, keep fingers clear of the red flip-down ring, as it closes under tension and can pinch fingers and skin.

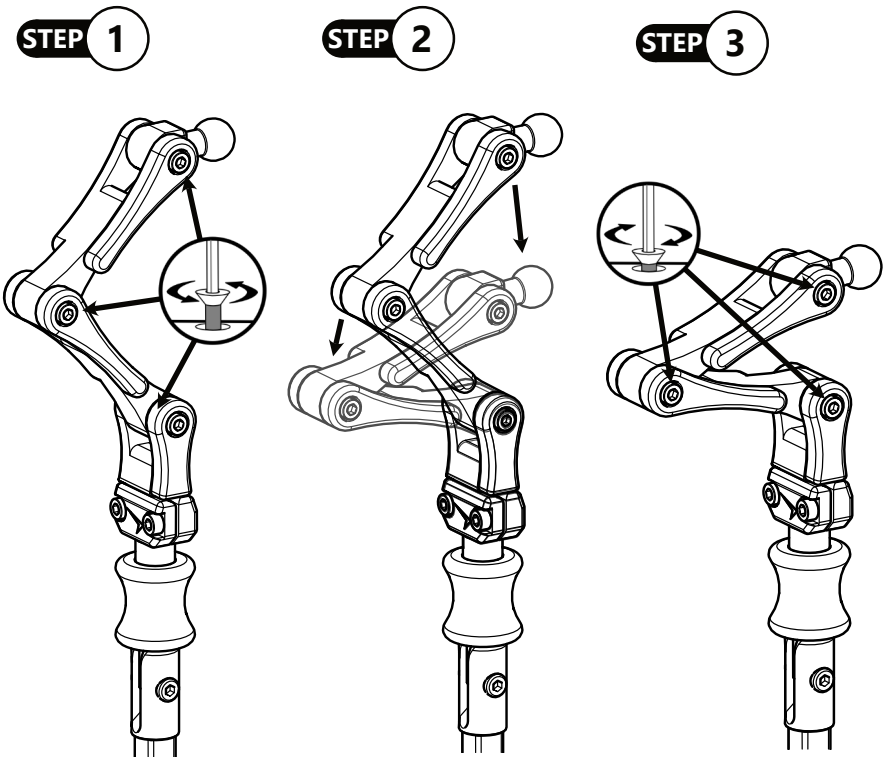
Link Adjustment

UHB2D232FD & UHB3D232FD

These two models come standard with **UniLink™** headrest hardware installed. The links are adjusted in a fashion similar across all **UniLink™** products. If you are using another model, please consult the manual for that model for any differences or special instructions that may be present.

To adjust the **UniLink™** headrest hardware:

- Step 1:** With a 4mm hex key, loosen the M5 socket head screw at the bottom end of the link you wish to adjust.
- Step 2:** Move the link section above the screw to the desired position.
- Step 3:** Tighten the screw to secure the link. Do not overtighten.



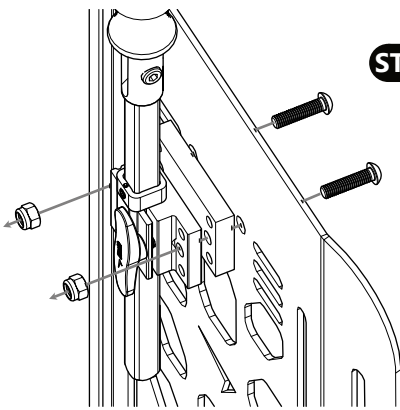
Seat Back Mount Installation

Step 1: Align the seat back mount to the back at the necessary height. Using two or four socket head screws (see Option 1 or Option 2 below), secure the seat back mount to the back frame. Tighten with a 5mm hex key.

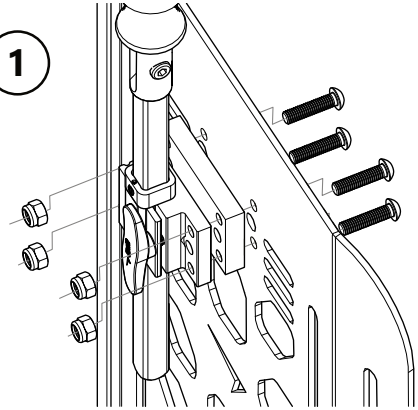
Step 2: Loosen the seat back mount handle slightly for down post clearance.

Step 3: Insert down post into the seat back mount opening.

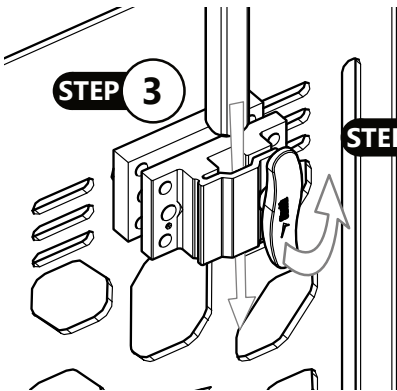
Step 4: Secure the down post to the seat back mount by tightening the handle in a clockwise direction. Ensure the bottom of the stop collar is flush to the top of the seat back mount clamp.



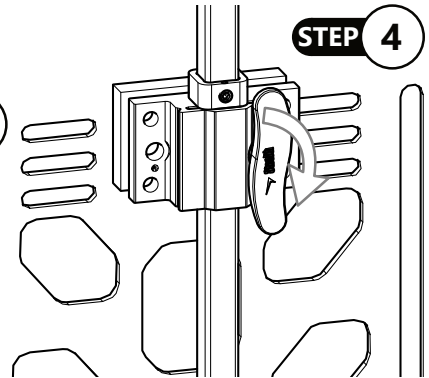
Option 1



Option 2



STEP 2



Do not over-tighten fasteners, as it may lead to damaged parts and premature failure. If repeated loosening of fasteners occurs, a suitable thread-locking compound can be applied.

Dealer Assistance

During first-time use by the user, it is advised that the dealer or service technician not only assembles the **UniLink™ Flip Down Mount**, but also explains the configuration of user positioning to the user (i.e., the user and/or the attendant). If needed, the dealer can make final adjustments.



WARNING

The **UniLink™ Flip Down Mount** should only be prescribed and fitted by a qualified health care professional.

User Testing

It is important that the customer is fully aware of the installation of the **UniLink™ Flip Down Mount**, how to use it, and how it can be adjusted to fit the client comfortably. As a dealer, proceed as follows:

- Explain and show the customer how you have executed the installation and explain the function.
- Have the user test the position of the **UniLink™ Flip Down Mount**.
- Is the hardware in the proper position for the client?
- Can all controls be operated safely and with minimal effort?
- If needed, make any adjustments to the positioning.
- Explain possible problems to the customer and how to address them.

Conditions of Use

The **UniLink™ Flip Down Mount** is intended for use as installed by the dealer, in accordance to the installation instructions in this manual.

Ensure the foreseen conditions of use are communicated by the dealer or service technician to the user and/or attendant during the first-time use.

If usage conditions change significantly, please contact your dealer or a qualified service technician to avoid unintended damage.



DANGER

Failure to comply with these warnings could result in serious bodily harm.

Safety

- Periodically check the hardware for loose screws or worn parts.
- Check the headrest for any foam breakdown and/or metal coming through the foam. This could be potentially dangerous to the client.

SAFETY

Repair or replace parts as needed.

WARNING

During transport, ensure that the client is properly aligned and that seat belts and harnesses are fastened.

WARNING

Make sure the alignment of the headrest will not cause the user to be moved into a position that would create force against any part of their body.

WARNING

Using a headrest without the covers in place can lead to discomfort for the user and excess wear on the pad foam.

Cleaning

- To wash the headrest cover, remove the cover from the headrest.
- Machine wash the cover in cold water, delicate cycle, and drip dry.
- Do not allow the foam to get wet.
- Do not use the headrest without the cover in place.

WARNING

DO NOT use bleach. **DO NOT** iron.
Do not wash or dry in temperatures in excess of 176°F (80°C).



© 2021, Stealth Products, LLC

Stealth Products, LLC · info@stealthproducts.com · www.stealthproducts.com
(800) 965-9229 | (512) 715-9995 | 104 John Kelly Drive, Burnet, TX 78611

P143D652

Jan 11, 2021