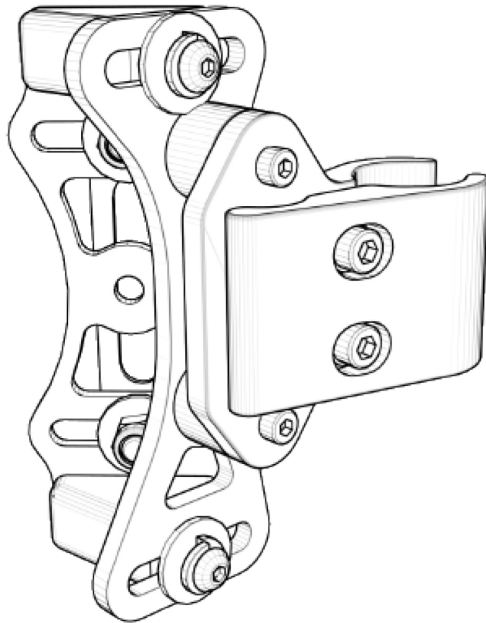


Stealth Products[®]



**Backs &
Support**



ADI 2-Point PRO Hardware

Owner's Manual - Maintenance Guide
ADI 2-Point PRO Mounting Hardware
for Aluminum & Carbon Series Backs

Table of Contents

Customer Satisfaction	i
Important Information	ii-iii
Warranty	ii
Supplier Reference.....	ii
Warning Labels.....	iii
Limited Liability.....	iii
Design and Function	1-2
Intended Use.....	1
Features.....	1
Mounting.....	1
2 Point PRO Hardware Package.....	2
Parts and Accessories	3
2 Point PRO Parts.....	3
Installation Instructions	4-8
Tools Required for Installation and Adjustment.....	4
Torque Specifications.....	4
Installing Stud Plate and U-Block Assembly.....	5
Fastening 2 Point Assembly to U-Block.....	6
Install the Back Support to the Back Posts.....	7-8
Adjustment Instructions	9-12
Height Adjustment AL/AFT Series	9
Width Adjustment.....	10
Depth Adjustment.....	11
Angle Adjustment	12
WC20 Transit Information	13-18
WC20 2 Point PRO Mounting Hardware	14
Before Transit	15
Belt Placement.....	16
Trays.....	18
User Safety	18
WC20 Hardware Installation	20
WC20 2 Point PRO Hardware Installation.....	20
Installing Label onto Cover.....	20
First-Time Use	21
Dealer Assistance	21
User Testing	21
Conditions of Use.....	21
Maintenance	22

Stealth Products is committed to 100% customer satisfaction. Your complete satisfaction is important to us. Please contact us with feedback or suggestions to help us improve the quality and usability of our products.

You may reach us at:



Stealth Products, LLC

104 John Kelly Drive,
Burnet, TX 78611

Phone: (512) 715-9995

Fax: (512) 715-9954

Toll Free: (800) 965-9229

Toll Free: (800) 806-1225

info@stealthproducts.com

www.stealthproducts.com



<table border="1"> <tr> <td>EC</td> <td>REP</td> </tr> <tr> <td colspan="2">MDSS GmbH Schiffgraben 41 30175 Hannover Germany</td> </tr> </table>	EC	REP	MDSS GmbH Schiffgraben 41 30175 Hannover Germany		<table border="1"> <tr> <td>CH</td> <td>REP</td> </tr> <tr> <td colspan="2">SODIMED SA Chemin Praz Devant 12 1032 Romanel sur-Lausanne Switzerland</td> </tr> </table>	CH	REP	SODIMED SA Chemin Praz Devant 12 1032 Romanel sur-Lausanne Switzerland		<p>UK Authorized Representative</p> <p>MDSS-UK RP 6 Wilmslow Road, Rusholme Manchester M14 5TP United Kingdom</p>
EC	REP									
MDSS GmbH Schiffgraben 41 30175 Hannover Germany										
CH	REP									
SODIMED SA Chemin Praz Devant 12 1032 Romanel sur-Lausanne Switzerland										

General

Read and understand all instructions prior to the use of the product. Failure to adhere to instructions and warnings in this document may result in property damage, injury, or death. Product misuse or failure to follow instructions will void the warranty.

Immediately discontinue use if any function is compromised, if parts are missing or loose, or if any component shows signs of excessive wear. Consult with your supplier for repair, adjustment, or replacement.

All persons responsible for fitting, adjustment, and daily use of the devices discussed in these instructions must be familiar with and understand all safety aspects of the devices mentioned. In order for our products to be used successfully, you must read and understand all instructions and warnings, and maintain our products according to our instructions on care and maintenance.

The installation instructions will guide you through this product's options and possibilities.

Instructions are written with the expressed intent of use with standard configurations. They also contain important safety and maintenance information, as well as describe possible problems that can arise during use. For further assistance, or more advanced applications, please contact your supplier or **Stealth Products** at (512) 715-9995 or toll free at (800) 965-9229.

Always keep the operating instructions in a safe place so they may be referenced as necessary.

All information, pictures, illustrations, and specifications are based on the product information that was available at the time of printing. Pictures and illustrations shown in these instructions are representative examples and are not intended to be exact depictions of the various parts of the product.

 **CAUTION**

These products are designed to be fitted, applied, and installed exclusively by a healthcare professional trained for these purposes. The fitting, application, and installation by a non-qualified individual could result in serious injury.

Warranty

Our products are designed, manufactured, and produced to the highest of standards. If any defect in material or workmanship is found, Stealth Products will repair or replace the product at our discretion. Any implied warranty, including the implied warranties of merchantability and fitness for a particular purpose, shall not extend beyond the duration of this warranty. **Stealth Products** does not warrant damage due to, but not limited to: misuse, abuse, or misapplication of product, and/or modification of product without written approval from **Stealth Products, LLC**. Any alteration or lack of serial number, where applicable, will automatically void all warranty.

Stealth Products, LLC is liable for replacement parts only. **Stealth Products, LLC** is not liable for any incurred labor costs.

Stealth Products warrants against failure due to defective materials or workmanship:

Covers: 2 years
Hardware: 5 years
Electronics: 3 years

In the event of a product failure covered by our warranty, please follow the procedures outlined below:

Call **Stealth Products** at (512) 715-9995 or toll free at (800) 965-9229.

Request a Return Authorization (RA) form from the Returns Department and follow the documentation instructions.

You can download additional copies of this manual by accessing the Stealth website (<https://stlpro.site/stealth-docs>) and searching "2 Point PRO" in the search bar at the top of the page.

Supplier Reference

Supplier:	
Telephone:	
Address:	
Purchase Date:	
Model:	

Warning Labels

Warnings are included for the safety of the user, client, operator, and property. Please read and understand what the signal words **DANGER**, **WARNING**, **CAUTION**, **NOTICE**, and **SAFETY** mean, and how they could affect the user, those around the user, and property.



DANGER

Identifies an **imminent** situation which, if not avoided, may result in **severe injury, death, and property damage**.



WARNING

Identifies a **potential** situation which, if not avoided, may result in **severe injury, death, and property damage**.



CAUTION

Identifies a **potential** situation which, if not avoided, may result in **minor to moderate injury and property damage**.

NOTICE

Identifies important information not related to injury, but possible **property damage**.

SAFETY

Indicates steps or instructions for safe practices, reminders of safe procedures, or important safety equipment that may be necessary.

Limited Liability

Stealth Products, LLC accepts no liability for personal injury or damage to property that may arise from the failure of the user or other persons to follow the recommendations, warnings, and instructions in this manual.

Stealth Products does not hold responsibility for final integration of final assembly of product to end user. **Stealth Products** is not liable for user death or injury.

Intended Use

The **ADI 2 Point PRO Mounting Hardware** is specifically designed for rigid frame wheelchairs, providing non-removable mounting hardware while still offering angle, depth, and width adjustability.

Features

The **ADI 2 Point PRO Mounting Hardware** features:

- Adjustable positioning.
- Angle adjustment without loss of depth.
- Depth and width adjustments.
- Compatibility with all ADI backs.
- A WC20 hardware option available.

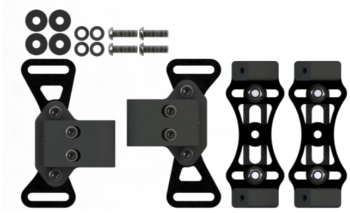

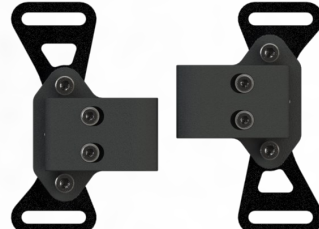



Mounting

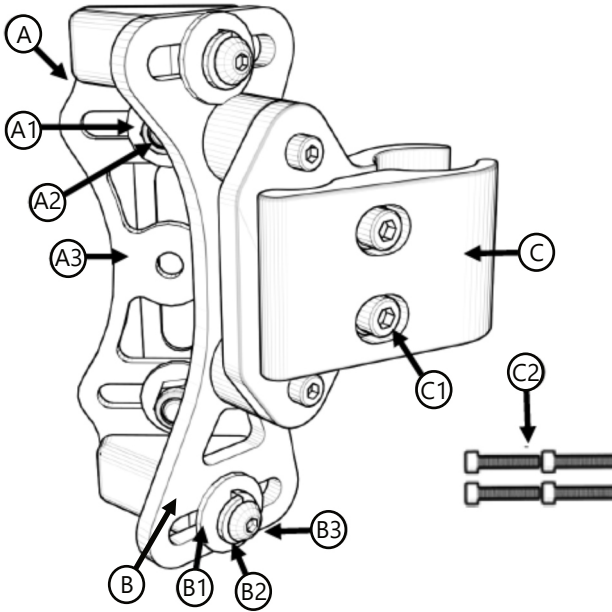
The **ADI 2 Point PRO Mounting Hardware** is a non-removable hardware that offers adjustability. This hardware has been WC20 tested and is approved to be used in transit **ONLY** if installed on a WC20-approved seat and WC19 -approved chair frame.

2 Point PRO Hardware Package

The **2 Point PRO Mounting Hardware** can be ordered as a regular set of mounting hardware, or can be ordered as WC20 approved hardware.

Part Number	Product Description	Image
BR1103	Complete 2 Point PRO Mounting Hardware Package	
BR1103 with BR6006	Complete 2 Point PRO WC20-Approved Mounting Hardware Package	
BR2PP	Mounting Kit - 2 Point PRO	
BR5001	U-Block Assembly	

2 Point PRO Parts

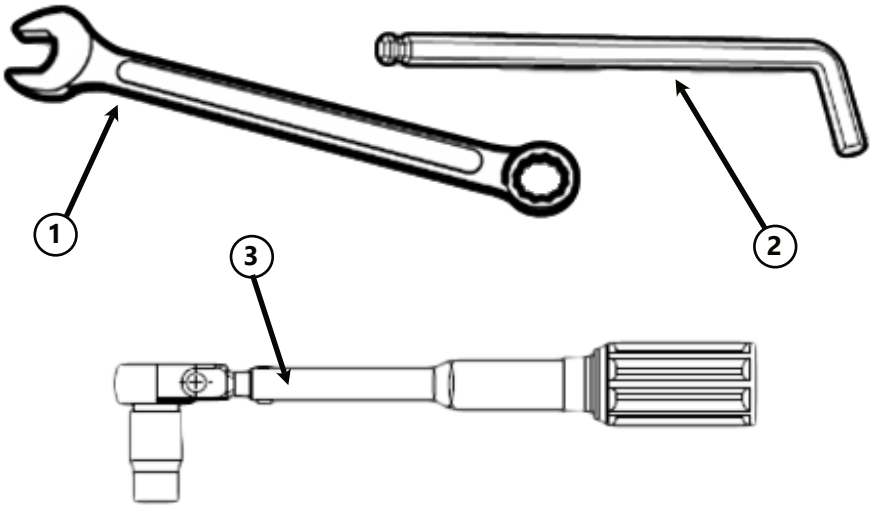


		Description
A	2 Point PRO U-Block w/Stud Plate (2)	A1 M6 x 1 Nylon Lock Nut
		A2 M6 x 18mm Fender Washer
		A3 Stud Plate (2)
B	Left/Right Side Clamp Assembly	B1 M6 x 18mm Fender Washer (4)
		B2 M6 Split Washer (4)
		B3 M6 x 1 x 20mm BHS (4)
C	Back Post Clamp (2)	C1 M5 x .8 x 25mm SHS ¹ (4)
		C2 M5 x .8 x 25mm SHS ² (4)

¹ Used for mounting onto 3/4" and 1" canes.

² Used for mounting onto a 1" cane.

Tools Required for Installation and Adjustment



	Tools	Description
1	Wrench	10mm
2	Allen Wrench / T-Handle	4mm
3	Torque Wrench	in-lb

Torque Specifications

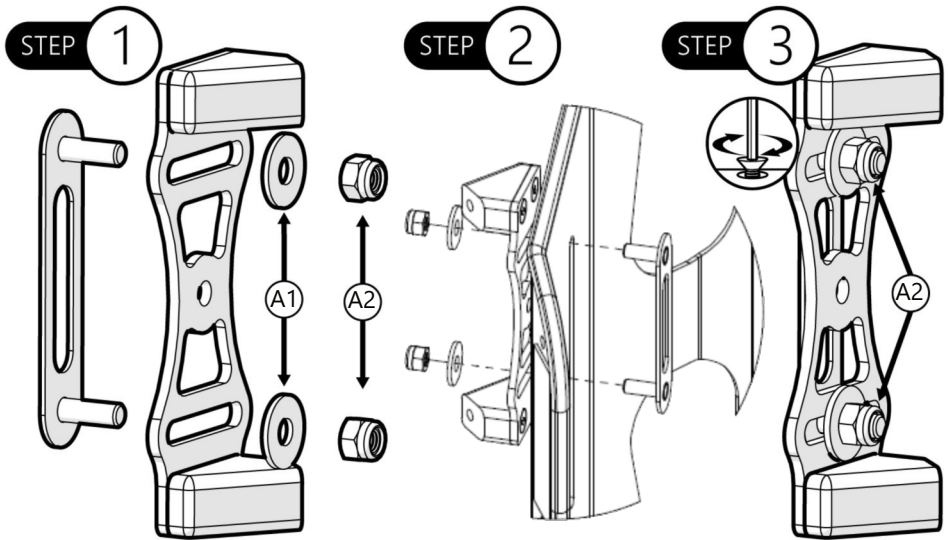
Part Number	Torque Specs
BR5001 (C2)	117 in-lb. (13.2 N·m)
BR1100 (A2)	45.1 in-lb. (5.1 N·m)
BR1101 (B3)	77 in-lb. (8.7 N·m)

Installing Stud Plate and U-Block Assembly

Step 1: Determine the desired location for the stud plate to be placed along the pre-cut slots in the back shell.

Step 2: Insert the stud plate onto the back. Align the stud plate to the u-block.

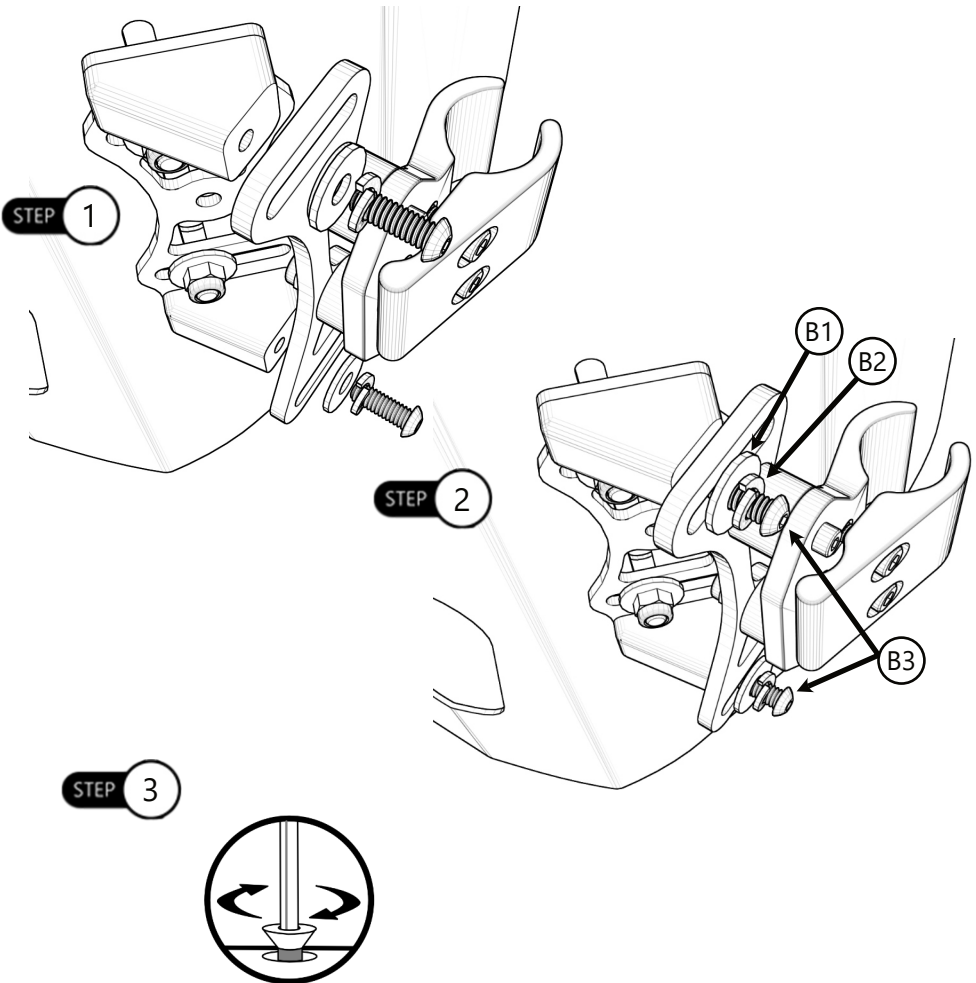
Step 3: The lock nuts (A2) should be tightened enough to hold the u-block in place, but not to torque specification until final position has been established.



Install the U-Block before placing the cover over the back.

Fastening 2 Point Assembly to U-Block

- Step 1:** Align 2 Point mounting bracket and cane clamp with the assembled and mounted U-Block.
- Step 2:** Insert M6 screw (B3) (x2) into washers (B1, B2) (x2) and attach assemblies to left and right side U-Blocks using 4mm hex key.
- Step 3:** After final adjustments are complete, tighten all M6 nuts.

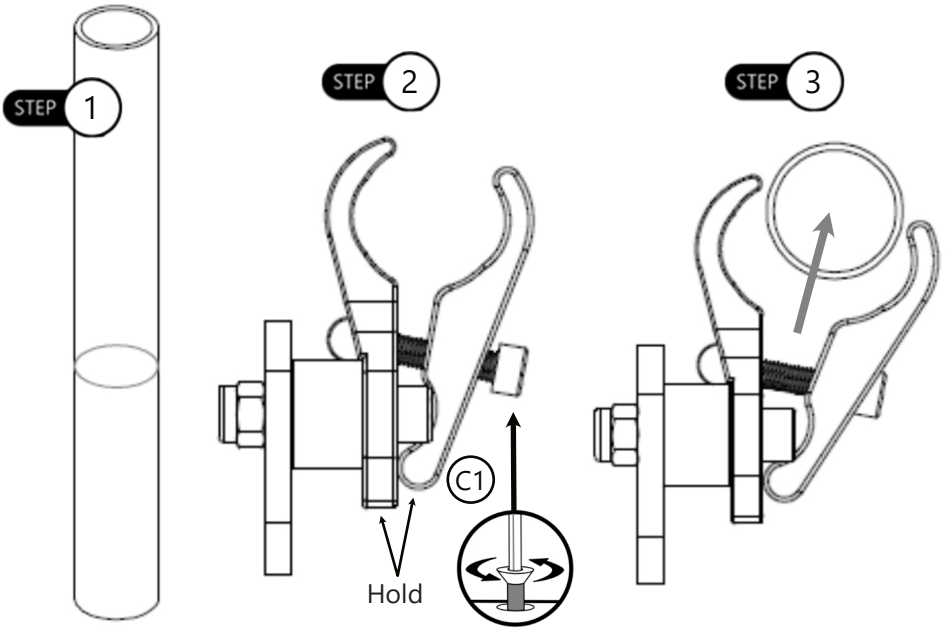


Install the Back Support to the Back Posts

Step 1: Visually determine the desired height of your back support. Make a mark on each back post indicating the desired location of clamp assemblies.

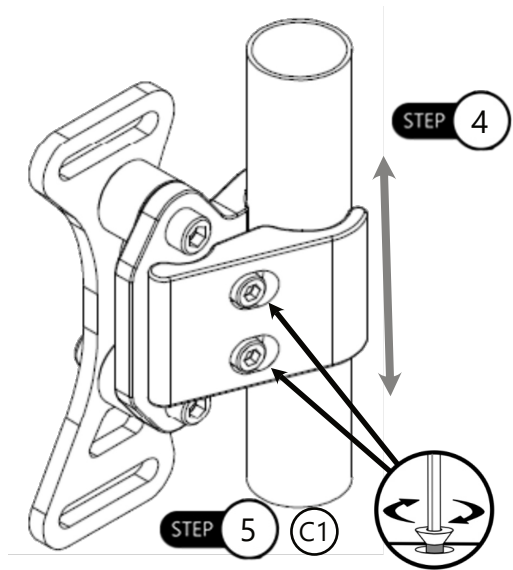
Step 2: Loosen the M5 screws (C1) on the clamps. Pinch and hold the back of the post clamp open to clear the width of the back post. Screws do not have to be completely removed from hardware in order to slide clamp over post.

Step 3: Slide the clamps onto the back posts.*



* Back support hardware is attached to the shell at this point, but is not included in this illustration.

Step 4: Slide the clamps and mounting hardware up or down the back posts to adjust the height of the back support.



Step 5: Tighten the screws (C1) to the proper torque to secure the back support to the back posts. Torque values are located in "Torque Specifications" on page 4

CAUTION

For 1" canes, the provided 25mm socket head screws (C2) should be used.

NOTICE

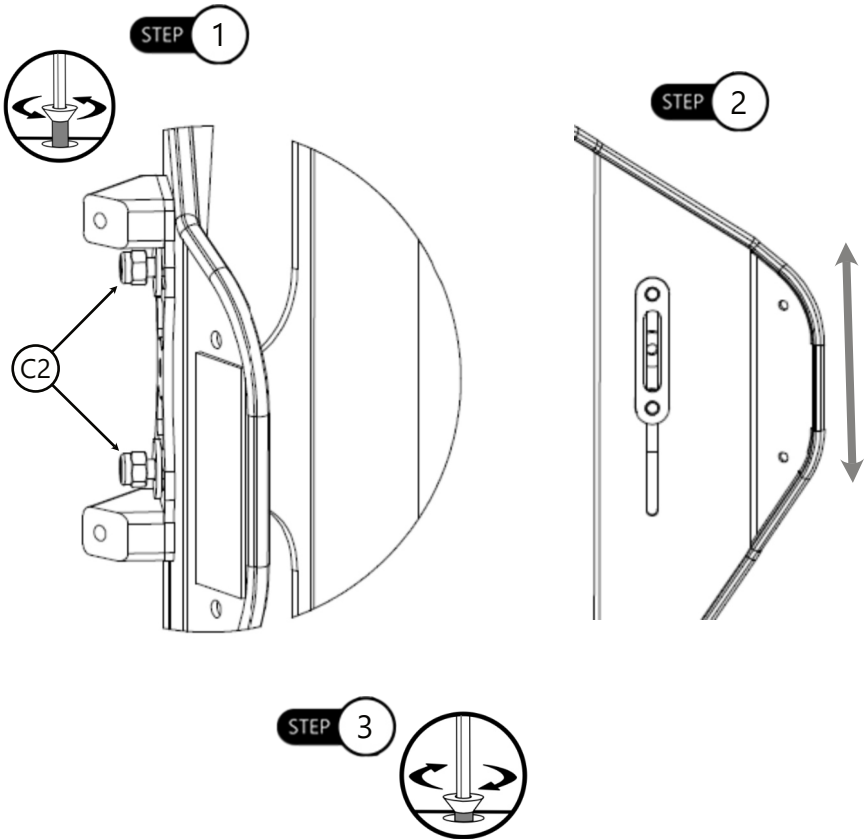
The mounting hardware should be installed at equal heights on the left and right sides and parallel to the seat frame.

Height Adjustment AL/AFT Series

Step 1: With a 10mm wrench, loosen the M6 nuts (A2) holding the U-Block (A) to the Stud Plate (A3).*

Step 2: Slide the back shell up or down to the desired height.

Step 3: Tighten and secure M6 nuts. Torque values are listed in "Torque Specifications" on page 4.



* U-Block and Stud plate shown without attached Clamp Assembly for clarity.

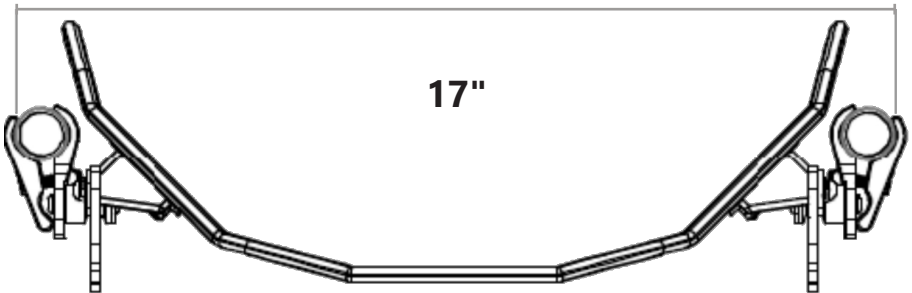
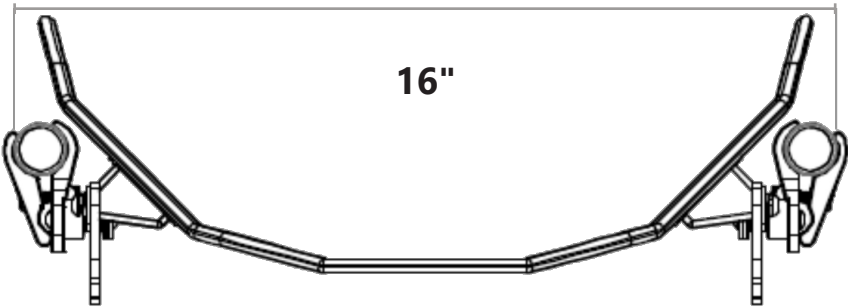
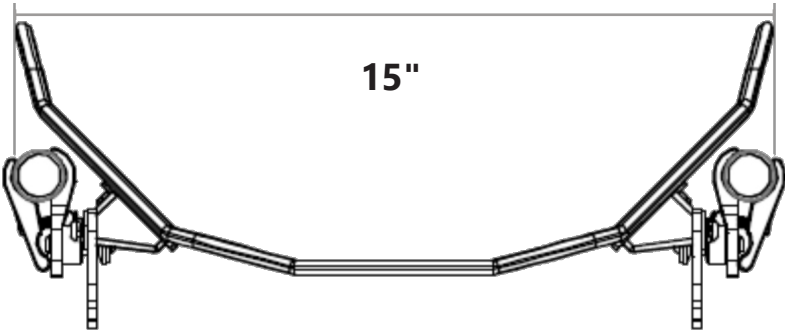


Drilling holes into Carbon Fiber (CF) back supports to reposition the hardware to a different height is not recommended and will void your warranty.

Width Adjustment

Installed width is dependent on the distance between the back posts and will affect the initial depth of the mounting hardware in relation to the back posts.

Minimum and maximum measurements* for width adjustment:



* Measurements shown are for a 16" AL Series back.

NOTICE

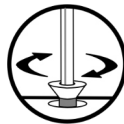
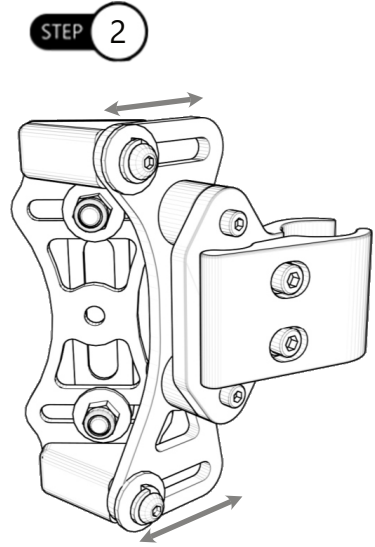
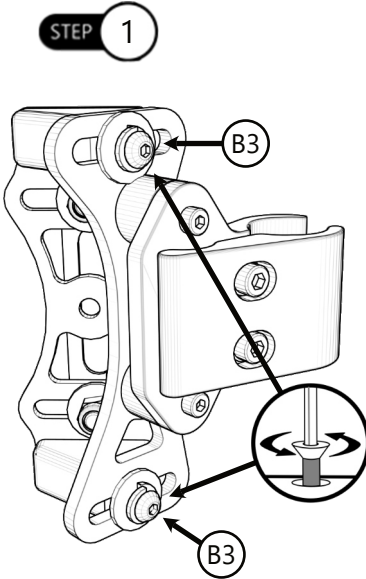
Minimum and maximum growth for the width of the hardware is approximately 1".

Depth Adjustment

Step 1: On each side of the hardware, loosen the top and bottom screws (B3) with a 4mm hex key.

Step 2: Slide back support forward or aft to achieve desired user's depth.

Step 3: After final adjustments are complete, tighten all screws.

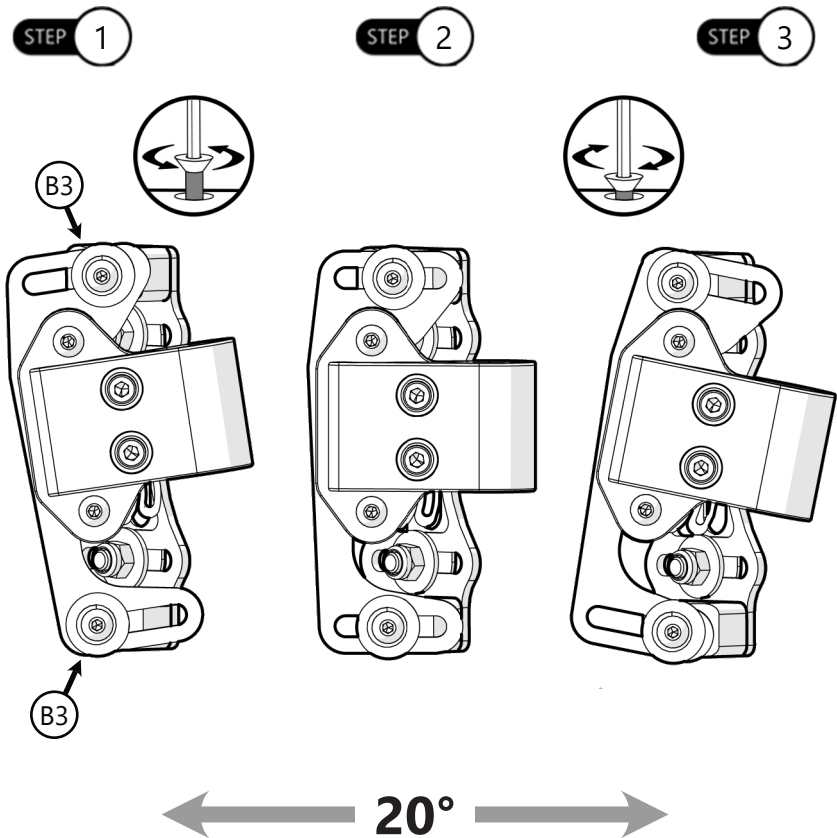


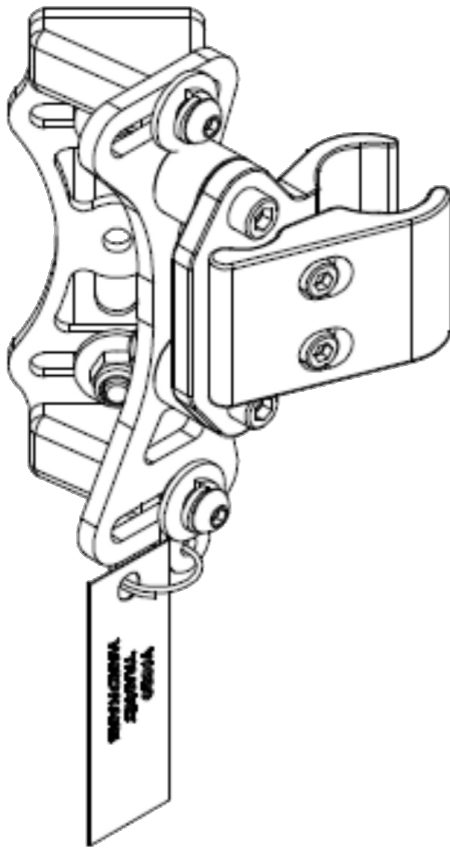
Angle Adjustment

Step 1: On each side of the hardware, loosen the top and bottom screws (B3) with a 4mm hex key.

Step 2: Adjust back support to achieve desired user angle.

Step 3: After final adjustments are complete, tighten all screws.





WC20-Approved 2 Point PRO Mounting Hardware
For All Aluminum Back Supports

WC20 2 Point Pro Mounting Hardware

The 2 Point PRO hardware can be ordered as a WC20 package. This includes the hardware and transit pins.

The 2 Point PRO mounting hardware has met WC20 and ISO16840-4 requirements and provisions

 **CAUTION**

The WC20 approved 2 Point PRO hardware and AL/AFT backs should only be used as described in the manufacturer's instructions.

WC20 establishes design and performance requirements and test methods for complete seating systems that consist of a seat, back support, and attachment hardware.

NOTICE

If the BR6006 order is placed after a shell has been ordered, the corresponding label **MUST** be permanently affixed to the cover in order for the hardware to be WC20 compliant.

SAFETY

ADI's Carbon Fiber (CF) Series backs are **NOT** WC20 approved.

Before Transit

- Clients who use wheelchairs should transfer to the vehicle seat and use the vehicle-installed occupant restraint systems.
- Prior to transporting, always double check the tie-downs and hardware.
- On tie-downs and restraints, look for tears or worn webbing straps. Replace as necessary and never use torn straps.
- Look for damaged hooks or loose tie-down hardware.
- On the seating system, check for loose screws attaching the hardware to the seat. These should be snug and not over-tightened.
- The 2 Point PRO hardware should be securely attached to the back, and the transit pins should be properly inserted into the hardware.



DANGER

The WC20-approved 2 Point PRO hardware and the AL/AFT backs are designed specifically for occupancy when used on wheelchairs that are facing forward in motor vehicles.



DANGER

The WC20-approved 2 Point PRO hardware and AL/AFT backs have been designed to accommodate the proper use of vehicle anchored belt restraints and the ratings of the seating systems with regard to ease of properly positioning vehicle-anchored belt restraints on the wheelchair passenger, and the degree to which proper positioning of belt restraints can be achieved.

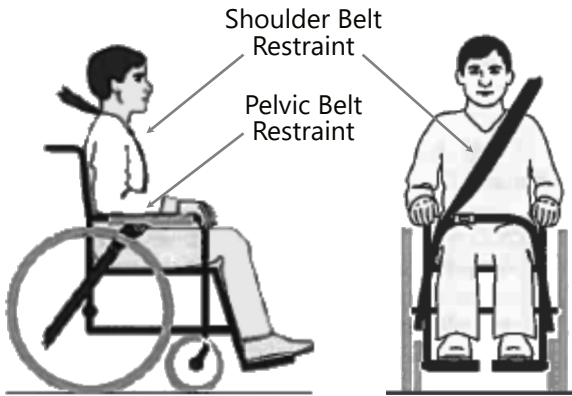


DANGER

Alterations or substitutions should not be made to the seating system or to its parts and components without consulting the manufacturer.

Belt Placement

- The pelvic belt restraint should be worn low, across the front of the pelvis near the junction of the pelvis and thighs.
- The restraint buckle of three-point belt restraints should be placed in contact with the occupant's body and away from wheelchair components.
- The junction of the shoulder belt and pelvic belt of three-point-belt restraints should be located near the hip opposite the shoulder over which the diagonal belt crosses and not near the mid-line of the occupant.



- Upper torso belt restraints should fit directly over, and in contact with, the middle of the shoulder.

CAUTION

Belt restraints should be adjusted to fit as snugly as possible, consistent with user comfort.

SAFETY

Belt restraints should be positioned on the wheelchair occupant in accordance with WTORS manufacturer's instructions.

Improper Positioning of Belts on Occupant



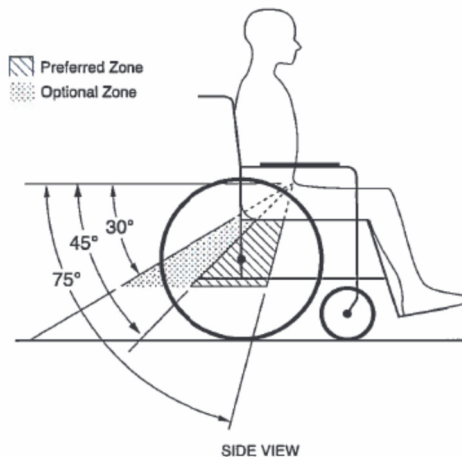
- Belt restraints should not be routed outside of the wheelchair wheels or over the wheelchair arm supports and should not be held away from the body by wheelchair components or parts.

SAFETY

Belt restraints should not be worn twisted in a manner that reduces the area of contact of the belt webbing with the occupant.

Both pelvic-belt and shoulder-belt restraints that comply with RESNA WC-4:2012, Section 18 and/or 4.6, 5.2, 5.3 or RESNA WC-4:2012, Section 19 should be used to limit occupant movement in a crash and reduce the likelihood of occupant ejection from the vehicle and/or injurious contact of the occupant with the vehicle interior.

The pelvic belt should be angled between 30° to 75° horizontally when viewed from the side, and ideally between 45° to 75° horizontally, as shown in the figure below.



 **WARNING**

Back Supports with adjustable recline angles should not be tilted back more than 30° to the vertical during travel in vehicles unless necessary for the medical and postural needs of the occupant.

 **WARNING**

If the back support must be adjusted to an angle that is greater than 30° to the vertical during travel, the upper shoulder-belt anchor point should be adjusted rearward to maintain belt contact with the wheelchair occupant's shoulder and chest.

Trays

Wheelchair mounted rigid trays that are not specifically designed for use during travel in motor vehicles should be:

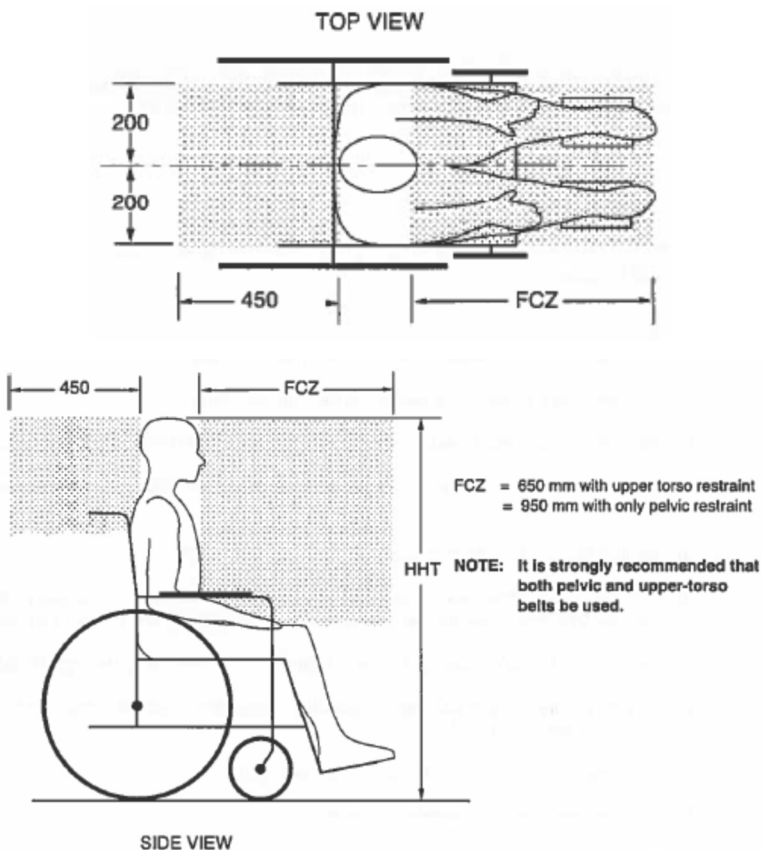
- Removed and secured separately in the vehicle.
- Secured to the wheelchair so they will not break free in a crash.
- Be positioned with a gap of at least 75mm (3 in.) between the back edge of the tray and the wheelchair occupant's abdomen and/or chest so as not to interfere with proper belt-restraint use.
- Have energy-absorbing padding placed between the back edge of the tray and the wheelchair occupant.

User Safety

The use of a postural pelvic belt attached to the wheelchair base or seat frame is encouraged during travel, but these belts should be positioned so that they do not interfere with the proper positioning of crash-worthy belt restraints, and they should not be relied upon for occupant protection in crash situations unless the postural belt has been designed to comply with, and perform to, the requirements 4.6, 5.2, and 5.3 of RESNA WC-4:2012, Section 19.

Sufficient forward and rearward clear space should be provided around the wheelchair occupant.

The forward clear-space zone (FXZ) needs to be larger when a shoulder-belt restraint is not used.



When mounting the WC20 2 Point PRO hardware to your AL or AFT back, refer to the installation instructions starting on page 3.

Torque specifications for the hardware are listed in the Parts and Accessories section on page 2

⚠ DANGER

The WC20-approved 2 Point PRO hardware and AL/AFT backs are designed **ONLY** for use with wheelchair frames that have been successfully crash tested to the frontal impact requirements of RESNA WC-4:2012, Section 19.

⚠ WARNING

The WC20-approved 2 Point PRO hardware and AL/AFT backs **MUST** be used on a wheelchair frame that provides four securement points and pelvic belt anchor points that conform to the requirements of RESNA WC-4:2012, Section 19.

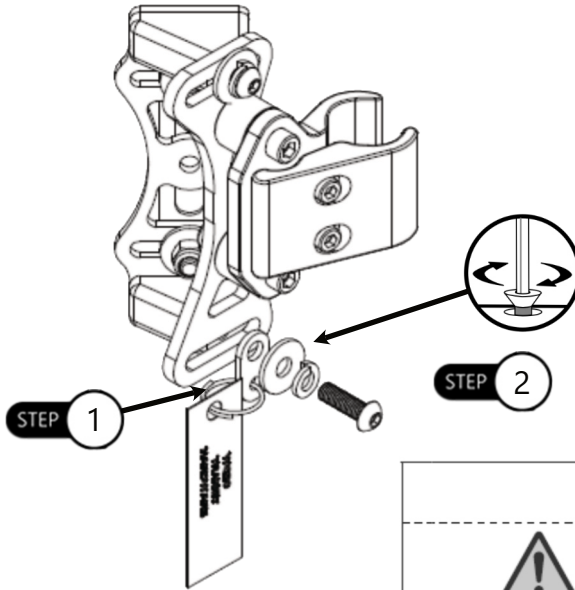
WC20 2 Point PRO Hardware Installation

Follow the installation instructions starting on page 3 to install the WC20 approved hardware.

To install the WC20 safety tag onto the hardware, follow the instructions below:

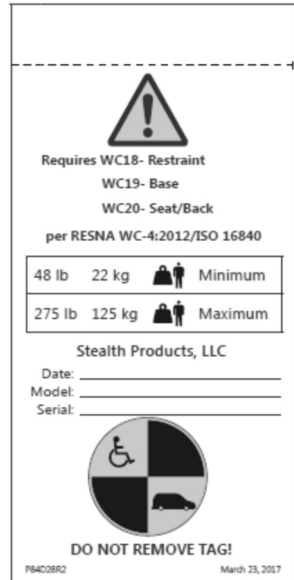
Step 1: Attach the WC20 safety tag onto the tab.

Step 2: Align the tab, washers and screw with the hardware and secure.



Installing Label onto Cover

The WC20 Label will need to be secured to the cover of the ADI back if the WC20 package is ordered separately. The label must be sewn to the cover in order to be WC20 compliant.



Dealer Assistance

During first time use by the client, it is advised that the dealer or service technician assists and explains the set-up to the customer (the user and/or the attendant). If needed, the dealer may make final adjustments.

CAUTION

Do not attach the back with the user in the chair.

SAFETY

Do not use the ADI backs during transportation unless you are using the 2 Point PRO hardware with the WC20-approved pins.

User Testing

It is important that the customer is fully aware of the installation, how to use it, and what can be adjusted in order to gain as much mobility as possible. As a dealer, proceed as follows:

- Explain and show the customer how you have executed the installation, and explain the function of the hardware.
- If needed, adjust the hardware to the proper position.
- Explain to the customer possible problems and how to address them.

Conditions of Use

The ADI hardware is intended for use as installed by the dealer, in accordance with the installation instructions in this manual.

- The foreseen conditions of use are communicated by the dealer or service technician to the user and/or attendant during the first time use.
- If the usage conditions change significantly, please contact your dealer or a qualified service technician to avoid excessive wear and tear or unintended damage.

Cleaning

- Use a soft cloth to clean the back shell.
- Hand wash the foam pad cover with mild, soapy water or detergent and let dry.
- Foam pad should NOT get wet.

**WARNING**

DO NOT immerse foam in water.
DO NOT wash or machine dry.
DO NOT hand wash in water temperatures above 160°F (70°C).

Disinfection

- Wipe gently with a cloth dampened with a household disinfectant.
- Allow foam to air dry thoroughly.

SAFETY

Always check all mounting hardware, making sure each fastener is properly tightened before using the back support.

**WARNING**

User weight limit
250 lb. (113.40 kg)

NOTICE

Altering an ADI back in any way
and/or improper installation will void the warranty.



© 2022, Stealth Products, LLC

Warranty Information



Home Page



Online User Manual



Stealth Products, LLC · info@stealthproducts.com · www.stealthproducts.com
(800) 965-9229 | (512) 715-9995 | 104 John Kelly Drive, Burnet, TX 78611