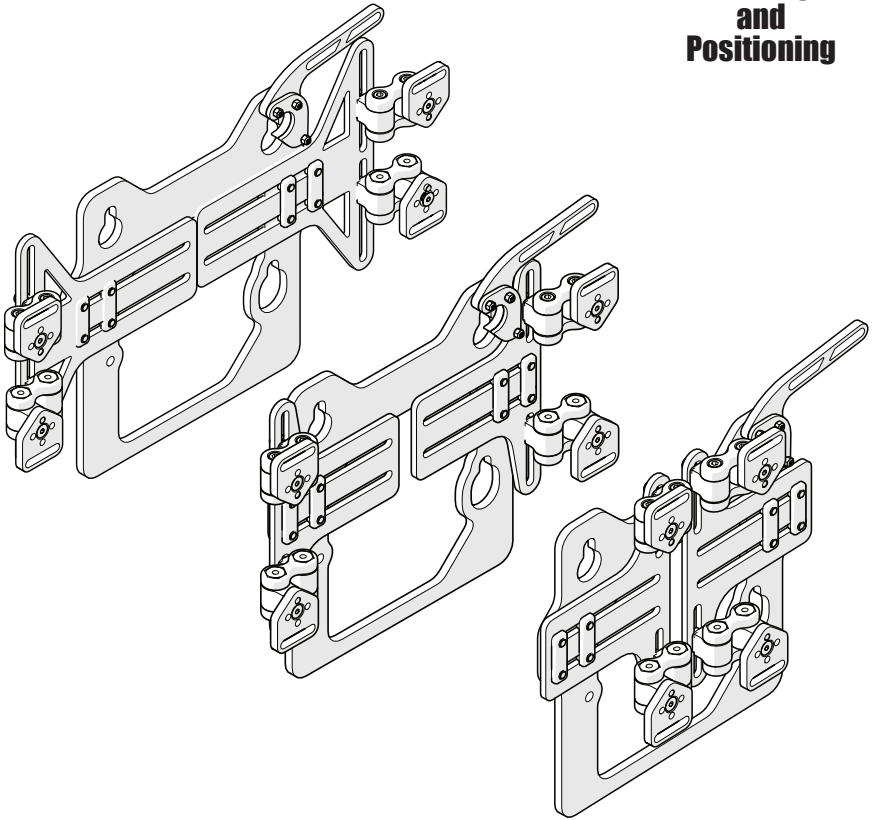


**Stealth Products**<sup>®</sup>



**Seating  
and  
Positioning**



## **Simple Solutions Adapter Interface**

---

Owner's Manual - Maintenance Guide

Simple Solutions Adapter Interface  
for the Quantum Rehab<sup>®</sup> TRU-Balance<sup>®</sup> 3 Seating System

# Table of Contents

<b>Customer Satisfaction</b> .....	<b>i</b>
<b>Important Information</b> .....	<b>ii</b>
Warranty .....	ii
Supplier Reference.....	ii
<b>Warning Labels</b> .....	<b>iii</b>
Warning Labels.....	iii
Limited Liability .....	iii
Testing.....	iii
<b>Design and Function</b> .....	<b>1</b>
Intended Use.....	1
Features.....	1
Compatibility.....	1
<b>Parts and Accessories</b> .....	<b>2</b>
Parts List.....	2
<b>Installation Instructions</b> .....	<b>3-8</b>
Preparations .....	3
Installation Plan.....	3
Required Tools .....	3
Link Adjustment.....	4
Mounting Plate Rotation .....	4
Mounting Plate Height Adjustment.....	5
Mounting Plate Width Adjustment .....	5-6
Installing the Adapter to the Back Support .....	7
Installing and Removing the Adapter.....	8
<b>First-Time Use</b> .....	<b>9</b>
Dealer Assistance .....	9
User Assistance .....	9
Conditions of Use.....	9
<b>Care and Maintenance</b> .....	<b>10</b>
Disinfection.....	10
Maintenance.....	10

**Stealth Products** is committed to 100% customer satisfaction. Your complete satisfaction is important to us. Please contact us with feedback or suggestions to help us improve the quality and usability of our products.

You may reach us at:



**Stealth Products, LLC**

104 John Kelly Drive,  
Burnet, TX 78611

Phone: (512) 715-9995

Fax: (512) 715-9954

Toll Free: (800) 965-9229

Toll Free: (800) 806-1225

info@stealthproducts.com

www.stealthproducts.com



<table border="1"> <tr> <td><b>EC</b></td> <td><b>REP</b></td> </tr> <tr> <td colspan="2"><b>MDSS GmbH</b> Schiffgraben 41 30175 Hannover Germany</td> </tr> </table>	<b>EC</b>	<b>REP</b>	<b>MDSS GmbH</b> Schiffgraben 41 30175 Hannover Germany		<table border="1"> <tr> <td><b>CH</b></td> <td><b>REP</b></td> </tr> <tr> <td colspan="2"><b>SODIMED SA</b> Chemin Praz Devant 12 1032 Romanel sur-Lausanne Switzerland</td> </tr> </table>	<b>CH</b>	<b>REP</b>	<b>SODIMED SA</b> Chemin Praz Devant 12 1032 Romanel sur-Lausanne Switzerland		<p>UK Authorized Representative</p> <p><b>MDSS-UK RP</b> 6 Wilmslow Road, Rusholme Manchester M14 5TP United Kingdom</p>
<b>EC</b>	<b>REP</b>									
<b>MDSS GmbH</b> Schiffgraben 41 30175 Hannover Germany										
<b>CH</b>	<b>REP</b>									
<b>SODIMED SA</b> Chemin Praz Devant 12 1032 Romanel sur-Lausanne Switzerland										

**General**

Read and understand all instructions prior to the use of the product. Failure to adhere to instructions and warnings in this document may result in property damage, injury, or death. Product misuse or failure to follow instructions will void the warranty.

Immediately discontinue use if any function is compromised, if parts are missing or loose, or if any component shows signs of excessive wear. Consult with your supplier for repair, adjustment, or replacement.

All persons responsible for fitting, adjustment, and daily use of the devices discussed in these instructions must be familiar with and understand all safety aspects of the devices mentioned. In order for our products to be used successfully, you must read and understand all instructions and warnings, and maintain our products according to our instructions on care and maintenance.

The installation instructions will guide you through this product's options and possibilities.

Instructions are written with the expressed intent of use with standard configurations. They also contain important safety and maintenance information, as well as describe possible problems that can arise during use. For further assistance, or more advanced applications, please contact your supplier or **Stealth Products** at (512) 715-9995 or toll free at (800) 965-9229.

Always keep the operating instructions in a safe place so they may be referenced as necessary.

All information, pictures, illustrations, and specifications are based on the product information that was available at the time of printing. Pictures and illustrations shown in these instructions are representative examples and are not intended to be exact depictions of the various parts of the product.

## Important Information



These products are designed to be fitted, applied, and installed exclusively by a healthcare professional trained for these purposes. The fitting, application, and installation by a non-qualified individual could result in serious injury.

## Warranty

Our products are designed, manufactured, and produced to the highest of standards. If any defect in material or workmanship is found, Stealth Products will repair or replace the product at our discretion. Any implied warranty, including the implied warranties of merchantability and fitness for a particular purpose, shall not extend beyond the duration of this warranty. **Stealth Products** does not warrant damage due to, but not limited to: misuse, abuse, or misapplication of product, and/or modification of product without written approval from **Stealth Products, LLC**. Any alteration or lack of serial number, where applicable, will automatically void all warranty.

**Stealth Products, LLC** is liable for replacement parts only. **Stealth Products, LLC** is not liable for any incurred labor costs.

**Stealth Products** warrants against failure due to defective materials or workmanship:

**Covers: 2 years**  
**Hardware: 5 years**  
**Electronics: 3 years**

### NOTICE

Any substitutions of supplied hardware void the warranty. Misuse of items and "acts of nature" (e.g., flood, tornado) are not covered by the warranty.

In the event of a product failure covered by our warranty, please follow the procedures outlined below:

Call **Stealth Products** at (512) 715-9995 or toll free at (800) 965-9229.

Request a Return Authorization (RA) form from the Returns Department and follow the documentation instructions.

Additional warranty information may be found by visiting the website at <https://stlpro.site/returns-n-warranty>. Copies of this manual may be downloaded by accessing the Stealth website (<https://stlpro.site/stealth-docs>) and searching "P150D669" in the search bar at the top of the page.

## Supplier Reference

<b>Supplier:</b>	
<b>Telephone:</b>	
<b>Address:</b>	
<b>Purchase Date:</b>	
<b>Model:</b>	

## Warning Labels

Warnings are included for the safety of the user, client, operator, and property. Please read and understand what the signal words **DANGER**, **WARNING**, **CAUTION**, **NOTICE**, and **SAFETY** mean, and how they could affect the user, those around the user, and property.



### **DANGER**

Identifies an **imminent** situation which, if not avoided, may result in **severe injury, death, and property damage**.



### **WARNING**

Identifies a **potential** situation which, if not avoided, may result in **severe injury, death, and property damage**.



### **CAUTION**

Identifies a **potential** situation which, if not avoided, may result in **minor to moderate injury and property damage**.

### **NOTICE**

Identifies important information not related to injury, but possible **property damage**.

### **SAFETY**

Indicates steps or instructions for safe practices, reminders of safe procedures, or important safety equipment that may be necessary.

## Limited Liability

**Stealth Products, LLC** accepts no liability for personal injury or damage to property that may arise from the failure of the user or other persons to follow the recommendations, warnings, and instructions in this manual.

**Stealth Products** does not hold responsibility for final integration of final assembly of product to end user. **Stealth Products** is not liable for user death or injury.

## Testing

Initial setup and driving should be done in an open area free of obstacles until the user is fully capable of driving safely.

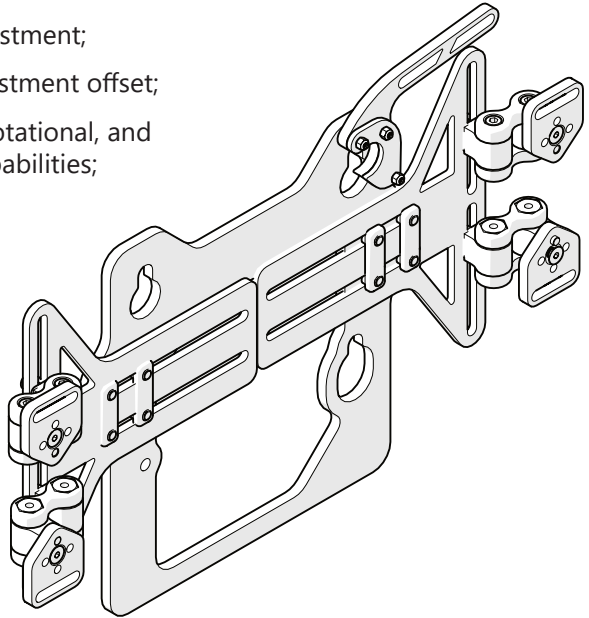
### Intended Use

The **Simple Solutions Adapter Interface** is designed to allow users of TB-series power chairs to install or interchange a wide range of back supports, as necessary, while maintaining support and stability, and remaining lightweight.

### Features

The **Simple Solutions Adapter Interface** offers:

- width and height adjustment;
- independent link adjustment offset;
- back support angle, rotational, and lateral adjustment capabilities;
- compatibility with a wide range of back supports;
- customizable fitting; and
- virtually no loss of seat depth.

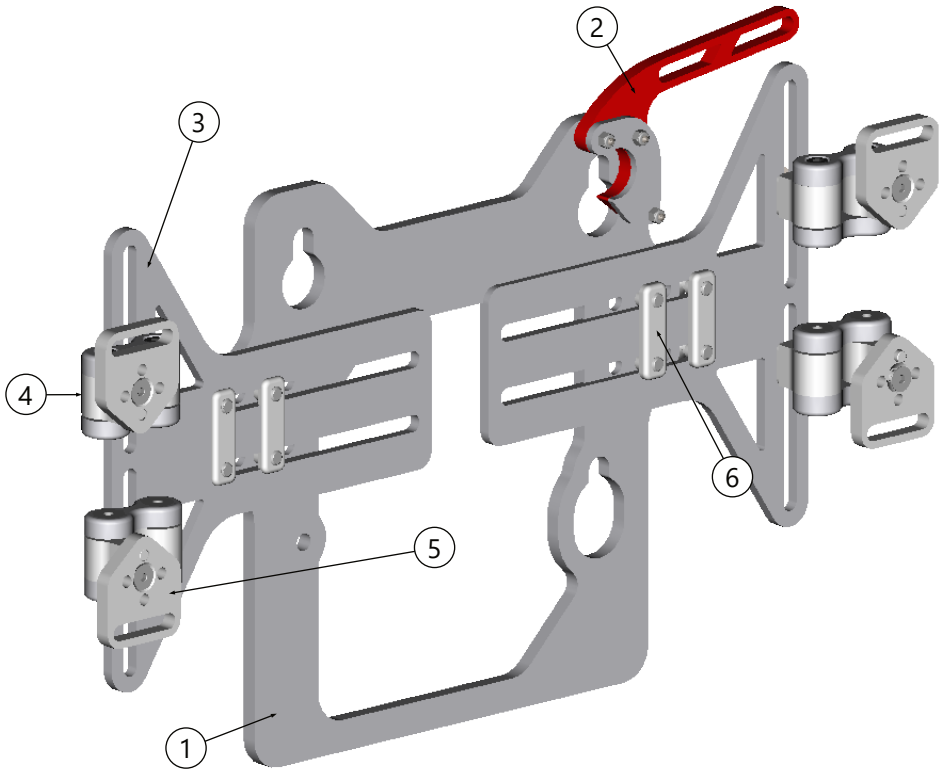


### Compatibility

The **Simple Solutions Adapter Interface** is designed to be compatible with the following market-available back supports:

- Matrx® Elite
- Jay® J3®
- Permobil Acta-Back® and Acta-Embrace®
- ROHO® AGILITY®
- Ride® Java® Back

## Parts List



	Description	Qty
1	Adapter Center Plate	1
2	Spring-Loaded Lever	1
3	Adapter Wing - TB4 Back	2
4	Adapter Mounting Link	4
5	Adapter Mounting Plate	4
6	Track Nut	4

## Installation Instructions

### Preparations

Only a qualified service technician may install the **Simple Solutions Adapter Interface** and its accessories.

### Installation Plan

Set up an installation plan before beginning the installation. This plan should take into account:

- the placement of the interface in relation to the back support;
- the manner in which the interface will be operated, including its attached adjustable thoracic laterals; and,
- the amount of clearance necessary for other hardware and accessories.



#### WARNING

Incorrect installation of the adapter interface or its accessories may cause damage to the hardware and/or injury to the user.

### Required Tools

Use the proper tools to install and adjust the adapter interface to the user's desired position and specifications.

Below are the tools needed to complete the installation of the adapter plate:



Tool	Used On
3mm Hex Key	Flat Head Screws on Mounting Plates
4mm Hex Key	Flat, Socket, and Button Head Screws throughout assembly
10mm Wrench	Nylon Lock Nuts to attach Interface to Shell

(Tools are not provided.)



#### CAUTION

The use of improper tools may cause damage to the device. Under- or over-tightening fasteners can cause components to fail or cause the user discomfort. The tools required to install additional accessories are detailed in the manuals provided with those accessories.



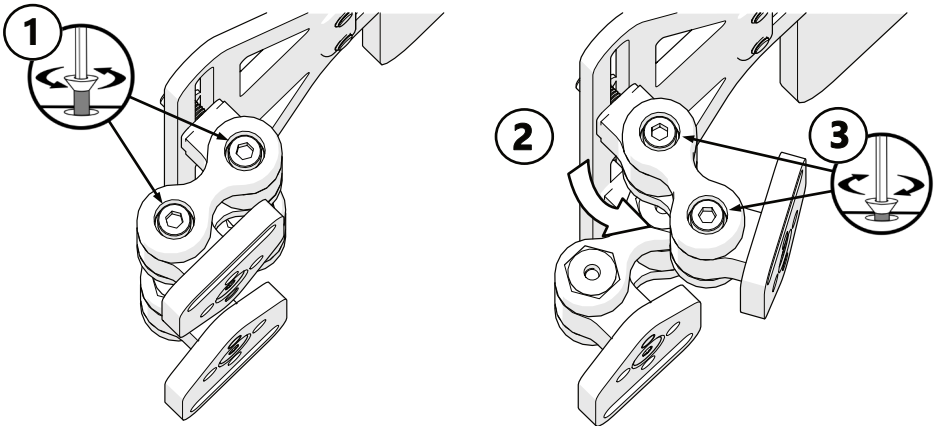
## Link Adjustment

The UniLink™ Adapter Links are used to provide fine width and lateral positioning adjustment for a back support.

**Step 1:** Loosen the 4mm socket head screws securing the links.

**Step 2:** Rotate the link to the desired position.

**Step 3:** Tighten the 4mm socket head screws to secure the link in the new position. The screw should be snug, but do not overtighten it.



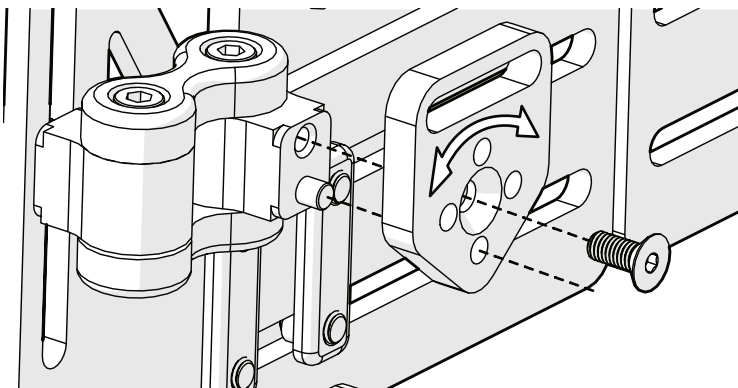
## Mounting Plate Rotation

The Adapter Mounting Plates can be rotated to four positions (90° apart) to align with the mounting locations of a back support.

**Step 1:** Loosen the 3mm flat head screw securing the mount to the link.

**Step 2:** Remove the mount from the link and rotate it in increments of 90° to align the pin with one of the four adjustment holes in the mount.

**Step 3:** Replace the mount on the link and secure with the 3mm flat head screw. The screw should be snug, but do not overtighten it.\*



\* A thread-locking compound can be applied, if needed.

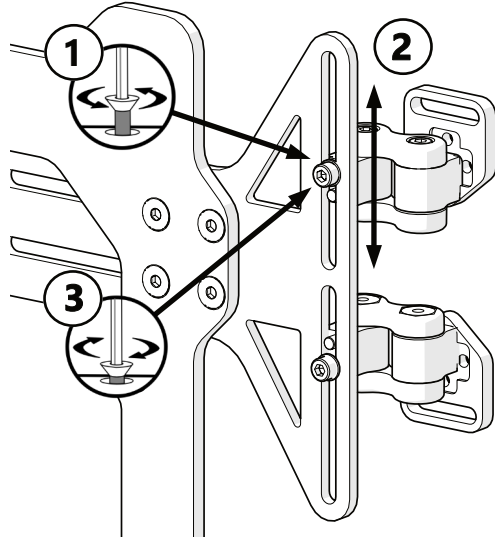
### Mounting Plate Height Adjustment

The Mounting Plates can be moved vertically to align with differently spaced mounting locations in a back support. Ideally, these should be spaced as far apart as the shell will allow.

**Step 1:** Loosen the 4mm socket head screw securing the link to the plate.

**Step 2:** Slide the link up or down into the new position.

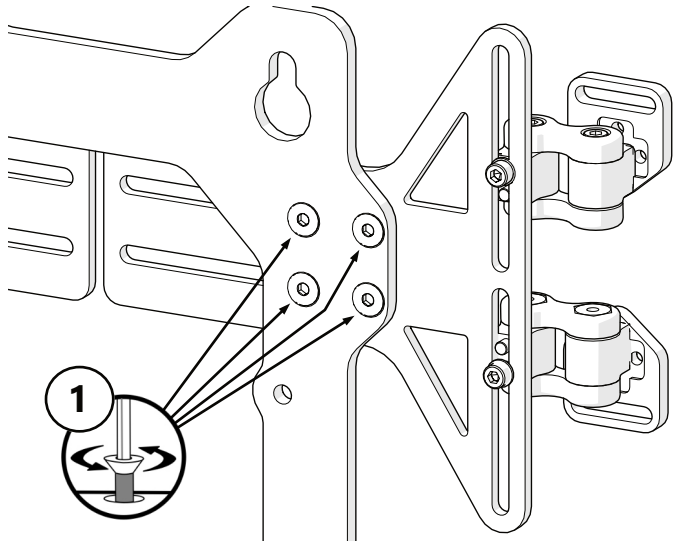
**Step 3:** Secure the link in the new position by tightening the 4mm socket head screw. The screw should be snug, but do not overtighten it.



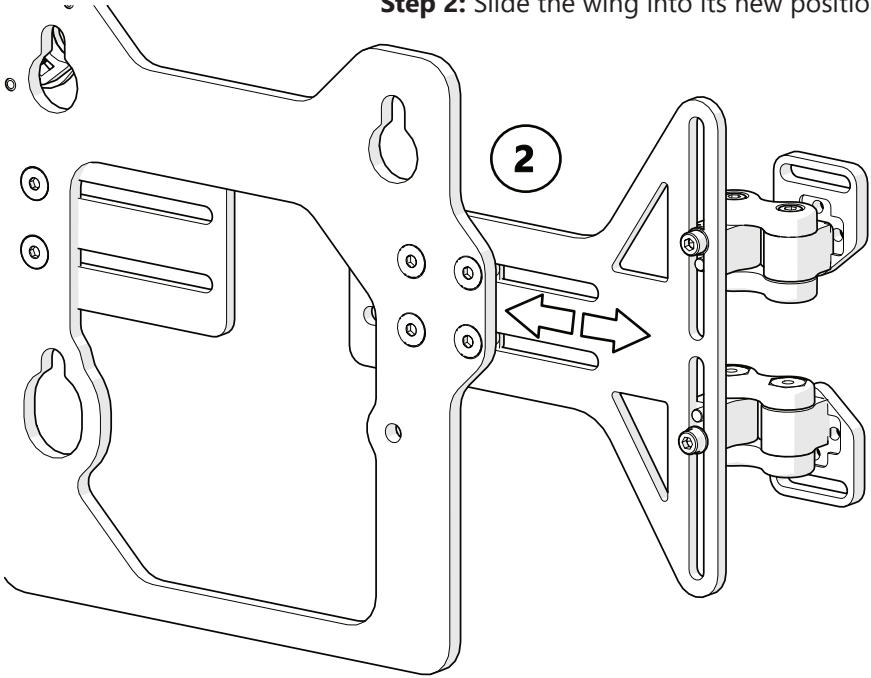
### Mounting Plate Width Adjustment

The Adapter Plate Wings are adjustable to fit different width back supports.

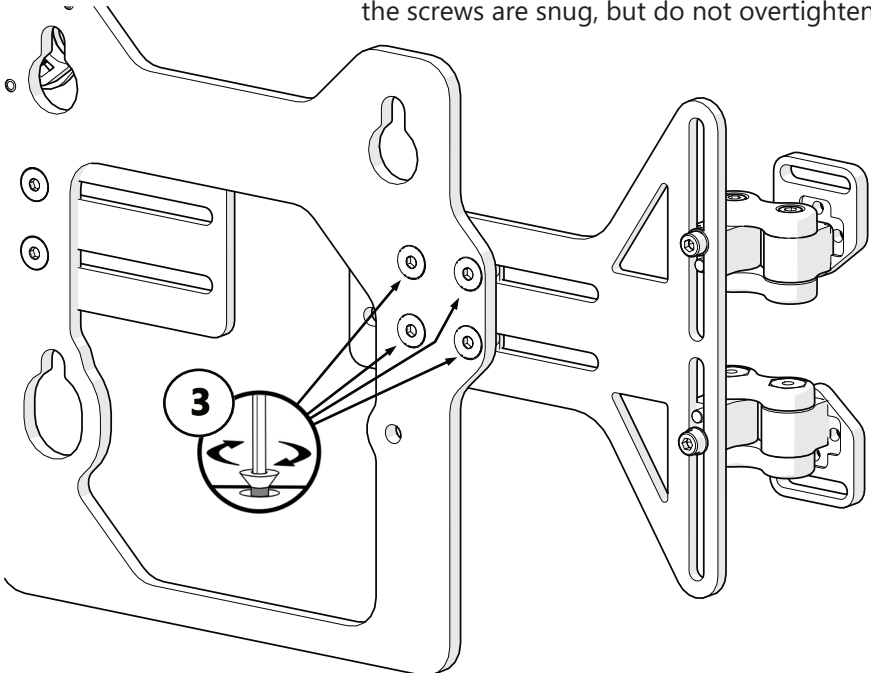
**Step 1:** With the 4mm hex key, loosen the four flat head screws securing the wing to the adapter interface.



**Step 2:** Slide the wing into its new position.



**Step 3:** Tighten the four flat head screws to secure the wing in its new position. Make sure the screws are snug, but do not overtighten.



### Installing the Adapter to the Back Support

Using a combination of the steps detailed on the previous pages, nearly any positioning possibility is achievable with the **Simple Solutions Adapter Interface**.

**Step One - Loosen the Fasteners:** Loosen the fasteners necessary to adjust the links and mounting plates to fit the back support.

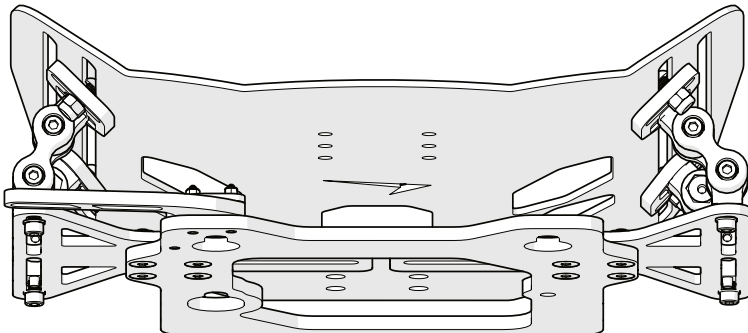
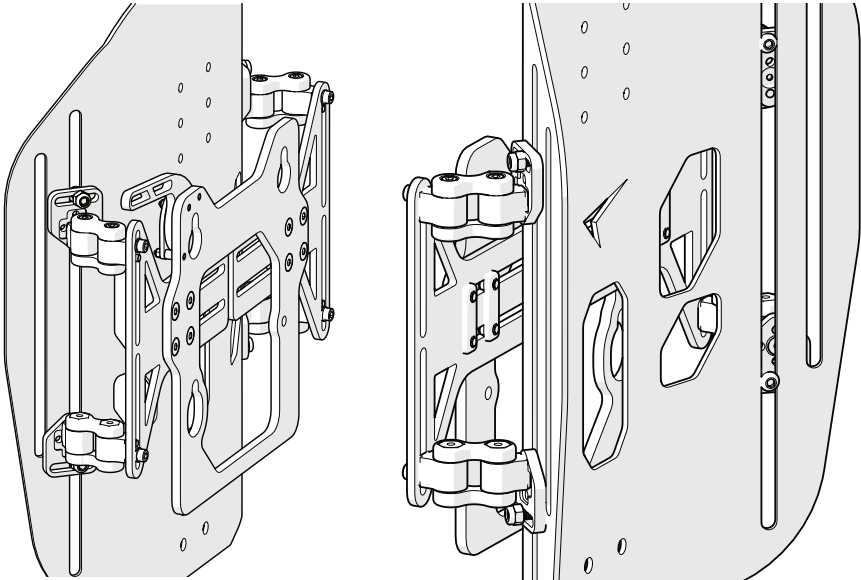
**Step Two - Adjust the Width:** Adjust the horizontal wings to the approximate width of the mounting location.

**Step Three - Mounting Plate Height:** Adjust the Links and Mounting Plates vertically to match the mounting positions of the shell.

**Step Four - Mounting Plate Rotation:** If necessary, rotate the mounting plates to match the mounting position of the back support.

**Step Five - Attach the Shell:** Insert the button head screws through the front of the back support and attach to the mounting plates using nylon lock nuts.

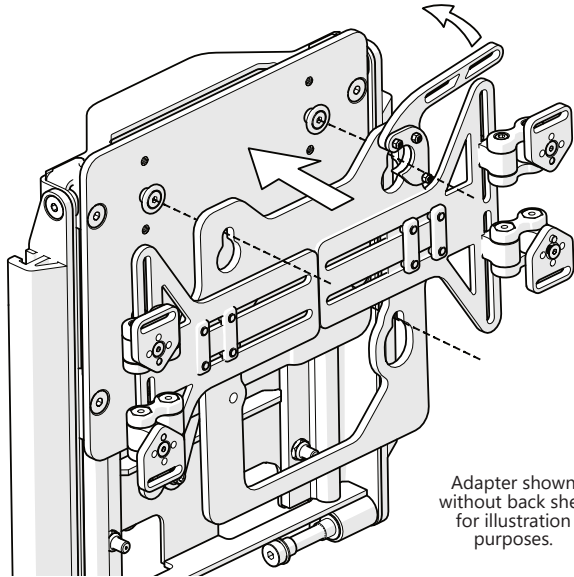
**Step Six - Tighten All Fasteners:** Check all fasteners for tightness. The fasteners should be snug but not over-tightened.



## Installing and Removing the Adapter

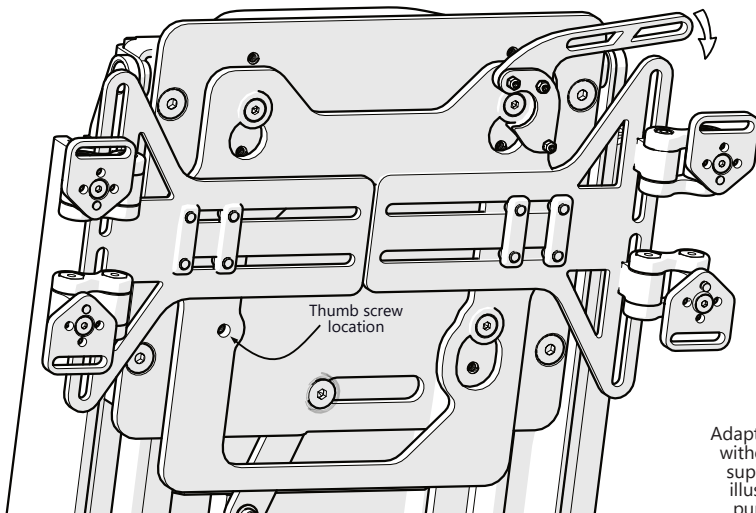
This is the final step in the implementation of the **Simple Solutions Adapter Interface**. Further adjustments to the interface or attached backrest shell are possible without removal from the chair or made easier by the simplicity of removal and replacement of the adapter.

**Step One:** Remove the thumb screw from the lower right of the center spine, the location of which is shown below. Lift the Spring-Loaded Lever and align the Adapter Center Plate with the knobs located on the center spine of the chair.



Adapter shown without back shell for illustration purposes.

**Step Two:** Slip the adapter over the knobs and press down the lever, securing the adapter in place. Replace the thumb screw in the lower right of the adapter, as shown below.



Adapter shown without back support for illustration purposes.

### Dealer Assistance

During first-time use by the client, it is advised that the dealer or service technician not only explains the product, but also assists in the configuration of user positioning to the customer (i.e., the user and/or the attendant). If needed, the dealer can make final adjustments.

### User Testing

It is important that the customer be fully aware of the installation of the **Simple Solutions Adapter Interface**, including how to use it and how it can be adjusted to fit the client comfortably. As a dealer, proceed as follows:

Explain and show the customer how you have executed the installation and explain the function.

- Have the user test the position of the seating system.
- Is the hardware in the proper position for the client?
- Can the user safely operate all wheelchair controls with minimal effort?

If needed, make any adjustments to the positioning. Explain possible problems to the customer and how to address them.

### Conditions of Use

The **Simple Solutions Adapter Interface** is intended for use as installed by the dealer, in accordance to the installation instructions in this manual.

The foreseen conditions of use should always be communicated by the dealer or service technician to the user and/or attendant during first-time use.

If the usage conditions change significantly, please contact your dealer or qualified service technician.

## Disinfection

- Wipe gently with a cloth dampened with a household disinfectant.

## Maintenance

The following care and guideline instructions will keep hardware and covers in good condition for a longer period of time and prevent damage.

- Periodically check and tighten any loose fasteners.
- Check all components for any signs of wear or breakdown.
- Wipe gently with a cloth dampened with a household disinfectant.
- Gently remove dust and dirt from hardware with a soft damp cloth.



### CAUTION

Always check mounting hardware before using the adapter interface.

### NOTICE

Improper installation or alterations of any kind will void this product's warranty.



### CAUTION

**Maximum Weight Capacity:**  
SSAPTB4, SSAPTB4-TRT - 450 lbs. (204.11 kg)  
SSAPTB4-PED - 175 lbs. (79.38 kg)

### SAFETY

Replace or repair parts as needed.



© 2022, Stealth Products, LLC

**Warranty Information**



**Home Page**



**Online User Manual**



Stealth Products, LLC · info@stealthproducts.com · www.stealthproducts.com  
(800) 965-9229 | (512) 715-9995 | 104 John Kelly Drive, Burnet, TX 78611