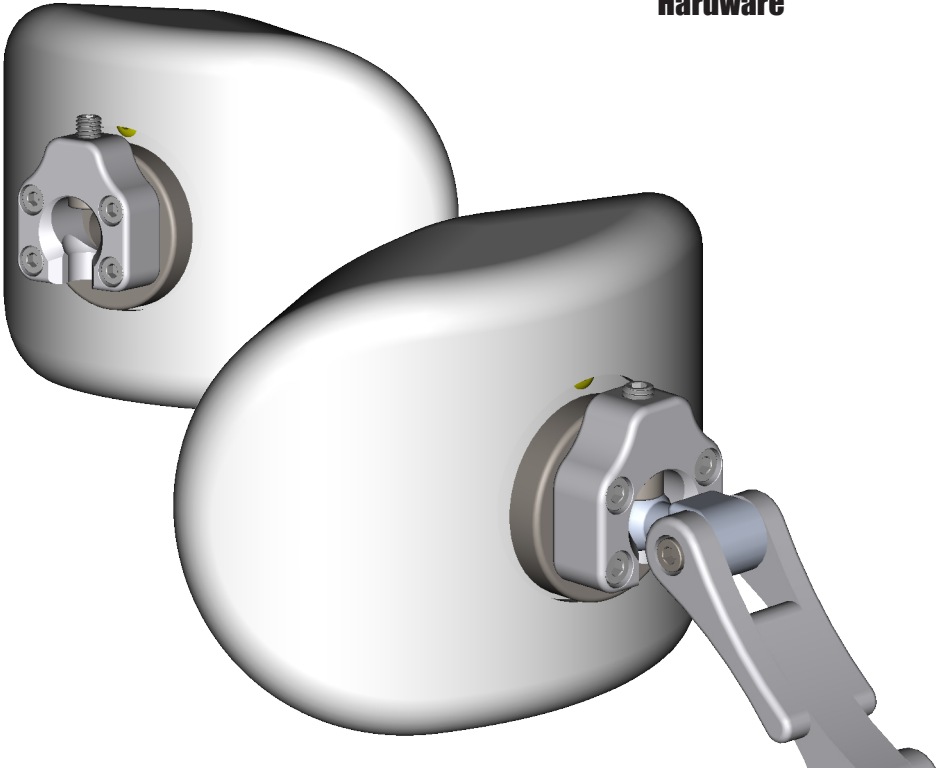


**Stealth Products**<sup>®</sup>



**Head Support  
Hardware**



## **Single Point Adjustment Adapter**

---

Owner's Manual - Maintenance Guide



**Customer Satisfaction ..... i**

**Important Information ..... ii-iii**

    Warranty ..... ii

    Supplier Reference..... ii

    Warning Labels..... iii

    Limited Liability..... iii

    Testing ..... iii

**Design and Function ..... 1-3**

    Intended Use..... 1

    Features..... 1

    Tools Needed..... 1

    Mounting Hardware Parts ..... 2

    Adjusting the Headrest..... 3

**Installation Instructions ..... 3-5**

    Installation Plan ..... 3

    Attaching the Headrest Pad ..... 4

    Attaching to the Headrest Hardware ..... 5

**First-Time Use ..... 6**

    Dealer Assistance ..... 6

    User Testing..... 6

    Conditions of Use ..... 6

    Cleaning..... 6

**Stealth Products** is committed to 100% customer satisfaction. Your complete satisfaction is important to us. Please contact us with feedback or suggestions to help us improve the quality and usability of our products.

You may reach us at:



**Stealth Products, LLC**

104 John Kelly Drive,  
Burnet, TX 78611

Phone: (512) 715-9995

Fax: (512) 715-9954

Toll Free: (800) 965-9229

Toll Free: (800) 806-1225

info@stealthproducts.com

www.stealthproducts.com



<p><b>EC REP</b></p> <p><b>MDSS GmbH</b> Schiffgraben 41 30175 Hannover Germany</p>	<p><b>CH REP</b></p> <p><b>SODIMED SA</b> Chemin Praz Devant 12 1032 Romanel sur-Lausanne Switzerland</p>	<p>UK Authorized Representative</p> <p><b>MDSS-UK RP</b> 6 Wilmslow Road, Rusholme Manchester M14 5TP United Kingdom</p>
---	---	--

**General**

Read and understand all instructions prior to the use of the product. Failure to adhere to instructions and warnings in this document may result in property damage, injury, or death. Product misuse or failure to follow instructions will void the warranty. Immediately discontinue use if any function is compromised, if parts are missing or loose, or if any component shows signs of excessive wear. Consult with your supplier for repair, adjustment, or replacement.

All persons responsible for fitting, adjustment, and daily use of the devices discussed in the these instructions must be familiar with and understand all safety aspects of the devices mentioned. In order for our products to be used successfully, you must read and understand all instructions and warnings, and maintain our products according to our instructions on care and maintenance.

The installation instructions will guide you through this product's options and possibilities.

Instructions are written with the expressed intent of use with standard configurations. They also contain important safety and maintenance information, as well as describe possible problems that can arise during use. For further assistance, or more advanced applications, please contact your supplier or **Stealth Products** at (512) 715-9995 or toll free at (800) 965-9229.

Always keep the operating instructions in a safe place so they may be referenced as necessary.

All information, pictures, illustrations, and specifications are based on the product information that was available at the time of printing. Pictures and illustrations shown in these instructions are representative examples and are not intended to be exact depictions of the various parts of the product.

## Important Information



These products are designed to be fitted, applied, and installed exclusively by a healthcare professional trained for these purposes. The fitting, application, and installation by a non-qualified individual could result in serious injury.

## Warranty

Our products are designed, manufactured, and produced to the highest of standards. If any defect in material or workmanship is found, **Stealth Products** will repair or replace the product at our discretion. Any implied warranty, including the implied warranties of merchantability and fitness for a particular purpose, shall not extend beyond the duration of this warranty. **Stealth Products** does not warrant damage due to, but not limited to: misuse, abuse, or misapplication of product, and/or modification of product without written approval from **Stealth Products, LLC**. Any alteration or lack of serial number, where applicable, will automatically void all warranty.

**Stealth Products, LLC** is liable for replacement parts only. **Stealth Products, LLC** is not liable for any incurred labor costs.

**Stealth Products** warrants against failure due to defective materials or workmanship:

**Covers: 2 years**  
**Hardware: 5 years**  
**Electronics: 3 years**

In the event of a product failure covered by our warranty, please follow the procedures outlined below:

Call **Stealth Products** at (512) 715-9995 or toll free at (800) 965-9229.

Request a Return Authorization (RA) form from the Returns Department and follow the documentation instructions.




Additional warranty information may be found by visiting the website at <https://stlpro.site/returns-n-warranty>. Copies of this manual may be downloaded by accessing the Stealth website (<https://stlpro.site/stealth-docs>) and searching "P143D699" in the search bar at the top of the page.

### Supplier Reference

<b>Supplier:</b>	
<b>Telephone:</b>	
<b>Address:</b>	
<b>Purchase Date:</b>	
<b>Model:</b>	

## Warning Labels

Warnings are included for the safety of the user, client, operator, and property. Please read and understand what the signal words **DANGER**, **WARNING**, **CAUTION**, **NOTICE**, and **SAFETY** mean, and how they could affect the user, those around the user, and property.

 <b>DANGER</b>	Identifies an <b>imminent</b> situation which, if not avoided, may result in <b>severe injury, death, and property damage</b> .
 <b>WARNING</b>	Identifies a <b>potential</b> situation which, if not avoided, may result in <b>severe injury, death, and property damage</b> .
 <b>CAUTION</b>	Identifies a <b>potential</b> situation which, if not avoided, may result in <b>minor to moderate injury and property damage</b> .
<b>NOTICE</b>	Identifies important information not related to injury, but possible <b>property damage</b> .
<b>SAFETY</b>	Indicates steps or instructions for safe practices, reminders of safe procedures, or important safety equipment that may be necessary.

## Limited Liability

**Stealth Products, LLC** accepts no liability for personal injury or damage to property that may arise from the failure of the user or other persons to follow the recommendations, warnings, and instructions in this manual.

**Stealth Products** does not hold responsibility for final integration of final assembly of product to end user. **Stealth Products** is not liable for user death or injury.

## Testing

Initial setup and driving should be done in an open area free of obstacles until the user is fully capable of driving safely.

### Intended Use

The **UniLink Single Point Adjustment Adapter** is indicated for users of UniLink Headrest Hardware who require an easily accessible single adjustment point for their headrest pad. It adapts a four-hole 17mm ball mount into a single-fastener, easily accessible 17mm ball mount designed to easily adjust the positioning of a headrest pad. Using one adjustment point, a technician or attendant can adjust the position of a user's headrest pad to better fit the user's head, providing increased comfort, neutral positioning, and improved pressure distribution. It is designed to be integrated with any UniLink headrest hardware and compatible 17mm pads, ranging from pediatric to adult sizes. It is available in various styles which may be matched to a user's specific needs by an appropriately qualified healthcare provider.

### Features

- Compatible with all UniLink headrest hardware including fixed, flip-down and Ultra.
- Compatible with all metric headrest pads with a 17mm ball attachment point.
- Allows the adjustment of a headrest pad with a single fastener.
- Adjustment point is easily accessible regardless of the position of the headrest pad or hardware.
- Weight capacity: 300 lbs.

### Tools needed

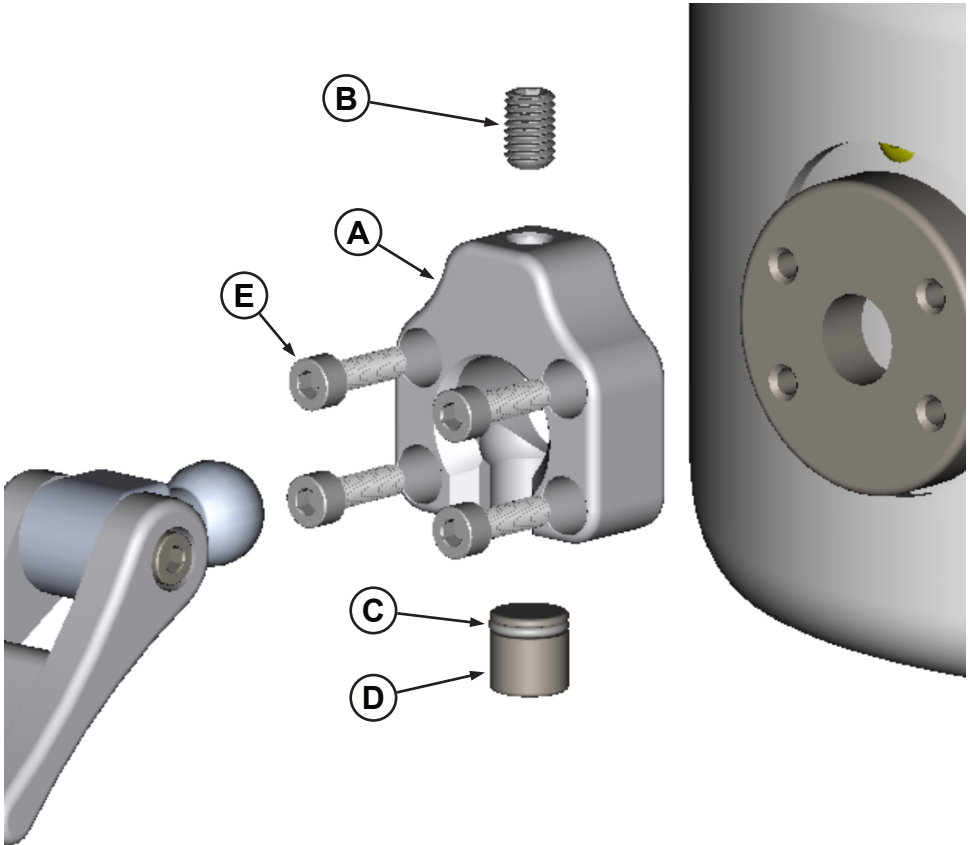


- 4mm hex wrench

#### **SAFETY**

Periodically inspect fasteners to ensure they are properly tightened.

## Mounting Hardware Parts



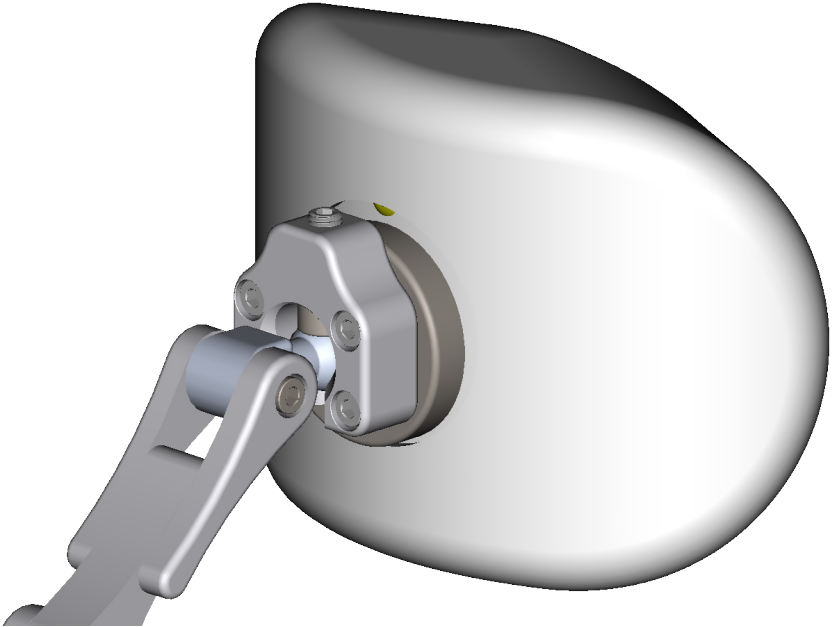
Single Point Adjustment Adapter

	Description	Qty
<b>A</b>	Adapter Mount, Ball, 17mm	1
<b>B</b>	M8 x 1.25 x 12MM SSFP Set Screw	1
<b>C</b>	Oil Resistant O-Ring	1
<b>D</b>	Clamp, Mount, Ball, 17mm*	1
<b>E</b>	M5 x 0.8 x 16MM Socket Head Screw	4

\* The concave end of the clamp is installed facing the 17mm ball.

## Adjusting the Headrest

1. Using the M4 hex wrench, loosen the M8 set screw (B) on the top (or the bottom depending on installation) of the **Single Point Adjustment Adapter**.
2. Adjust the headrest to the new angle for the user.\*



3. Tighten the M8 set screw (B) to secure the headrest in the new position.

\* if adjustments to height or depth are made using the links in the headrest hardware, the headrest adapter may have to be adjusted again to reposition and accommodate those changes.

## Installation Plan

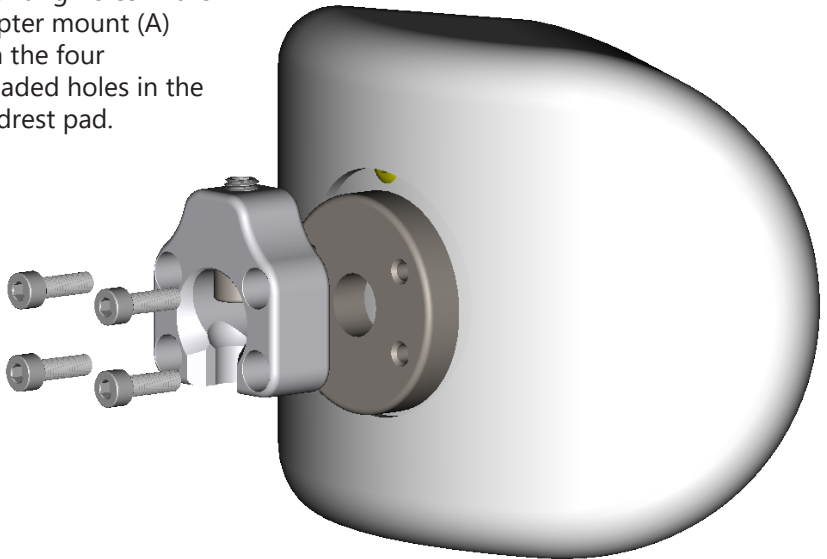
Set up an installation plan before mounting the **Single Point Adjustment Adapter** to the headrest. After installation, ensure that the **Single Point Adjustment Adapter** is mounted properly and that all screws are tightened evenly.



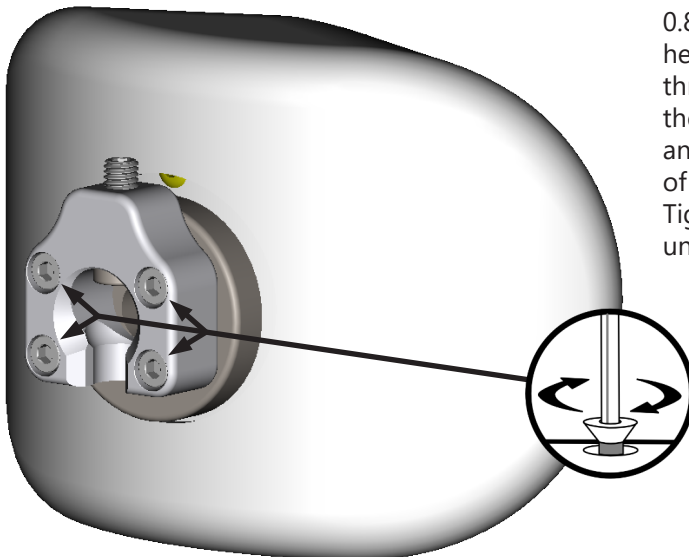
## Attaching the Headrest Pad

Attach the **Single Point Adjustment Adapter** to the headrest pad prior to securing it to the headrest hardware.

1. Align the four mounting holes in the adapter mount (A) with the four threaded holes in the headrest pad.



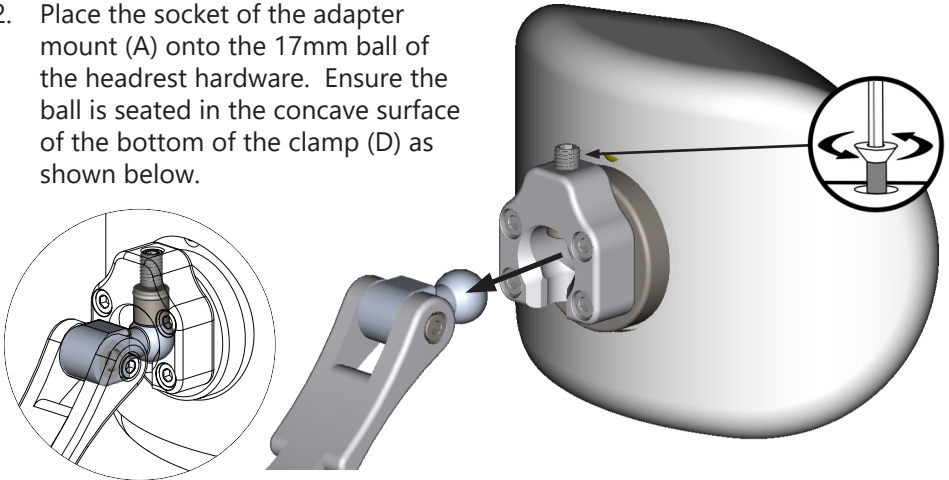
2. Insert the four M5 x 0.8 x 16mm socket head screws (E) through the holes in the adapter mount (A) and into the threads of the headrest pad. Tighten the screws until they are snug.



# Attaching to the Headrest Hardware

Once the **Single Point Adjustment Adapter** has been attached to the headrest pad it may be installed on the headrest hardware.

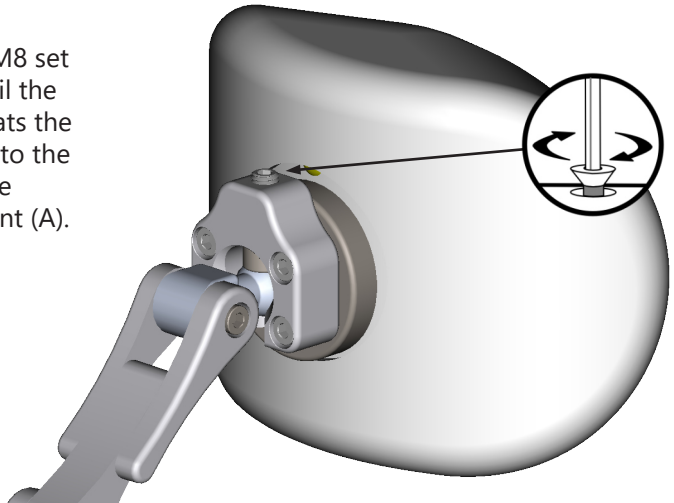
1. Loosen the M8 set screw (B), if necessary, to allow room for the 17mm ball to fit inside the socket of the adapter mount (A) between the base and the clamp (D).
2. Place the socket of the adapter mount (A) onto the 17mm ball of the headrest hardware. Ensure the ball is seated in the concave surface of the bottom of the clamp (D) as shown below.



### CAUTION

It is imperative that the 17mm ball is seated properly in clamp (D) while tightening. If the ball slips forward in the socket it will not seat properly with clamp (D). This can lead to gradual, or sudden, loosening of the adapter, loss of positioning, and discomfort for the user.

3. Tighten the M8 set screw (B) until the clamp (D) seats the 17mm ball into the bottom of the adapter mount (A).



## Dealer Assistance

During first-time use by the user, it is advised that the dealer or service technician not only assembles the product, but also explains the configuration of user positioning to the user (i.e., the user and or the attendant). If needed, the dealer can make final adjustments.

## User Testing

It is important that the customer is fully aware of the installation of the **Single Point Adjustment Adapter**, how to use it, and how it can be adjusted to fit the client comfortably. As a dealer, proceed as follows:

- Explain and show the customer how you have executed the installation and explain the function.
- Have the user test the position of the **Single Point Adjustment Adapter**.
- Is the hardware in the proper position for the client?
- Can all controls be operated safely and with minimal effort?
- If needed, make any adjustments to the positioning.
- Explain possible problems to the customer and how to address them.

## Conditions of Use

The **Single Point Adjustment Adapter** is intended for use as installed by the dealer, in accordance to the installation instructions in this manual.

Ensure the foreseen conditions of use are communicated by the dealer or service technician to the user and/or attendant during the first-time use.

If usage conditions change significantly, please contact your dealer or a qualified service technician to avoid unintended damage.

## Cleaning

Your **Single Point Adjustment Adapter** hardware should not require cleaning other than wiping its surface periodically with a soft cloth and a cleaning solution approved for painted or anodized aluminum surfaces.



© 2022, Stealth Products, LLC

**Warranty Information**



**Home Page**



**Online User Manual**



Stealth Products, LLC · info@stealthproducts.com · www.stealthproducts.com  
(800) 965-9229 | (512) 715-9995 | 104 John Kelly Drive, Burnet, TX 78611

P143D699

Jun 15, 2022