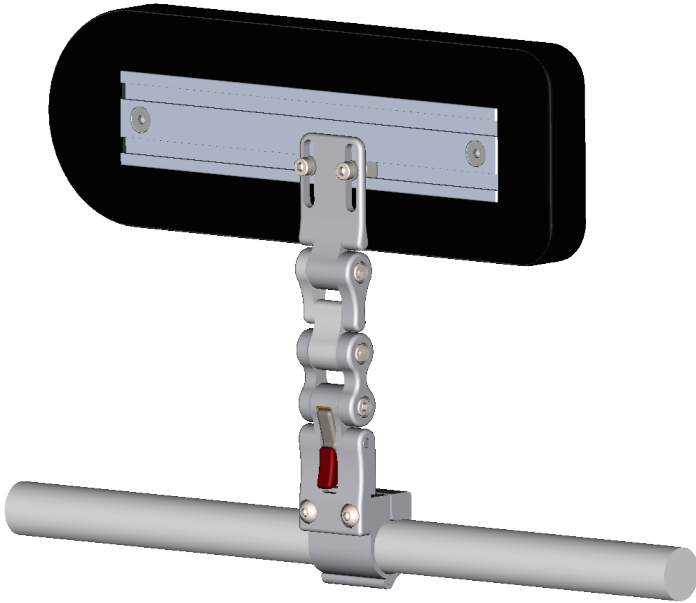


Stealth Products[®]



**Pelvic
Support**



UniLink™ Swing Away Thigh Support

Owner's Manual - Maintenance Guide
UniLink Swing Away Thigh Support



Customer Satisfaction i
 General.....i

Important Information ii-iii
 Warrantyii
 Supplier Reference.....ii
 Warning Labels..... iii
 Limited Liability..... iii
 Testing iii

Design and Function 1-2
 Intended Use..... 1
 Features..... 1
 Operating Laterals 2
 Adjusting Adductors 2

Installation Instructions 3-6
 Standard Cane Mounting..... 3
 Standard Track Mounting 4
 Pad Mount Installation..... 5
 Thigh Pad Installation..... 5
 Full-Surface Contact Mount Installation 6
 Full-Surface Contact Mount Adjustment..... 6

First-Time Use 7
 Dealer Assistance 7
 User Testing..... 7
 Conditions of Use 7

Care and Maintenance 8
 Safety 8
 Cleaning..... 8

Notes 9-10

Stealth Products is committed to 100% customer satisfaction. Your complete satisfaction is important to us. Please contact us with feedback or suggestions to help us improve the quality and usability of our products.

You may reach us at:



Stealth Products, LLC

104 John Kelly Drive,
Burnet, TX 78611

Phone: (512) 715-9995

Fax: (512) 715-9954

Toll Free: (800) 965-9229

Toll Free: (800) 806-1225

info@stealthproducts.com

www.stealthproducts.com



<table border="1"> <tr> <td>EC</td> <td>REP</td> </tr> <tr> <td colspan="2">MDSS GmbH Schiffgraben 41 30175 Hannover Germany</td> </tr> </table>	EC	REP	MDSS GmbH Schiffgraben 41 30175 Hannover Germany		<table border="1"> <tr> <td>CH</td> <td>REP</td> </tr> <tr> <td colspan="2">SODIMED SA Chemin Praz Devant 12 1032 Romanel sur-Lausanne Switzerland</td> </tr> </table>	CH	REP	SODIMED SA Chemin Praz Devant 12 1032 Romanel sur-Lausanne Switzerland		<p>UK Authorized Representative</p> <p>MDSS-UK RP 6 Wilmslow Road, Rusholme Manchester M14 5TP United Kingdom</p>
EC	REP									
MDSS GmbH Schiffgraben 41 30175 Hannover Germany										
CH	REP									
SODIMED SA Chemin Praz Devant 12 1032 Romanel sur-Lausanne Switzerland										

General

Read and understand all instructions prior to the use of the product. Failure to adhere to instructions and warnings in this document may result in property damage, injury, or death. Product misuse or failure to follow instructions will void the warranty.

Immediately discontinue use if any function is compromised, if parts are missing or loose, or if any component shows signs of excessive wear. Consult with your supplier for repair, adjustment, or replacement.

All persons responsible for fitting, adjustment, and daily use of the devices discussed in these instructions must be familiar with and understand all safety aspects of the devices mentioned. In order for our products to be used successfully, you must read and understand all instructions and warnings, and maintain our products according to our instructions on care and maintenance.

The installation instructions will guide you through this product's options and possibilities.

Instructions are written with the expressed intent of use with standard configurations. They also contain important safety and maintenance information, as well as describe possible problems that can arise during use. For further assistance, or more advanced applications, please contact your supplier or **Stealth Products** at (512) 715-9995 or toll free at (800) 965-9229.

Always keep the operating instructions in a safe place so they may be referenced as necessary.

All information, pictures, illustrations, and specifications are based on the product information that was available at the time of printing. Pictures and illustrations shown in these instructions are representative examples and are not intended to be exact depictions of the various parts of the product.

Important Information



These products are designed to be fitted, applied, and installed exclusively by a healthcare professional trained for these purposes. The fitting, application, and installation by a non-qualified individual could result in serious injury.

Warranty

Our products are designed, manufactured, and produced to the highest of standards. If any defect in material or workmanship is found, Stealth Products will repair or replace the product at our discretion. Any implied warranty, including the implied warranties of merchantability and fitness for a particular purpose, shall not extend beyond the duration of this warranty. **Stealth Products** does not warrant damage due to, but not limited to: misuse, abuse, or misapplication of product, and/or modification of product without written approval from **Stealth Products, LLC**. Any alteration or lack of serial number, where applicable, will automatically void all warranty.

Stealth Products, LLC is liable for replacement parts only. **Stealth Products, LLC** is not liable for any incurred labor costs.

Stealth Products warrants against failure due to defective materials or workmanship:

Covers: 2 years
Hardware: 5 years
Electronics: 3 years

In the event of a product failure covered by our warranty, please follow the procedures outlined below:

Call **Stealth Products** at (512) 715-9995 or toll free at (800) 965-9229.

Request a Return Authorization (RA) form from the Returns Department and follow the documentation instructions.

Additional warranty information may be found by visiting the website at <https://stlpro.site/returns-n-warranty>. Copies of this manual may be downloaded by accessing the Stealth website (<https://stlpro.site/stealth-docs>) and searching "P143D698" in the search bar at the top of the page.

Supplier Reference

Supplier:	
Telephone:	
Address:	
Purchase Date:	
Model:	

Warning Labels

Warnings are included for the safety of the user, client, operator, and property. Please read and understand what the signal words **DANGER**, **WARNING**, **CAUTION**, **NOTICE**, and **SAFETY** mean, and how they could affect the user, those around the user, and property.



DANGER

Identifies an **imminent** situation which, if not avoided, may result in **severe injury, death, and property damage**.



WARNING

Identifies a **potential** situation which, if not avoided, may result in **severe injury, death, and property damage**.



CAUTION

Identifies a **potential** situation which, if not avoided, may result in **minor to moderate injury and property damage**.

NOTICE

Identifies important information not related to injury, but possible **property damage**.

SAFETY

Indicates steps or instructions for safe practices, reminders of safe procedures, or important safety equipment that may be necessary.

Limited Liability

Stealth Products, LLC accepts no liability for personal injury or damage to property that may arise from the failure of the user or other persons to follow the recommendations, warnings, and instructions in this manual.

Stealth Products does not hold responsibility for final integration of final assembly of product to end user. **Stealth Products** is not liable for user death or injury.

Testing

Initial setup and driving should be done in an open area free of obstacles until the user is fully capable of driving safely.

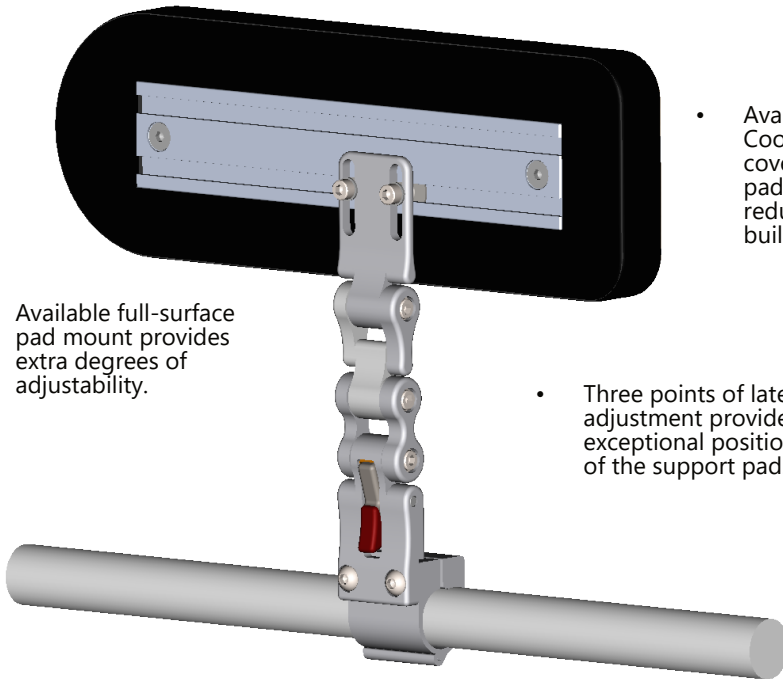
Intended Use

Lateral Stability is essential to balancing the body in relation to gravity. The long-term goals of improved posture are to provide pressure relief, minimize orthopedic consequences, normalize muscle tone, reduce active muscle requirements, and increase the overall function of the user.

UniLink™ Thigh Support Solutions are highly adjustable lateral supports that increase a user's stability and balance while in the chair, serve as tactile reminders of positioning, and correct lateral thigh flexion. They provide a precise, durable means of maintaining the user in a functional position, preventing further postural decay, and diminishing the need for repetitive positioning of the user throughout their day. Swing-away thigh supports flip down out of the way, but remain attached to the chair, reducing the chances of them being misplaced, left behind, or lost.

Features

- Pads available in various sizes to provide the exact support required.



- Available full-surface pad mount provides extra degrees of adjustability.

- Available Coolcore covers on the pads help to reduce heat buildup.

- Three points of lateral adjustment provide exceptional positioning of the support pad.

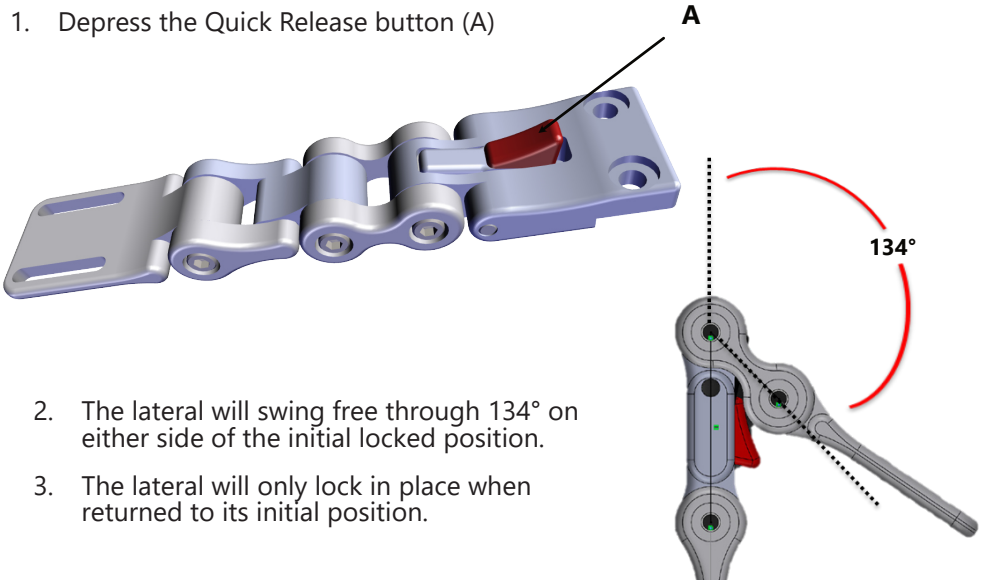
- Quick release latch facilitates easier transfers to and from the chair.

- Various mounting options provide a secure connection to the seat tubes of the chair.

Operating Laterals

To operate the laterals:

1. Depress the Quick Release button (A)



2. The lateral will swing free through 134° on either side of the initial locked position.
3. The lateral will only lock in place when returned to its initial position.

Adjusting Adductors

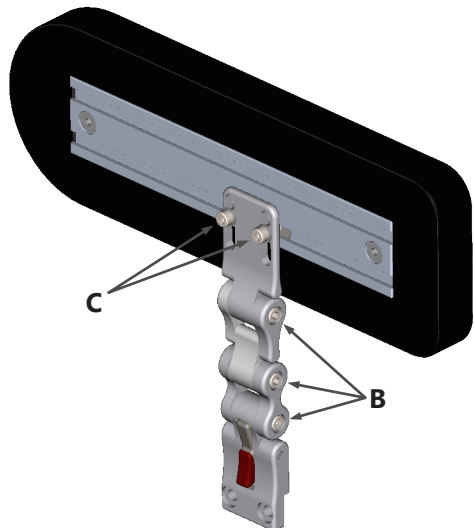
Standard laterals offer three points of adjustment:

To adjust links (B):

1. Slightly loosen the M5 x 0.8 x 25mm Socket Head Screws (B).
2. Set desired angles and tighten screws with an M4 Hex Wrench.

To adjust pad position:

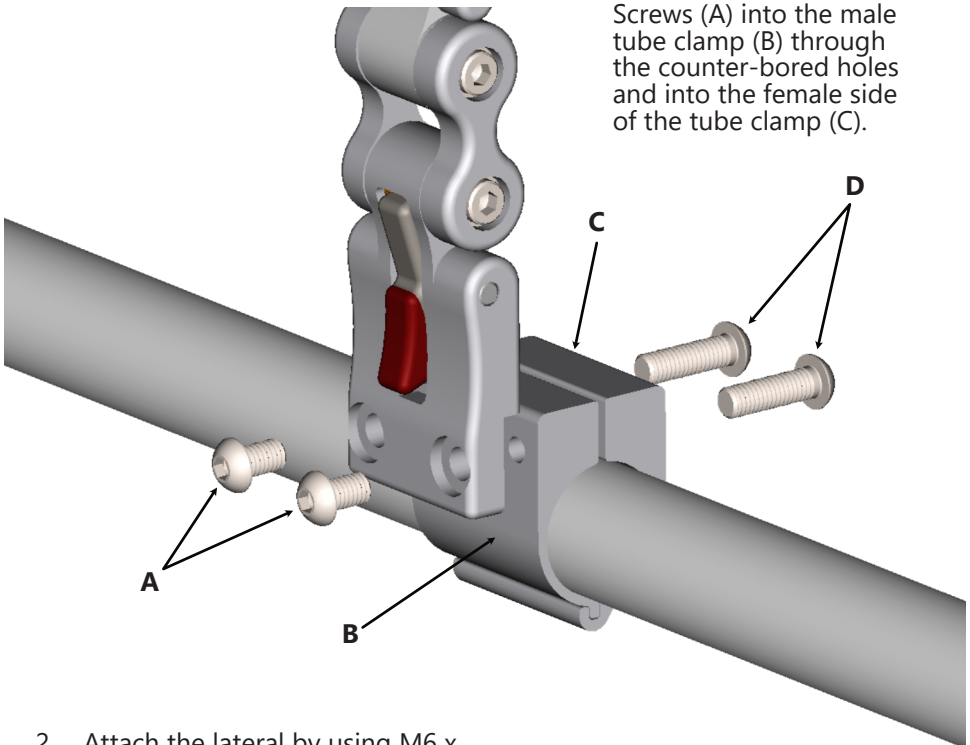
1. Slightly loosen the two M5 Socket Head Screws (C) and slide the pad to the desired position.
2. Tighten screws to secure the pad in the new position. Do not over-tighten.



Standard Cane Mounting

To install and adjust standard cane mounting:

1. Insert the M6 x 1.0 x 20mm Button Head Screws (A) into the male tube clamp (B) through the counter-bored holes and into the female side of the tube clamp (C).



2. Attach the lateral by using M6 x 1.0 x 12mm Button Head Screws (D) and mounting directly to the female side of the cane clamp. Tighten with an M4 Hex Wrench.

3. To adjust the lateral on the cane, loosen the M6 x 1.0 x 20mm Button Head Screws (A) and slide the clamp to the desired position.

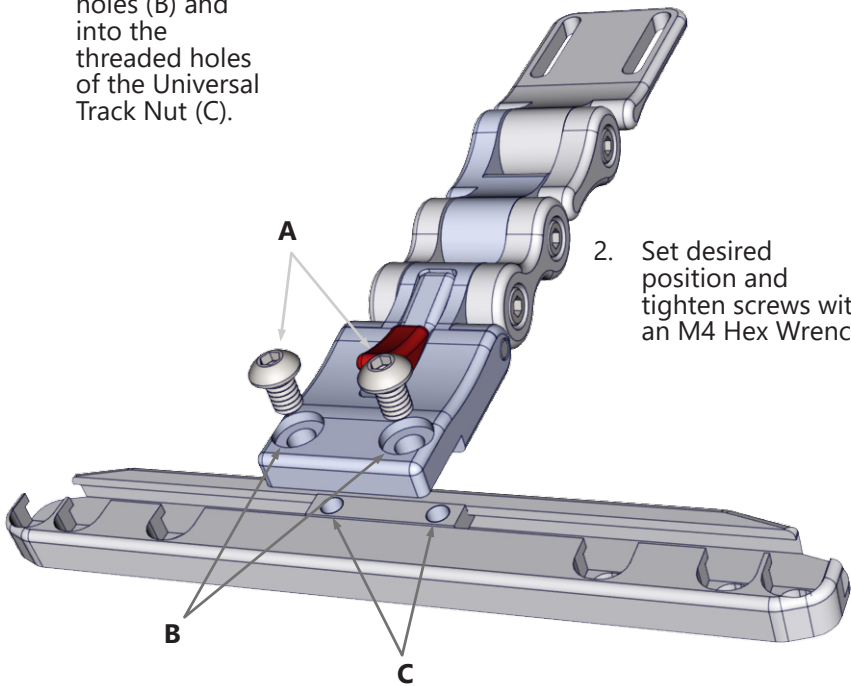
 **WARNING**

Installing the thigh guides incorrectly may cause damage to the hardware and/or injury to the user.

Standard Track Mounting

To install and adjust standard track mounting:

1. Insert the M6 x 1.0 x 12mm Button Head Screws (A) through the counter-bored holes (B) and into the threaded holes of the Universal Track Nut (C).



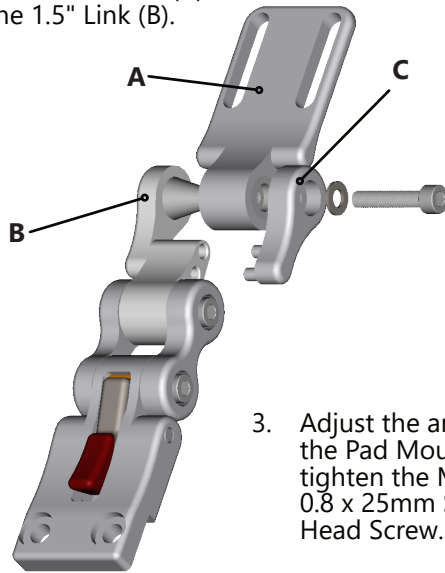
3. To adjust the lateral on the track, loosen the screws and slide it to the new position. Tighten the screws.

CAUTION

The use of improper tools may cause damage to the device. Inadequate tightening can cause components to become loose and cause discomfort for the user or premature failure.

Pad Mount Installation

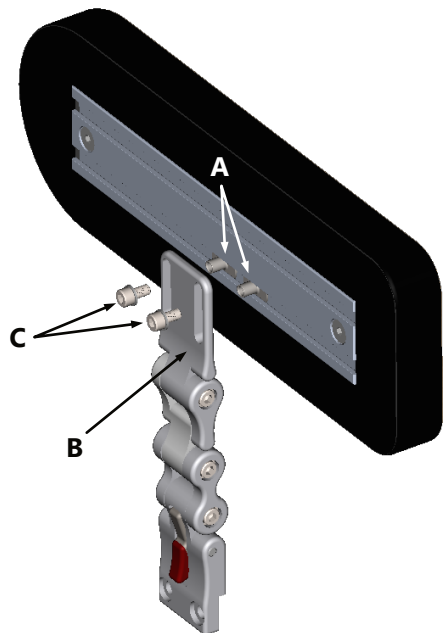
1. Place the conical socket of the Pad Mount (A) onto the conical mount of the 1.5" Link (B).
2. Place the 1.5" Coupler (C) onto the 1.5" Link (B) as shown and secure it with an M5 Flat Washer and M5 x 0.8 x 25mm Socket Head Screw.



3. Adjust the angle of the Pad Mount and tighten the M5 x 0.8 x 25mm Socket Head Screw.

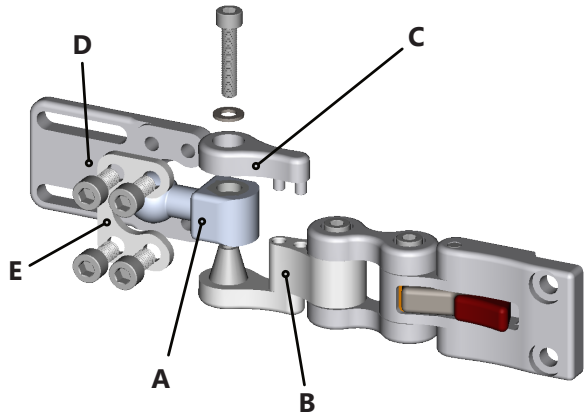
Thigh Pad Installation

1. Slide the Slab Nuts (A) into the desired location in the pad track.
2. Align the slots in the Pad Mount (B) with the threaded sleeves of the Slab Nuts (A).
3. Insert the M5 x 0.8 x 10mm Socket Head Screws into the threaded sleeves of the Slab Nuts (A).
4. Align the pad in the desired position and location and tighten the screws to secure it in place.



Full-Surface Contact Mount Installation*

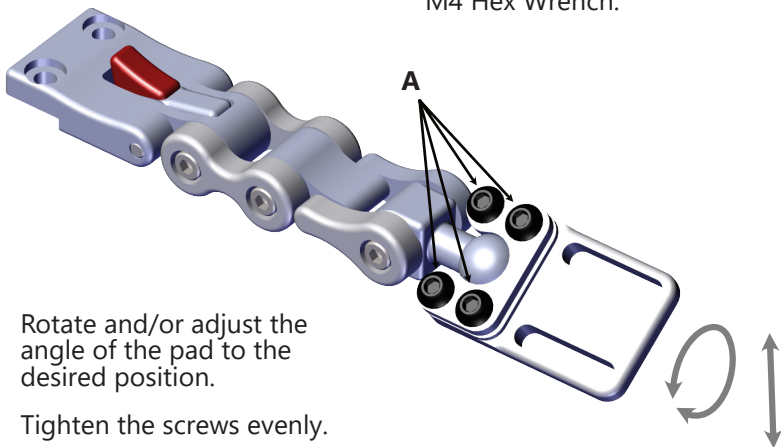
1. Place the conical socket of the 17mm Ball Link of the 17mm Ball Link (A) onto the conical mount of the 1.5" Link (B).
2. Place the 1.5" Coupler (C) onto the 1.5" Link (B) as shown below and secure it with an M5 Flat Washer and M5 x 0.8 x 25mm Socket Head Screw.



* The Full-Surface Contact option will not fit UTS25100-L/R. The UTS2510F-L/R or UTS2530F-L/R must be used.

Full-Surface Contact Mount Adjustment

1. Loosen the M6 x 1.0 x 12mm Button Head Screws (A) with an M4 Hex Wrench.



2. Rotate and/or adjust the angle of the pad to the desired position.
3. Tighten the screws evenly.

CAUTION

Any connection must always be secured with all delivered screws.
Use only the screws provided in the package.

Dealer Assistance

During first-time use by the user, it is advised that the dealer or service technician not only assembles the product, but also explains the configuration of user positioning to the user (i.e., the user and/or the attendant). If needed, the dealer can make final adjustments.



WARNING

The **UniLink Thigh Support Lateral** should only be prescribed and fitted by a qualified health care professional.

User Testing

It is important that the customer is fully aware of the installation of the **UniLink Thigh Support Lateral**, how to use it, and how it can be adjusted to fit the client comfortably. As a dealer, proceed as follows:

- Explain and show the customer how you have executed the installation and explain the function.
- Have the user test the position of the **UniLink Thigh Support Lateral**.
- Is the hardware in the proper position for the client?
- Can all controls be operated safely and with minimal effort?
- If needed, make any adjustments to the positioning.
- Explain possible problems to the customer and how to address them.

Conditions of Use

The **UniLink Thigh Support Lateral** is intended for use as installed by the dealer, in accordance to the installation instructions in this manual.

Ensure the foreseen conditions of use are communicated by the dealer or service technician to the user and/or attendant during the first-time use.

If usage conditions change significantly, please contact your dealer or a qualified service technician to avoid unintended damage.



DANGER

Failure to comply with these warnings could result in serious bodily harm.

Safety

- Periodically check the hardware for loose screws or worn parts.
- Check the lateral pad for any foam breakdown and/or metal coming through the foam. This could be potentially dangerous to the client.

SAFETY

Repair or replace parts as needed.

CAUTION

Always check all mounting hardware, making sure each fastener is properly tightened before using the lateral.

WARNING

Monitor the foam for breakdown and replace as needed. Do not use thigh guide if foam is damaged or deteriorated.

Cleaning

- To wash the cover, remove the cover from the thigh guide.
- Machine wash the cover in cold water, delicate cycle, and drip dry.
- Do not allow the foam to get wet.
- Do not use the thigh guide without the cover in place.

WARNING

DO NOT use bleach. **DO NOT** iron. Do not wash or dry in temperatures in excess of 176°F (80°C).

CAUTION

When removing the thigh guide, take care not to puncture, tear, or otherwise damage the fabric or foam.



© 2022, Stealth Products, LLC

Warranty Information



Home Page



Online User Manual



Stealth Products, LLC · info@stealthproducts.com · www.stealthproducts.com
(800) 965-9229 | (512) 715-9995 | 104 John Kelly Drive, Burnet, TX 78611