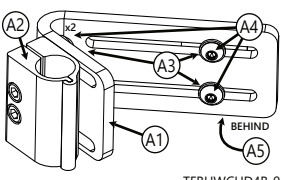
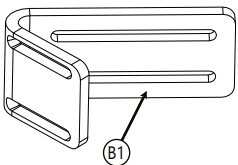
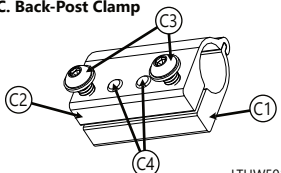


## Heavy Duty Hardware

The True Forming Back, or TFB, has been created to provide extreme comfort, unparalleled customization options and trouble-free adjustability. The hardware is durable, easily accessible, and is hidden with a hook-and-loop attached back for a clean, sleek look.

Item	ID	Part Number	Description	Qty.
<b>A. Hardware Package</b>  TFBHWCHD4B-034	A1	SSS100-316 (45°) SSS100-317 (75°)	Fixed Heavy Duty L-Bracket	4
	A2	LTHW500 (1") LTHW501 (3/4") LTHW502 (7/8")	Lateral Thoracic Cane Mount (K0108)	4
	A3	1/4 SAE FW	1/4" Flat Washer	16
	A4	.25-20 x .75 BHS	1/4-20 x 3/4" Button Head Screw	16
	A5	TFB200-06	T-Nut for True Forming Back	4
<b>B. Bracket</b>  SSS100-316	B1	SSS100-316 (45°) SSS100-317 (75°)	Fixed Heavy Duty L-Bracket	1
<b>C. Back-Post Clamp</b>  LTHW501	C1	TWBLTB90 (1") TWBLTB100 (3/4") TWBLTB88 (7/8")	Male Tube Clamp	1
	C2	TWBLTB89 (1") TWBLTB101 (3/4") TWBLTB87 (7/8")	Female Tube Clamp	1
	C3	1/4-20 x 3/4 BHS	1/4-20 x 3/4" Button Head Screws	2
	C4	1/4-20 x 3/4 SHS	1/4-20 x 3/4" Socket Head Screws	2

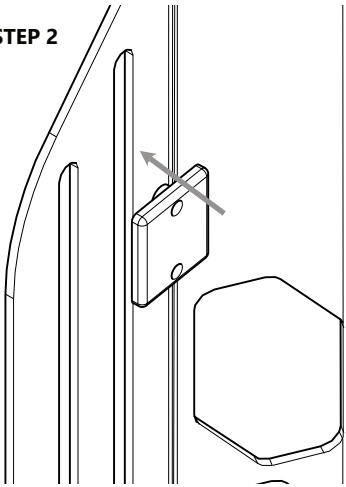
## Installation and Use

In most situations, your True Forming Back and Heavy Duty Hardware will be assembled at the factory. If this is the case, you may skip to the section titled "Mounting the Seat Back to the Chair". If not, please follow the full instructions, starting below. The True Forming Back with Heavy Duty Hardware is designed to be used primarily in bariatric cases. It does not feature adjustability beyond initial positioning during installation.

### Mounting Hardware to the Back

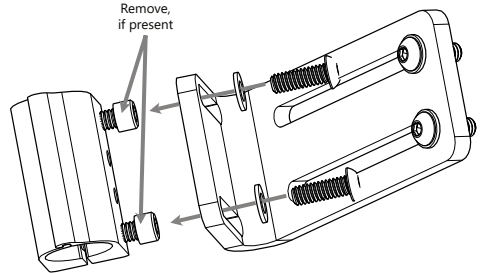
**Step One:** The cane clamps mount to the short side of the bracket using two 1/4-20 x 3/4" button head screws (A4). *If the cane clamp has socket head screws in these locations, remove and replace them with the button head screws included in the hardware.* Repeat for the remaining three brackets.

#### STEP 2



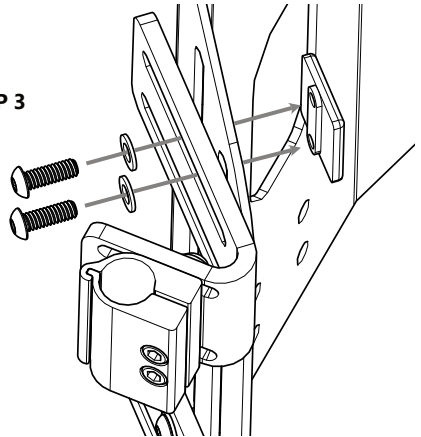
**Step Three:** Fasten the L-Bracket (B1) to the T-Nut (A5) through the seat back with two 1/4-20 x 3/4" Button Head Screws (A4). Snug the screws to retain the position of the bracket, but do not fully tighten them at this point.

#### STEP 1



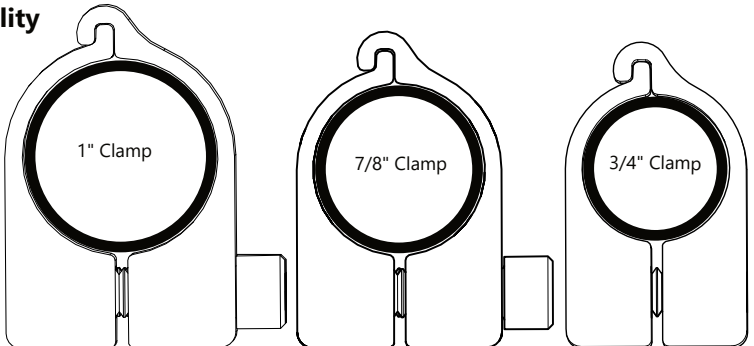
**Step Two:** Insert a T-Nut (A5) along the corresponding slot on the front (user) side of the seat back. Align the slots of the long side of the L-Bracket (B1) perpendicular to the slot in the seat back and aligned with the threads of the corresponding holes in the T-Nut (A5).

#### STEP 3



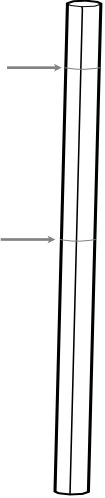
### Cane Compatibility

*Prior to installation, verify that the cane clamps match the diameter of the back posts on your chair. Under no circumstances should a clamp be adapted to fit a post with a different diameter. Contact Stealth Products or your dealer if you have questions or concerns.*



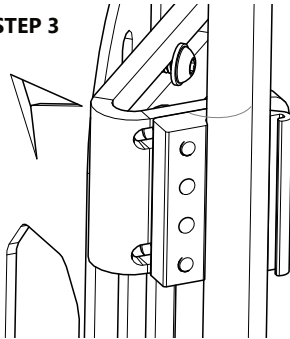
## Mounting the Seat Back to the Chair

### STEP 1



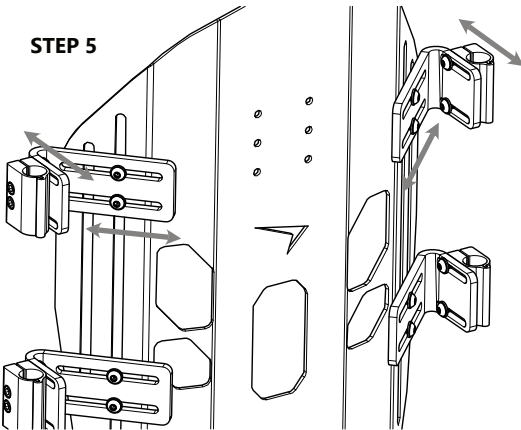
**Step One:** Visually determine the desired height of the TFB on the chair. Measure and mark on each back post the required attachment points for the clamp assemblies.

### STEP 3



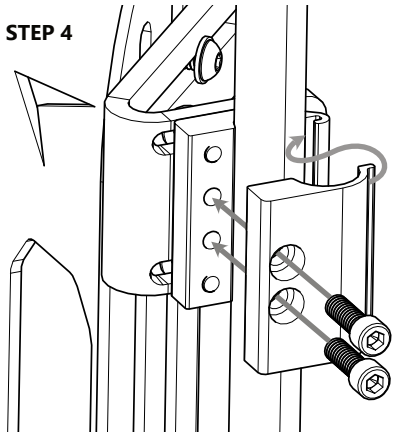
**Step Four:** Replace the Male Tube Clamp (C1) into the groove of the Female Tube Clamp (C2) and fasten with the screws removed in Step Two. Repeat this step for each mounting point.

### STEP 5



**Step Three:** Place the seat back between the back posts with the Female Tube Clamp (C2) lined up with the marks made in Step One. Loosen and adjust the L-Brackets (B1), if necessary, to center the back or position it as required for the user.

### STEP 4



**Step Five:** Make the final positioning adjustments and tighten all screws. The slots in the brackets will allow for 1 1/2" of depth positioning and up to 3" of lateral positioning, depending on the fit of the bracket to the seat back.



**WARNING**

User weight not to exceed 600 lb. (272.15 kg)



**CAUTION**

Tighten screws and examine hardware for wear or damage on a regular basis.

## Important

These products are designed to be fitted, applied, and installed exclusively by a health care professional trained for these purposes. The fitting, application and installation by a non-qualified individual could result in serious injury. Stealth Products, LLC accepts no liability for personal injury or damage that may arise from the failure of the user or other persons to follow the recommendations, warnings, and instructions in this manual. Stealth Products does not hold responsibility for final integration of final assembly of product to end user. Stealth Products is not liable for user death or injury. Initial setup and driving should be done in an open area free of obstacles until the user is fully capable of driving safely.

Before you begin using this product, it is important that you read and understand the content of these installation and operating instructions. Product misuse due to failure to adhere to instructions and warnings in this document will void your warranty and may result in property damage, injury or death. Always keep the operating instructions in a safe place so they may be referenced as necessary. If this document contains information you do not understand or if there are concerns about safety or operation, contact your provider.

All information, pictures, illustrations and specifications are based on the product information available at the time of printing, and are representative examples. They are not intended to be exact descriptions of the various parts of the product. Instructions are written with the expressed intent of use with standard configurations. They also contain important safety and maintenance information. For assistance with advanced configurations or options, contact your provider or **Stealth Products** at (512) 715-9995 or toll free at (800) 965-9229.

Immediately discontinue use if any function is compromised, if parts are missing or loose or if any component shows signs of excessive wear. Consult with your provider for repair, adjustment or replacement. You can download additional copies of this manual by visiting <https://stlpro.site/stealth-docs/> and searching for "P136D649" in the document manager.

## Warranty


Our products are designed, manufactured, and produced to the highest of standards. If any defect in material or workmanship is found, **Stealth Products** will repair or replace the product at our discretion. Any implied warranty, including the implied warranties of merchantability and fitness for a particular purpose, shall not extend beyond the duration of this warranty. **Stealth Products, LLC** does not warrant damage due to, but not limited to, misuse, abuse, or misapplication of products and modification of product without written approval from **Stealth Products, LLC**. Any alteration or lack of serial number, where applicable, will automatically void this warranty. **Stealth Products, LLC** is liable for replacement parts only, and is not liable for any incurred labor costs. No person is authorized to alter, extend, or waive the warranties of **Stealth Products, LLC**.

To learn more about our warranty and returns policy, please visit <https://stlpro.site/returns-n-warranty>.

## About Us

**Stealth Products** is committed to 100% customer satisfaction. Your complete satisfaction is important to us. Please contact us with suggestions or feedback to help us improve the quality and usability of our products.

You may reach us at:

 **Stealth Products, LLC**  
104 John Kelly Drive,  
Burnet, TX 78611

Phone: (512) 715-9995 Toll Free: (800) 965-9229

Fax: (512) 715-9954 Toll Free: (800) 806-1225

[info@stealthproducts.com](mailto:info@stealthproducts.com) - [www.stealthproducts.com](http://www.stealthproducts.com)

 <b>MDSS GmbH</b> Schiffgraben 41 30175 Hannover, Germany	 <b>SODIMED SA</b> Chemin Praz Devant 12 1032 Romanel sur-Lausanne, Switzerland	 <b>MDSS-UK RP</b> 6 Wilmslow Road, Rusholme Manchester M14 5TP, United Kingdom
--	---	---

