

TFB

True Forming Back

Owner's Manual - Maintenance Guide
True Forming Back

Customer Satisfaction	i
Important Information.....	ii-iii
Warranty	ii
Supplier Reference.....	ii
Warning Labels.....	iii
Limited Liability.....	iii
Testing	iii
Design and Function	1
Intended Use.....	1
Features.....	1
Mounting.....	1
Features.....	2-4
Parts and Accessories Breakdown	2
Shell Dimensions	2
Hardware Parts.....	3
TFB Backrest & Lateral	4
Installation Instructions	5-7
Preparations	5
Tools	5
Installation Plan	5
Required Tools.....	5
Installing Laterals	6
Installing Cushions to the Laterals	7
First-Time Use.....	8
Dealer Assistance	8
User Testing.....	8
Conditions of Use	8
Maintenance	9
Cleaning.....	9
Disinfection.....	9
Maintenance	9
Notes	10

Stealth Products is committed to 100% customer satisfaction. Your complete satisfaction is important to us. Please contact us with feedback or suggestions to help us improve the quality and usability of our products.

You may reach us at:



Stealth Products, LLC
104 John Kelly Drive, Burnet, TX 78611



Phone: (512) 715-9995

Toll Free: (800) 965-9229

Fax: (512) 715-9954

Toll Free: (800) 806-1225

info@stealthproducts.com
www.stealthproducts.com

<p>EC REP</p> <p>MDSS GmbH Schiffgraben 41 30175 Hannover Germany</p>	<p>CH REP</p> <p>SODIMED SA Chemin Praz Devant 12 1032 Romanel sur-Lausanne Switzerland</p>	<p>UK Authorized Representative</p> <p>MDSS-UK RP 6 Wilmslow Road, Rusholme Manchester M14 5TP United Kingdom</p>
---	---	---

General

Read and understand all instructions prior to the use of the product. Failure to adhere to instructions and warnings in this document may result in property damage, injury, or death. Product misuse or failure to follow instructions will void the warranty.

Immediately discontinue use if any function is compromised, if parts are missing or loose, or if any component shows signs of excessive wear. Consult with your supplier for repair, adjustment, or replacement.

All persons responsible for fitting, adjustment, and daily use of the devices discussed in these instructions must be familiar with and understand all safety aspects of the devices mentioned. In order for our products to be used successfully, you must read and understand all instructions and warnings, and maintain our products according to our instructions on care and maintenance.

The installation instructions will guide you through this product's options and possibilities.

Instructions are written with the expressed intent of use with standard configurations. They also contain important safety and maintenance information, as well as describe possible problems that can arise during use. For further assistance, or more advanced applications, please contact your supplier or **Stealth Products** at (512) 715-9995 or toll free at (800) 965-9229.

Always keep the operating instructions in a safe place so they may be referenced as necessary.

All information, pictures, illustrations, and specifications are based on the product information that was available at the time of printing. Pictures and illustrations shown in these instructions are representative examples and are not intended to be exact depictions of the various parts of the product.

CAUTION

These products are designed to be fitted, applied, and installed exclusively by a healthcare professional trained for these purposes. The fitting, application, and installation by a non-qualified individual could result in serious injury.

Warranty

Our products are designed, manufactured, and produced to the highest of standards. If any defect in material or workmanship is found, **Stealth Products** will repair or replace the product at our discretion. Any implied warranty, including the implied warranties of merchantability and fitness for a particular purpose, shall not extend beyond the duration of this warranty. **Stealth Products** does not warrant damage due to, but not limited to: misuse, abuse, or misapplication of product, and/or modification of product without written approval from **Stealth Products, LLC**. Any alteration or lack of serial number, where applicable, will automatically void all warranty.

Stealth Products, LLC is liable for replacement parts only. **Stealth Products, LLC** is not liable for any incurred labor costs.

Stealth Products warrants against failure due to defective materials or workmanship:

Covers: 2 years
Hardware: 5 years
Electronics: 3 years

In the event of a product failure covered by our warranty, please follow the procedures outlined below:

Call **Stealth Products** at (512) 715-9995 or toll free at (800) 965-9229.

Request a Return Authorization (RA) form from the Returns Department and follow the documentation instructions.

You can download additional copies of this manual by accessing the Stealth website (<https://stlpro.site/stealth-docs>) and searching "True Forming Back" in the search bar at the top of the page.

Supplier Reference

Supplier:	
Telephone:	
Address:	
Purchase Date:	
Model:	

Warning Labels

Warnings are included for the safety of the user, client, operator, and property. Please read and understand what the signal words **DANGER**, **WARNING**, **CAUTION**, **NOTICE**, and **SAFETY** mean, and how they could affect the user, those around the user, and property.



DANGER

Identifies an **imminent** situation which, if not avoided, may result in **severe injury, death, and property damage**.



WARNING

Identifies a **potential** situation which, if not avoided, may result in **severe injury, death, and property damage**.



CAUTION

Identifies a **potential** situation which, if not avoided, may result in **minor to moderate injury and property damage**.

NOTICE

Identifies important information not related to injury, but possible **property damage**.

SAFETY

Indicates steps or instructions for safe practices, reminders of safe procedures, or important safety equipment that may be necessary.

Limited Liability

Stealth Products, LLC accepts no liability for personal injury or damage to property that may arise from the failure of the user or other persons to follow the recommendations, warnings, and instructions in this manual.

Stealth Products does not hold responsibility for final integration of final assembly of product to end user. **Stealth Products** is not liable for user death or injury.

Testing

Initial setup and driving should be done in an open area free of obstacles until the user is fully capable of driving safely.

Intended Use

The True Forming Back, or TFB, has been created to provide extreme comfort, unparalleled customization options and trouble-free adjustability. The hardware is durable, easily accessible, and is hidden with a hook-and-loop attached back for a clean, sleek look.

The rigid aluminum shell, coupled with a double layer of soft, supportive foam and supple cover material, provides an optimal surface to match the contours of the user's back and upper torso. This helps to maintain proper positioning of the pelvis, back and torso.

Features

The TFB features:

- Depth and width adjustments;
- Angle adjustment without loss of seat depth;
- Push-button swing-away laterals assist with transfers from the chair;
- Smooth, finished edging on all parts; and,
- Full adjustability to meet the needs of almost any client.

Mounting

The TFB mounting hardware can be installed on almost any chair that utilizes canes or tubes. The TFB seat back is designed to be removable and provides additional width, angle and depth adjustments as needed. The TFB can accommodate many types of positioning belt systems and multiple headrests including the TWB480 and HMO series. It works with J&L, 2-Point Quick Release, All-Purpose Adjustable Knob, or Trouble Free mounting hardware. Two- and four-wing lateral configurations are also supported.

SAFETY

Always check all mounting hardware, making sure each fastener is properly tightened before using the back support.

NOTICE

Altering a back in any way and/or improper installation will void the warranty.



WARNING

User weight limit 250 lb. (113.40 kg)

Parts and Accessories Breakdown

A typical TFB package will contain the following items:

1. Back

Composed of a rigid aluminum shell (Linear, Contour or Flex models) with a dual layer of soft, supportive foam and a supple cover material of Neoprene, Airmesh or Coolcore®. A Foam-in-Place option is also available.

2. Mounting Hardware

Either J&L, Quick Release, All Purpose Adjustable Knob or Trouble Free mounting kit to fasten the back to the back posts (canes).

3. Lateral Wings

One or two pairs of lateral wings are included in the kit. Wings are installed on the sides of the shell and provide thoracic support. Wings are articulated or swing-away type, which allows easier transfers to and from the chair.

NOTICE

Refer to the TFB Hardware Manual for the Parts and Accessories section of the hardware chosen for your TFB Back.

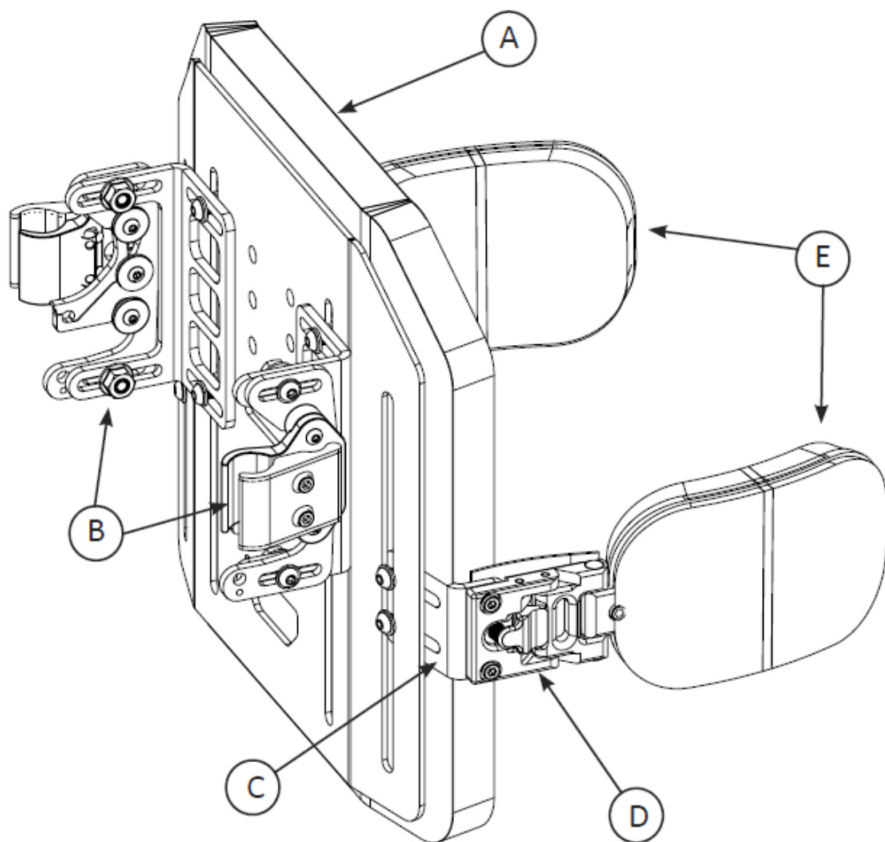
Shell Dimensions

Linear "R" Back	
Width	Height
10"	10"-14"
12"	12"-16"
14"	14"-18"
16"	16"-20"
18"	16"-20"
20"	16"-20"

Linear "I" Back	
Width	Height
10"	10"-14"
12"	12"-16"
14"	14"-18"
16"	16"-20"
18"	16"-20"
20"	16"-20"

Contour & Flex Back	
Width	Height
10"	10"-22"
11"	
12"	
13"	
14"	
15"	
16"	
17"	
18"	
19"	
20"	
21"	
22"	
23"	
24"	

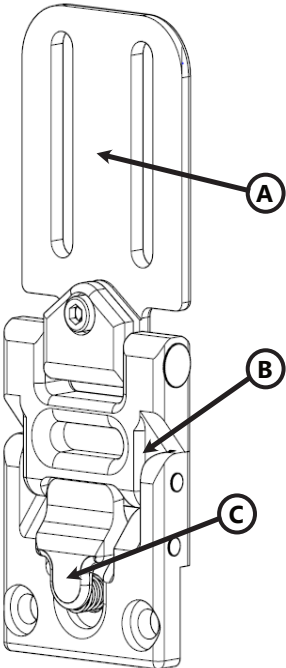
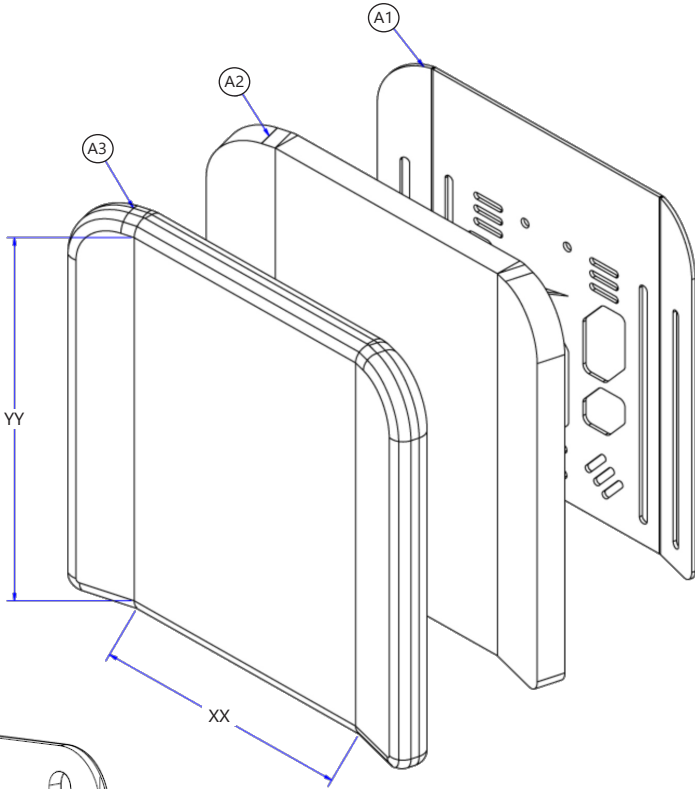
Hardware Parts



Item	Description	Qty.	
A	Back*	Back Shell and Cushion	1
B	Hardware Kit*	Mounting Bracket	2
C	Lateral Bracket*	Lateral Bracket	2
D	Lateral*	Lateral Wing	2
E	Support Cushion*	Lateral Cushion and Cover	2

* R-Back, Quick Release mounting hardware, and TWBL lateral shown. Actual hardware included with your kit will vary depending on options chosen. Instructions for mounting and installation to the chair are covered in the mounting hardware manual included with your kit.

TFB Backrest & Lateral



Item	Description	Qty
A1	TFBSHXXYYR*	Shell 1
A2	TFBF0XXYYR*	Foam 1
A3	FBC0XXYYR*	Cover 1

* XX width by YY height. R-Back shell shown here. Your shell may be different based on model and options chosen.

Item	Description
A	Pad Mount
B	Swing-Away Hardware
C	Quick Release Button

Note: The lateral design may be slightly different depending on the model chosen. A TWBL is shown, but many of the laterals will have the same components.

Preparations

Only a qualified service technician may install the TFB back and its accessories.

WARNING

An incorrect installation of the TFB and its accessories may cause damage to the hardware and/or injury to the user.

Tools

Use the proper tools to install and adjust the TFB to the desired position for the user.

CAUTION

The use of improper tools may cause damage to the device. Any connection must always be secured with all delivered screws. Use only the screws included in the package.

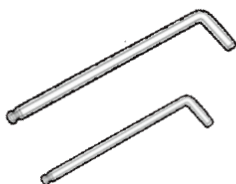
Installation Plan

Set up an installation plan before beginning the installation. This plan should take into account:

- Where the TFB will be placed as well as applicable laterals and support cushions;
- How the TFB will be operated - the quick release functions for the mount and laterals; and,
- Allowing sufficient clearance for other hardware and accessories.

Required Tools

The tools needed to complete the lateral installation are as follows:

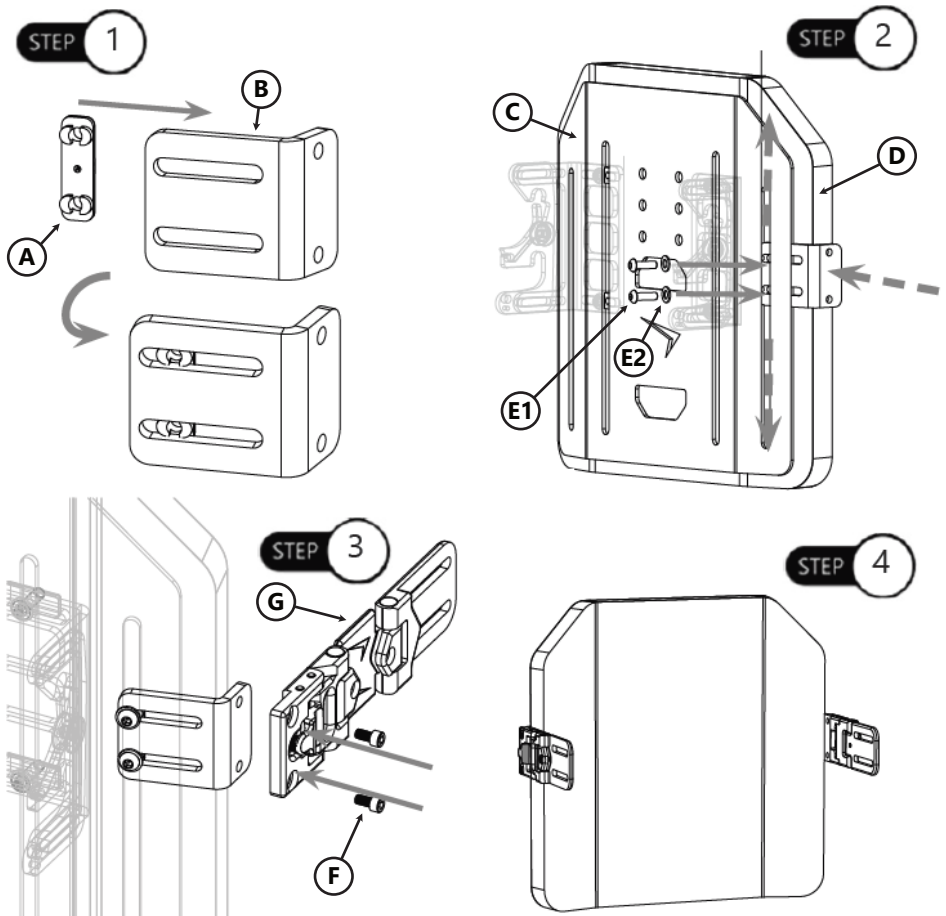


Hardware	Description
5/32" Hex Key	Lateral Mounting
1/8" Hex Key	Lateral Cushion Mount; Socket Head Screw on Lateral
4mm Hex Key	Button Head Screws on Lateral Bracket

Tools are not provided. Refer to the manuals included with any additional accessories for the additional tools required for their installation.

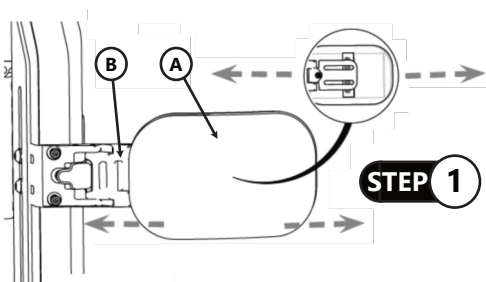
Installing the Laterals

- Step One:** Place the lateral track nut (A) into the groove of the 125° lateral bracket (B).
- Step Two:** Slide the 125° lateral bracket (B) between the aluminum shell (C) and covered foam back (D). After having the bracket in the correct position, use the two M6x1x12mm button head cap screws (E1), each with a 1/4" washer (E2), to secure the bracket in place. The depth that the bracket is placed can be adjusted to change the horizontal placement of the lateral to the appropriate position for the user. The vertical alignment of the bracket can be adjusted anywhere along the back rest track.
- Step Three:** Use the two 1/4-20x3/8" button head screws (F) to secure the lateral (G) to the bracket.
- Step Four:** Repeat steps 1-3 to mount each additional lateral.

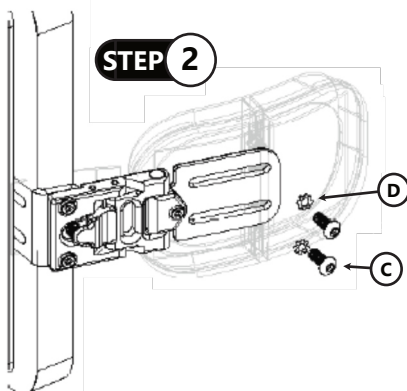


Installing the Cushion to the Laterals

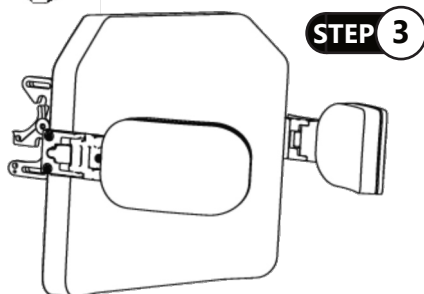
Step One: Slide the cushion (A) onto the lateral (B) using the flap on the back of the cushion cover. Align the holes on the curved metal plate of the cushion with the track on the lateral pad mount. The position of the cushion can be adjusted by aligning it anywhere on the lateral track.



Step Two: With the cushion in the correct place, use the two #10-32x5/8" button head cap screws (C), each with a #10 external tooth lock washer (D) to secure the cushion in place.

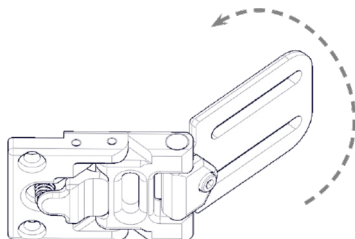
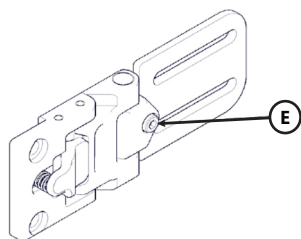


Step Three: Repeat steps 1-2, to mount each additional cushion to each additional lateral.



Lateral Adjustment

To adjust the angle of the Lateral hardware, use a 1/8" T-Handle on the 10-32 x 3/8" Socket Head Screw (E). Loosen the screw, adjust to the optimal position for the user and tighten securely to lock in place.



Dealer Assistance

During first time use by the client, it is advised that the dealer or service technician assists and explains the set-up to the customer (the user and/or the attendant). If needed, the dealer may make final adjustments.

User Testing

It is important that the customer is fully aware of the installation, how to use it, and what can be adjusted in order to gain as much mobility as possible. As a dealer, proceed as follows:

- Explain and show the customer how you have executed the installation, and explain the function.

Have the user test the position of the TFB:

- Is the hardware in the proper position for the client?
- Can the user safely operate all controls with minimal effort?

If needed, make any adjustments to the positioning.

Explain to the customer possible problems and how to address them.

Conditions of Use

The TFB is intended for use as installed by the dealer, in accordance with the installation instructions in this manual.

- The foreseen conditions of use are communicated by the dealer or service technician to the user and/or attendant during the first time use.
- If the usage conditions change significantly, please contact your dealer or a qualified service technician to avoid excessive wear and tear or unintended damage.

Cleaning

- Use a soft cloth to clean the back shell.
- Ensure all cleaners are approved for finished steel, aluminum, plastic, and upholstered surfaces.
- Hand wash the foam pad cover with mild, soapy water or detergent, rinse well, and let dry.
- Foam pad should NOT get wet.
- A brush with soap and water can be used to remove any dirt and debris that may become lodged in the zipper teeth.



WARNING

DO NOT immerse foam in water.
DO NOT Bleach. DO NOT tumble dry. DO NOT Iron.
DO NOT hand wash in water temperatures above 160°F (70°C).

To wash the covers of the laterals:

- Remove the pad/cover from the lateral; and,
- Machine wash in cold water on delicate cycle and drip dry.

Fabric care instructions can be found on the covers on the cushions and back.



CAUTION

Exercise caution when removing the back to avoid punctures, tears, or other damage to the fabric or foam.
Be careful not to catch hair, wires or other items when zipping and unzipping the covers.

Disinfection

- Wipe gently with a cloth dampened with a household disinfectant.
- Allow foam to air dry thoroughly.

Maintenance

These care and guideline instructions will keep the hardware and covers in good condition for a longer period of time and prevent damage.

- Check and tighten all fasteners on a regular basis. Do not overtighten the fasteners.
- Check pad/covers for any breakdown.
- Repair or replace parts as needed.
- Gently remove dust and dirt from hardware with a damp cloth as necessary.



© 2021, Stealth Products, LLC

Warranty Information



Home Page



Online User Manual

