

Stealth Products[®]



**Backs &
Support**



Tarta[®]

Original Backrest System

Owner's Manual - Maintenance Guide

Tarta[®] Original Backrest System



Table of Contents

Customer Satisfaction	i
General	i
Important Information.....	ii-iii
Warranty	ii
Supplier Reference.....	ii
Warning Labels.....	iii
Limited Liability	iii
Testing.....	iii
Design and Function	1-5
Intended Use.....	1
The Tarta System.....	1
Parts and Accessories	2-5
Parts Included	2
Tarta Original Back Specifications	3
Tarta Original Parts.....	4
Mounting Hardware Options.....	5
Kit Contents	5
Installation Instructions	6-18
Installing the Central Plates & Vertebrae.....	6
Installing the Ribs.....	7
Uninstalling Vertebrae & Ribs	8
Installing the Pads.....	9-10
Mounting Hardware.....	11-18
Adjustment Instructions.....	19-24
Width Adjustment of Rigidizer Bar.....	19
Vertebral Angle Adjustment.....	20
Rib Angle Adjustment	21
Column Height and Angle Adjustment	22
Converting Active Contour to Deep	23-24
First Time Use	25
Dealer Assistance	25
User Testing	25
Conditions of Use.....	25
Cleaning and Maintenance	26
Cleaning	26
General Maintenance.....	26

Stealth Products is committed to 100% customer satisfaction. Your complete satisfaction is important to us. Please contact us with feedback or suggestions to help us improve the quality and usability of our products.

You may reach us at:



Stealth Products, LLC
104 John Kelly Drive, Burnet, TX 78611



Phone: (512) 715-9995
Fax: (512) 715-9954

Toll Free: (800) 965-9229
Toll Free: (800) 806-1225

info@stealthproducts.com
www.stealthproducts.com

<p>EC REP</p> <p>MDSS GmbH Schiffgraben 41 30175 Hannover Germany</p>	<p>CH REP</p> <p>SODIMED SA Chemin Praz Devant 12 1032 Romanel sur-Lausanne Switzerland</p>	<p>UK Authorized Representative</p> <p>MDSS-UK RP 6 Wilmslow Road, Rusholme Manchester M14 5TP United Kingdom</p>
---	---	---

General

Read and understand all instructions prior to the use of the product. Failure to adhere to the instructions and warnings in this document may result in property damage, injury, or death. Product misuse or failure to follow instructions will void your warranty.

Immediately discontinue use if any function is compromised, if parts are missing or loose, or if any component shows signs of excessive wear. Consult with your supplier for repair, adjustment, or replacement.

All persons responsible for fitting, adjustment, and daily use of the devices discussed in these instructions must be familiar with and understand all safety aspects of the devices mentioned. In order for our products to be used successfully, you must read and understand all instructions on care and maintenance.

The installation instructions will guide you through this product's options and possibilities.

Instructions are written with the expressed intent of use with standard configurations. They also contain important safety and maintenance information, as well as describe possible problems that can arise during use. For further assistance, or more advanced applications, please contact your supplier or **Stealth Products** at (512) 715-9995 or toll free at (800) 965-9229.

Always keep the operating instructions in a safe place so they may be referenced as necessary.

All information, pictures, illustrations, and specifications are based on the product information that was available at the time of printing. Pictures and illustrations shown in these instructions are representative examples and are not intended to be exact depictions of the various parts of the product.

Important Information

CAUTION

These products are designed to be fitted, applied, and installed exclusively by a healthcare professional trained for these purposes. The fitting, application, and installation by a non-qualified individual could result in serious injury.

Warranty

Our products are designed, manufactured, and produced to the highest of standards. If any defect in material or workmanship is found, **Stealth Products** will repair or replace the product at our discretion. Any implied warranty, including the implied warranties of merchantability and fitness for a particular purpose, shall not extend beyond the duration of this warranty. **Stealth Products** does not warrant damage due to, but not limited to: misuse, abuse, or misapplication of product, and/or modification of product without written approval from **Stealth Products, LLC**. Any alteration or lack of serial number, where applicable, will automatically void this warranty.

Stealth Products, LLC is liable for replacement parts only. **Stealth Products, LLC** is not liable for any incurred labor costs.

Stealth Products warrants against failure due to defective materials or workmanship.

Covers: 2 years
Hardware: 2 years
Electronics: 2 years

In the event of a product failure covered by our warranty, please follow the procedures outlined below:

Call **Stealth Products** at (512) 715-9995 or toll free at (800) 965-9229.




Request a Return Authorization (RA) form from the Returns Department and follow the documentation instructions.

You can download additional copies of this manual by accessing the Stealth website (<https://stlpro.site/stealth-docs>) and searching "Tarta Original" in the search bar at the top of the page.

Supplier Reference	
Supplier:	
Telephone:	
Address:	
Purchase Date:	
Model:	

Warning Labels

Warnings are included for the safety of the user, client, operator, and property. Please read and understand what the signal words **DANGER**, **WARNING**, **CAUTION**, **NOTICE**, and **SAFETY** mean, and how they could affect the user, those around the user, and property.

 DANGER	Identifies an imminent situation which, if not avoided, may result in severe injury, death, and property damage .
 WARNING	Identifies a potential situation which, if not avoided, may result in severe injury, death, and property damage .
 CAUTION	Identifies a potential situation which, if not avoided, may result in minor to moderate injury and property damage .
NOTICE	Identifies important information not related to injury, but possible property damage.
SAFETY	Indicates steps or instructions for safe practices, reminders of safe procedures, or important safety equipment that may be necessary.

Limited Liability

Stealth Products, LLC accepts no liability for personal injury or damage to property that may arise from the failure of a user or other persons to follow the recommendations, warnings, and instructions in this manual.

Stealth Products does not hold responsibility for final integration of final assembly of product to end user. **Stealth Products** is not liable for user death or injury.

Testing

Initial setup and driving should be done in an open area free of obstacles until the user is fully capable of driving safely.

Intended Use

The **Tarta Original** system's balance of comfort and functionality provides unique supportive benefits to users with even the most difficult postural anomalies. Its versatility and adaptability allow for a custom-molded fit for each patient, while its individually and independently mounted staves allow the **Tarta Original** backrest to be fully customizable.

The Tarta Original system is intended for use by individuals for whom other seating systems lack the necessary support and customization, as well as for individuals who, clinically, have non-traditional sizing requisites.



WARNING

Do not use this device
prior to receiving a clinical evaluation

The Tarta System

The **Tarta Original** system is a backrest devised to be adaptable to each individual and their unique positioning needs. It utilizes a combination of design, materials, and technology to deliver a highly configurable, easy-to-use product. **Tarta Original** offers a high degree of comfort while introducing a uniquely functional design following the modular build-a-back philosophy.

The materials used in **Tarta Original** have been designed to achieve the highest levels of performance. The pre-stressed steel used for the vertical spine column flexes to follow the movement of the user, giving freedom of movement, and then returns to an original position. The padding is made of washable, breathable material.

The **Tarta Original** backrest consists of an exoskeleton similar to the rib cage in which adjustable aluminum ribs can be configured to conform to the position of the person, and are attached to customizable central vertebrae which simulate a spinal column.

Parts Included

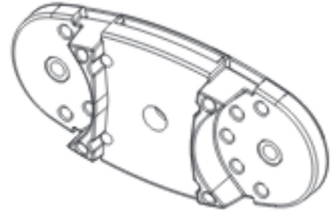
The **Tarta Original** system consists of a series of vertebrae that, when joined together by elements made from pre-stressed steel, closely parallel the form and characteristics of a spinal column.

Each **Tarta Original** system is comprised of the following items:

Vertebrae

The custom, build-a-back nature of the product allows for virtually any height back configuration. Configurations usually start at three vertebrae and additional vertebrae are added to fit the shoulder height of the user.

Each vertebra has a height of 50mm (1.97in) and an excursion of up to 10mm (.39in).



Ribs

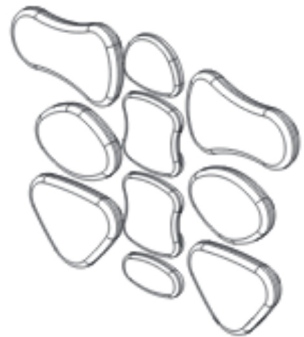
On each vertebra it is possible to fit ribs that provide both posterior and lateral support. These ribs are available in four different sizes: small, medium, large, and extra large. The position of the rib is determined by locking plugs in the spine. Made of malleable aluminum, they can be manually contoured in the field to create a more intimate fit.



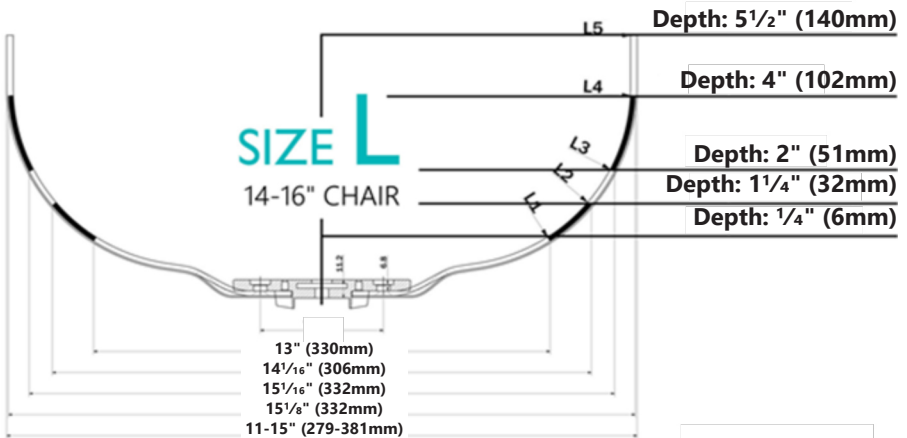
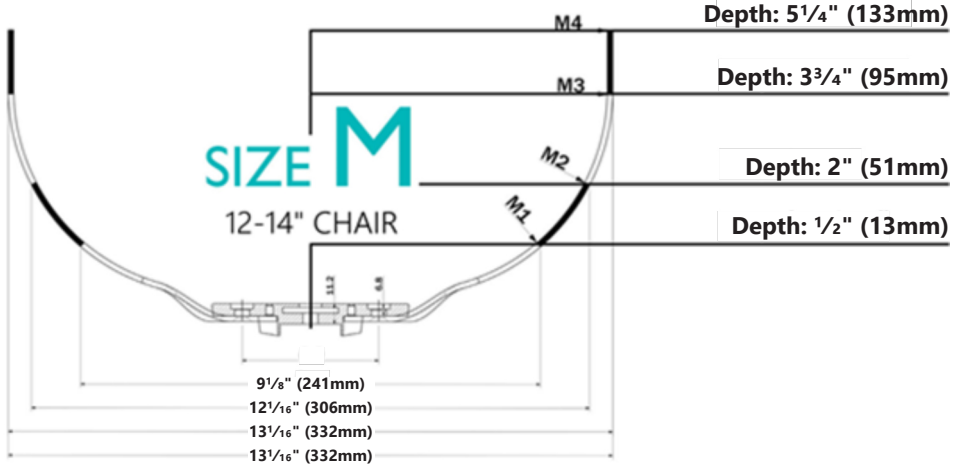
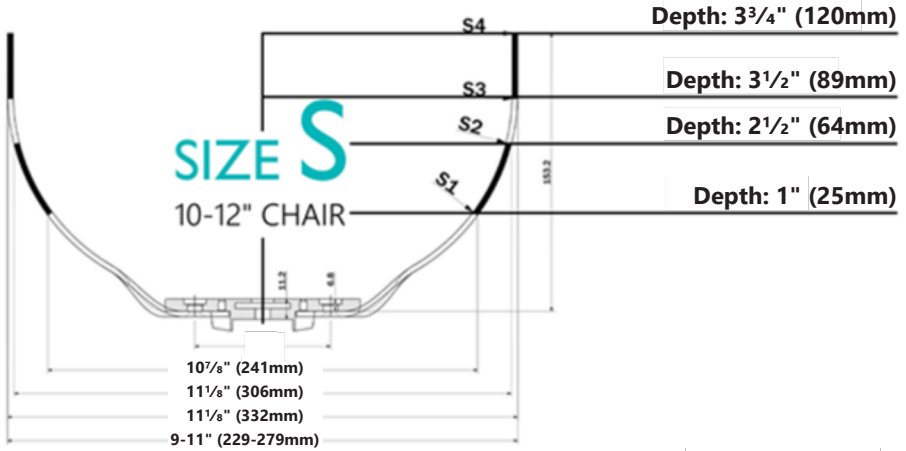
Padding

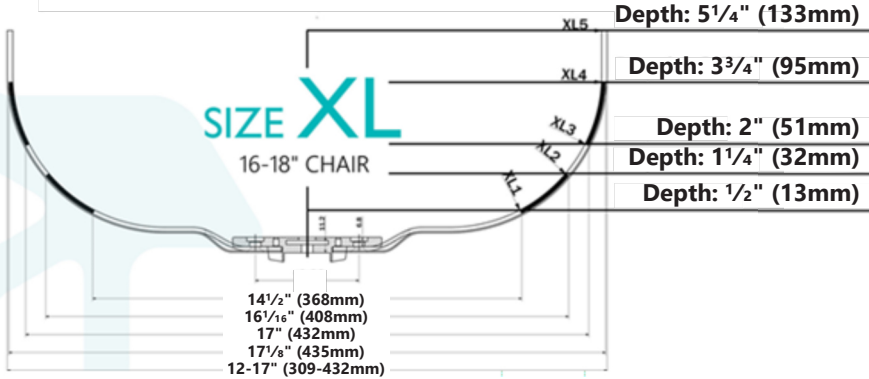
After the ribs are installed, the padding is fitted and easily adjusted by means of hook-and-loop fasteners.

Once the final configuration has been established, the pads are securely mounted to the ribs using screws and t-nuts.



Tarta Original Back Specifications











Tarta Original Parts

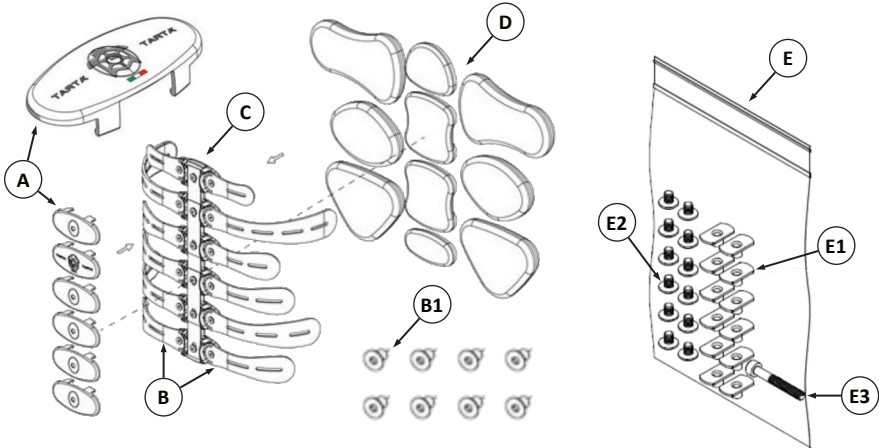
PADS				COLUMNS		
				4-SECTION	5-SECTION	6-SECTION
				 		<i>Ergonomic - Modular Flexible - Revolutionary</i>
RIBS						

* Images shown above are not exact representations of parts included in the kit. Tarta Original package kits are comprised of combinations of the parts listed above and are pre-configured to fit a specific range of sizes.

Mounting Hardware Options

Part	Description	Part Number	12"	13"	14"	15"	16"	17"	18"	19"	20"
	Tarta Hardware Kit, Single Point, Adjustable Height, Small-Medium	TRTHW1AS	X	X	X	X	X				
	Tarta Hardware Kit, Single Point, Adjustable Height, Large-X Large	TRTHW1AL						X	X	X	X
	Tarta Hardware Kit, 2 Point, Removable, Small-Medium	TRTHW2RS		X	X	X					
	Tarta Hardware Kit, 2 Point, Removable, Large-X Large	TRTHW2RL					X	X	X	X	X
	Tarta Hardware Kit, Single Point, Removable, Small-Medium	TRTHW1RS			X	X					
	Tarta Hardware Kit, Single Point, Removable, Small-Medium	TRTHW1RL					X	X	X		

Kit Contents*



Item		Description
A	Carter	Vertebra and Rib Cover
B	Ribs	Sturdy, Adjustable Wings (B1) - M6 x 10mm FHS (2/vertebra)
C	Vertebrae	Rib Supports
D	Support Pads	Soft, Adjustable Support
E	TRTHWPAD-12	Hardware Kit (E1) - M4 T-Nut (12) (E2) - M4 Button Head Screw (12) (E3) - M4 Socket Head Screw (1)

Vertebrae	# M6 Included
4	8
5	10
6	12

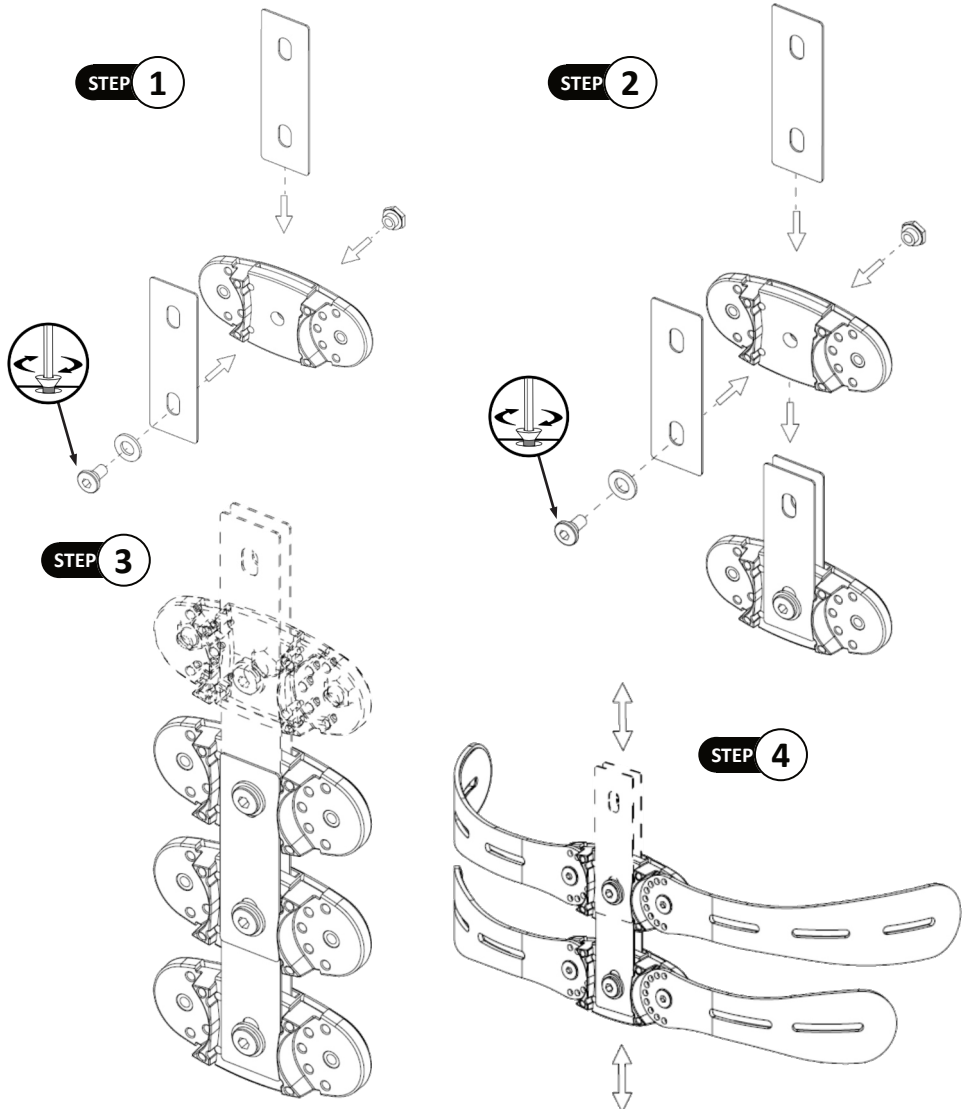
* As the Tarta Back is highly customizable, the contents of your kit will probably vary from the kit shown here.

Installing the Central Plates & Vertebrae

Use a 5mm hex key to tighten the screws into the central plates.

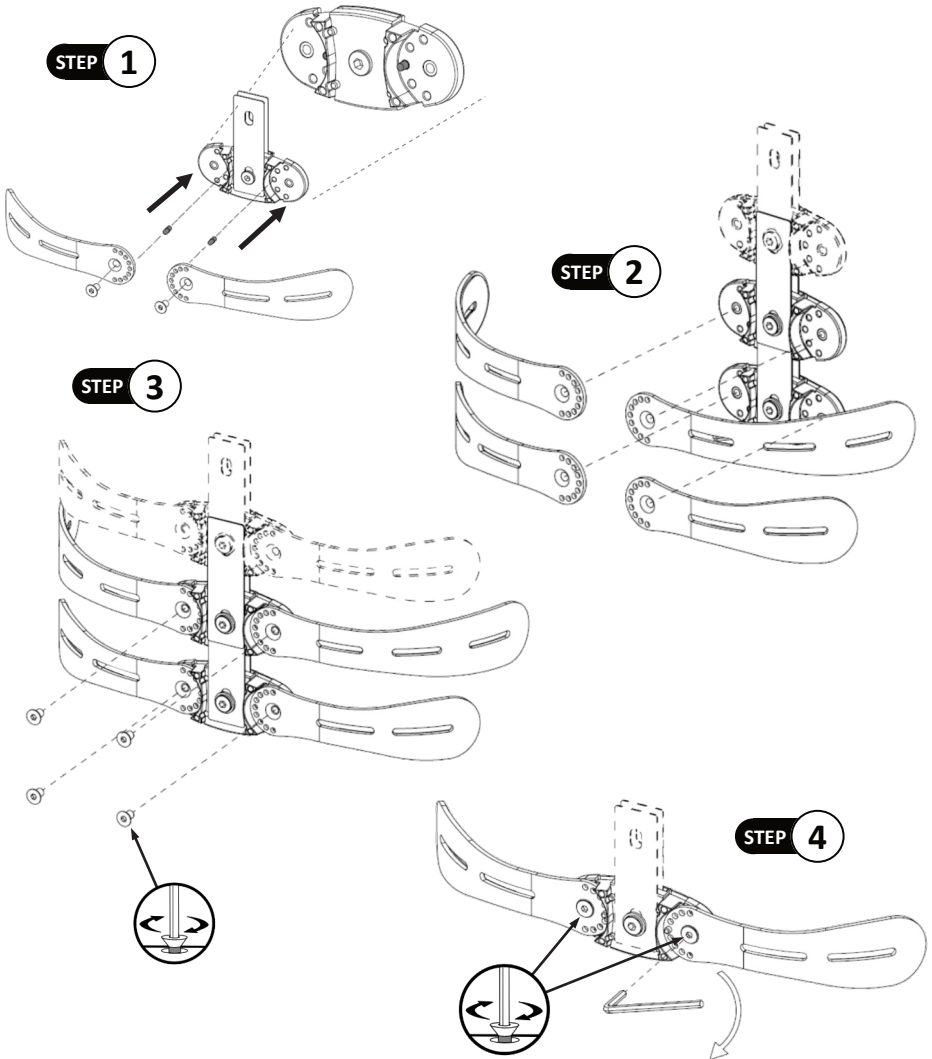
NOTICE

Reference the previous section for Back-in-a-Box part numbers and components.



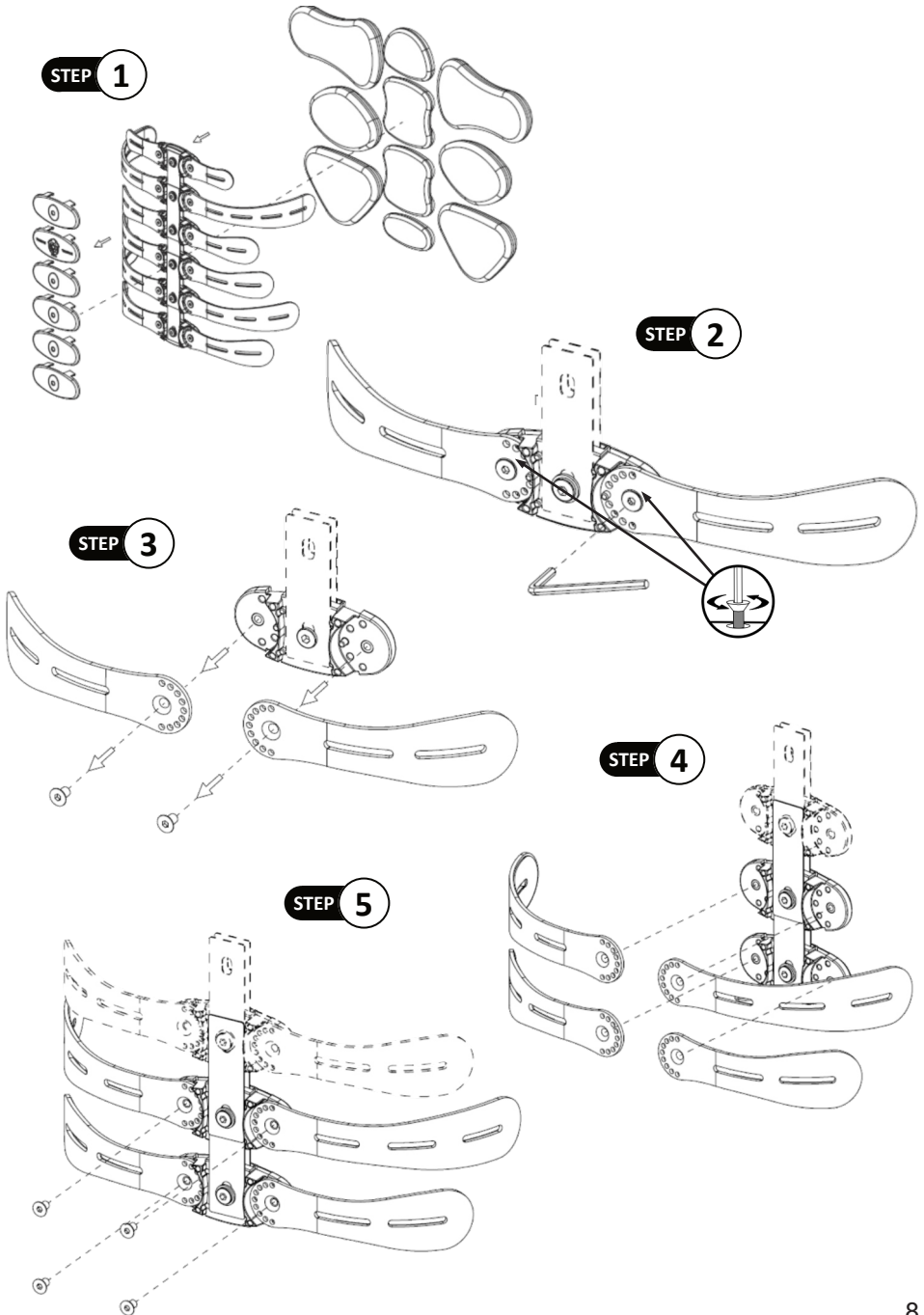
Installing the Ribs

- Step 1:** Place the alignment pins (one per side) to place the rib in the desired position on the vertebra. Use an M6 x 10mm FHS (B1) and a 4mm hex key to affix each rib to the vertebra.
- Step 2:** Install the next set of ribs, placing the alignment pin, aligning the rib to the desired position, and securing with an M6 x 10mm FHS (B1).
- Step 3:** Repeat Step 2 until all the ribs are installed.
- Step 4:** Once all the ribs are mounted and positioned, go over each screw and ensure they are snug.



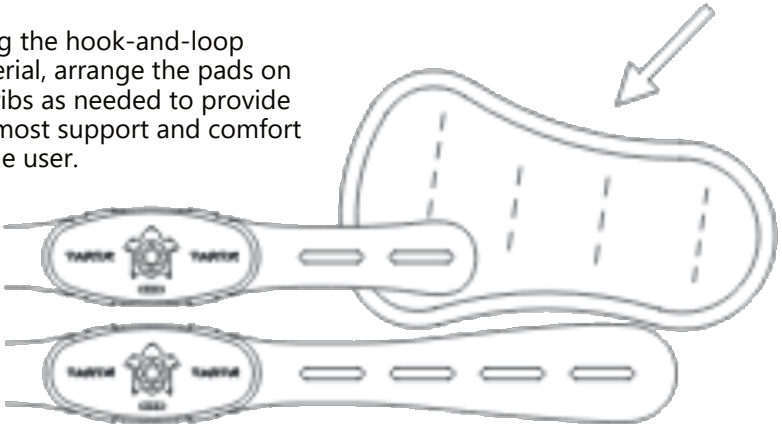
Uninstalling the Vertebrae/Ribs

Using a 4mm hex key, loosen the M6 screws to remove the ribs.

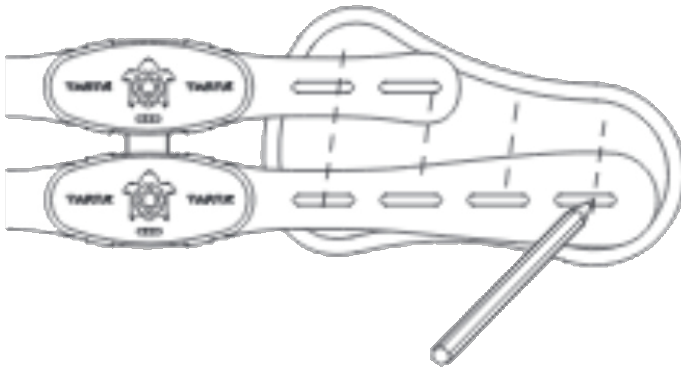


Installing the Pads

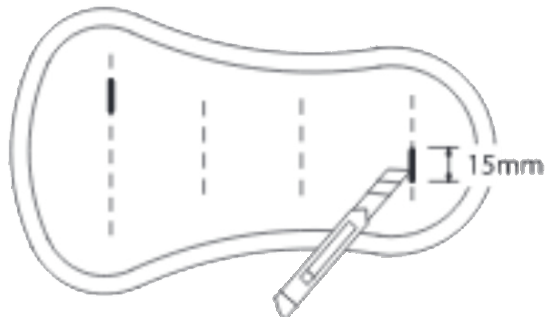
Step 1: Using the hook-and-loop material, arrange the pads on the ribs as needed to provide the most support and comfort to the user.



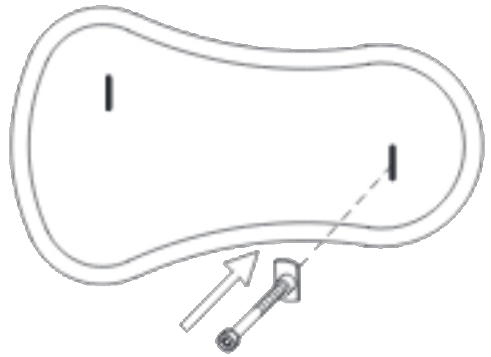
Step 2: Once the configuration is complete, Use a pencil and mark the screw locations on the back of the pad through the slots in the ribs.



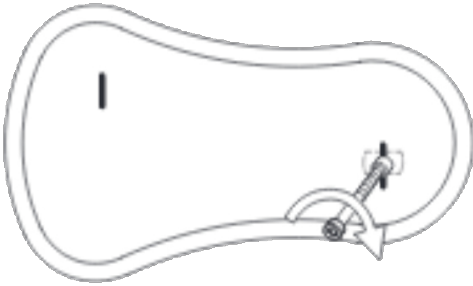
Step 3: Remove the pad from the ribs and cut a 15mm (.59") slot into the back of the pad, making sure to break through the backing of the pad.



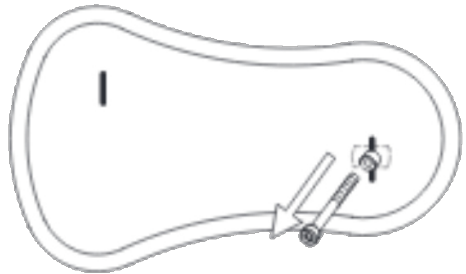
Step 4: Thread an M4 T-Nut (E1) on the provided M4 Socket Head Screw (E3), and insert it into the slot on the back of the pad.



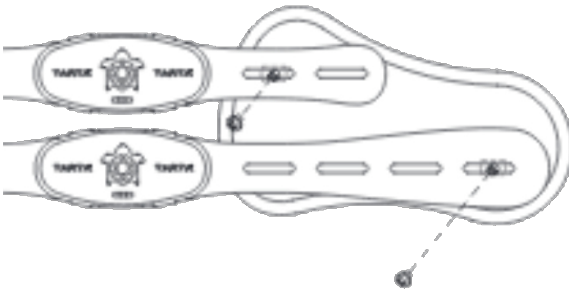
Step 5: Turn the M4 T-Nut (E1) a quarter-turn clockwise.



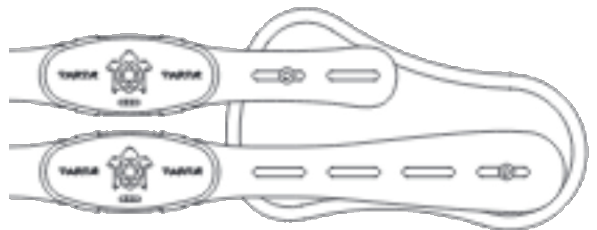
Step 6: Remove the M5 Socket Head Screw (E3) from the M4 T-Nut (E2)



Step 7: Place the pad back into the previous position on the ribs. Ensure the slots from the rib and the holes made on the pad are lined up.



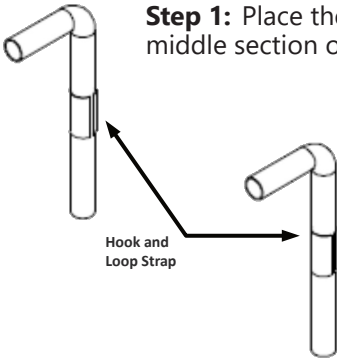
Step 8: When the pad is properly oriented on the ribs, use the M4 Button Head Screws (E1) to secure the pad to the ribs.



Mounting Hardware

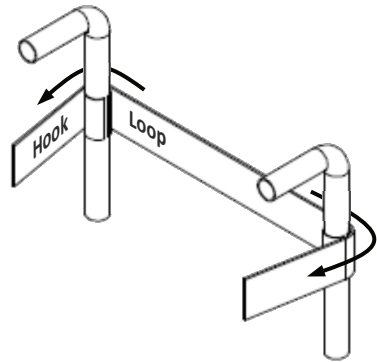
Tension Strap

The tension strap adds support and helps stabilize the desired section of the Tarta back. The tension strap should be installed after the back has been installed and final adjustments have been made. In the case of single-point adjustable and removable hardware, it is recommended the strap be placed as high above the hardware as possible. For 2-point hardware, it is recommended the strap be placed as low as possible below the hardware.



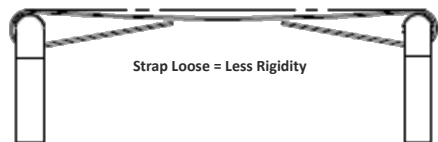
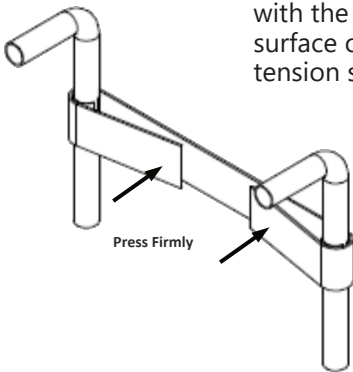
Step 1: Place the provided hook-and-loop strap directly on the middle section of the canes.

Step 2: Wrap the tension strap around the canes. The tighter the strap is pulled, the more rigid the back will be.



Step 3: Attach the strap that has both hook and loop surfaces on either side first. The hook side of the surface should be facing outward to receive the second strap.

Step 4: Wrap the other side of the strap with the loop surface onto the tension strap.

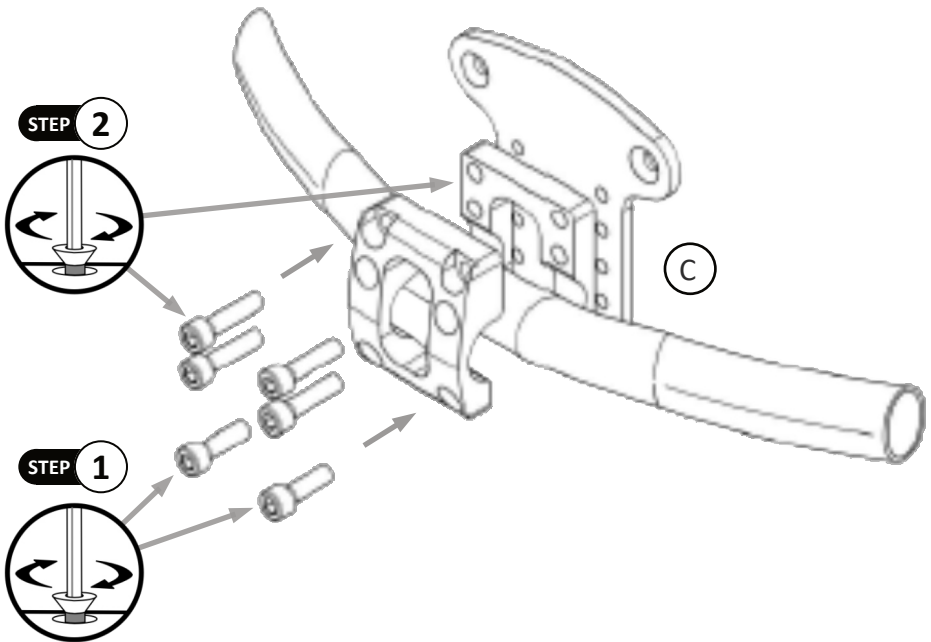


To adjust the tension strap, pull the ends of the strap to separate the hook and loop surfaces. Adjust the strap to the desired tension and press the hook and loop surfaces together to fasten it in place.

Single Point, Adjustable Mount

To adjust the height of the mounting clamp on the mounting plate follow the instructions below:

- Step 1:** Attach and tighten clamp onto chair rigidizer bar (B) with two (2) of the six (6) M6 screws provided in the hardware kit. This will secure the clamp to the bar and hold it in place while preparing to secure the mounting plate.
- Step 2:** Align the Tarta mounting plate (C) with the clamp. Using the remaining four (4) M6 screws, secure and tighten clamp to plate.
- Step 3:** Determine which vertebra the mounting plate will be attached to. Remove

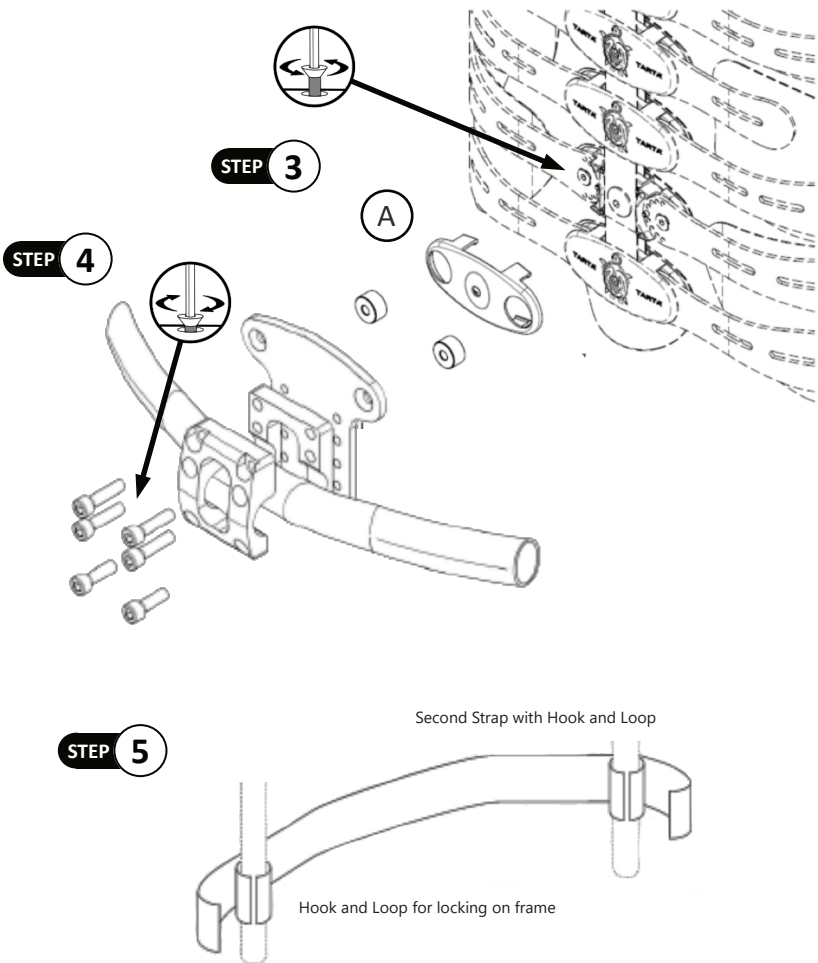


Installation Instructions

the M6 screws on the vertebra where the clamp will be placed. Position the carter (A) on the vertebra and snap into place. The ribs will be loose. Place the two (2) spacers inside the center mount holes on the carter.

Step 4: Using the M6 screws provided with the mounting hardware, insert the screws into the spacers on the carter, and secure.

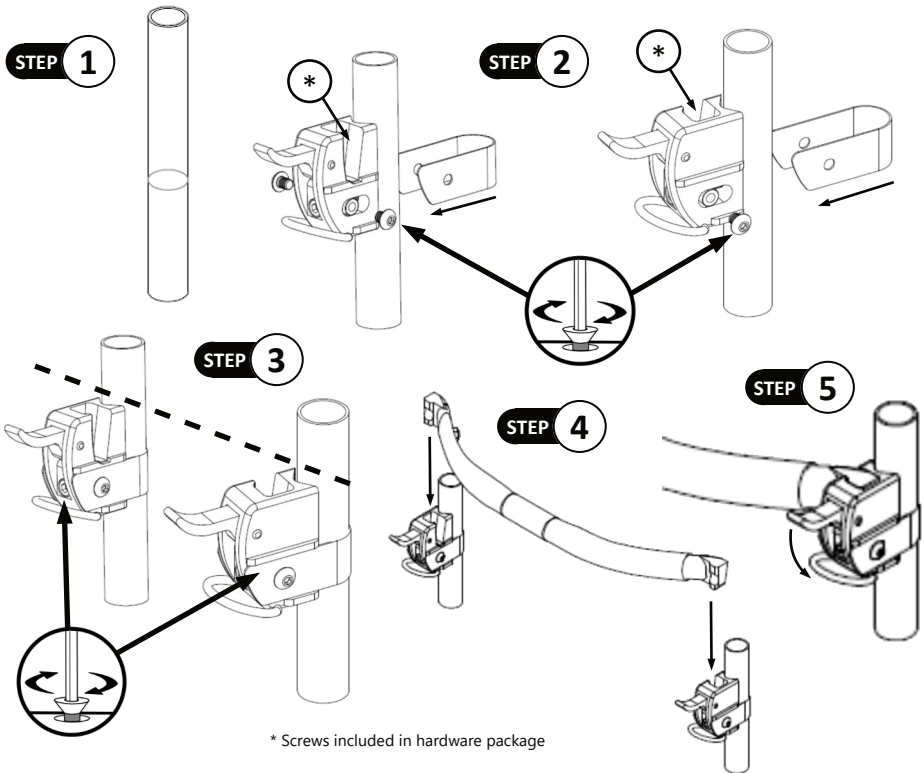
Step 5: Remove logo cover from the hook and loop strap. Position on the chair*, wrap around the canes, and secure the hook and loop strap directly back on itself.



** The tension strap should be installed as high above the single-point hardware as possible.*

Single Point, Removable Mount

- Step 1:** Mark tubing at desired height for hardware.
- Step 2:** Align lever block to height marked on canes. The hardware is side-specific. Insets on the mounting hardware should be facing inward.
- Step 3:** Slide u-clamp onto cane. Clamp should be outside mounting hardware. Insert two M6 BHS* into hardware and tighten with a 3mm hex key. Tighten the 4mm bolt under the locking lever to secure lever block in place.
- Step 4:** Locate rigidizer bar. Lower rigidizer bar into hardware mounting insets.
- Step 5:** Lower the locking lever on the hardware once the bar is in place.
- Step 6:** When locking lever is in the down position, slide the locking rig over the lever to prevent breaking or shifting of the hardware.



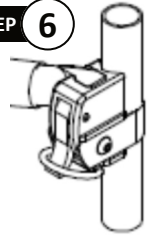
SAFETY

Ensure hardware is installed at the same height on the canes. Installing hardware at different heights could prevent the back from being properly installed and could cause injury.

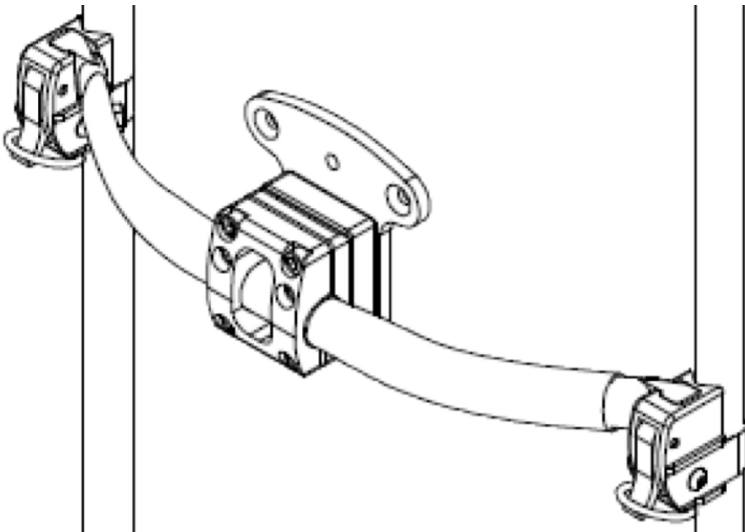
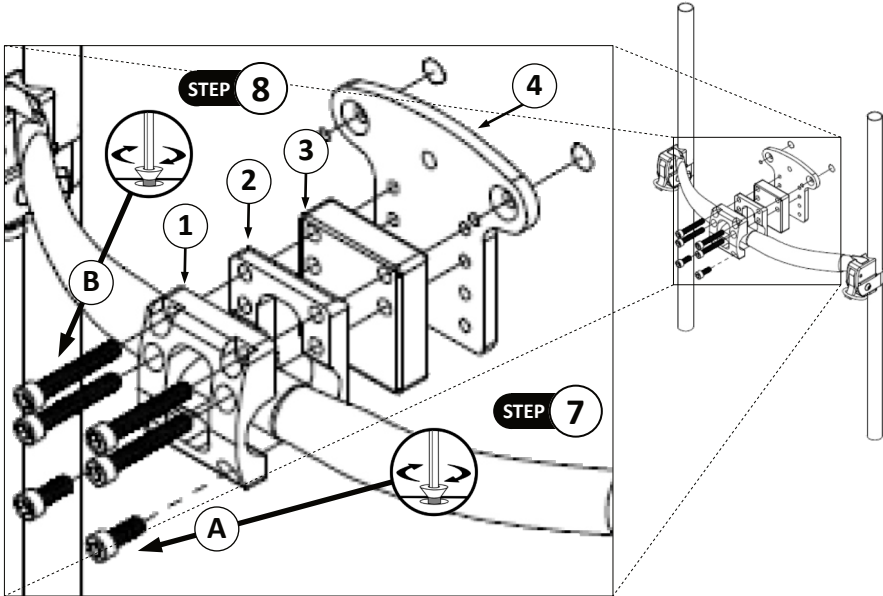
Installation Instructions

Step 7: Using a 5mm hex key, secure clamp onto rigidizer bar with the provided M6 x 16mm SHS (A). The M6 screws will secure the front of the clamp (1) to the back (2).

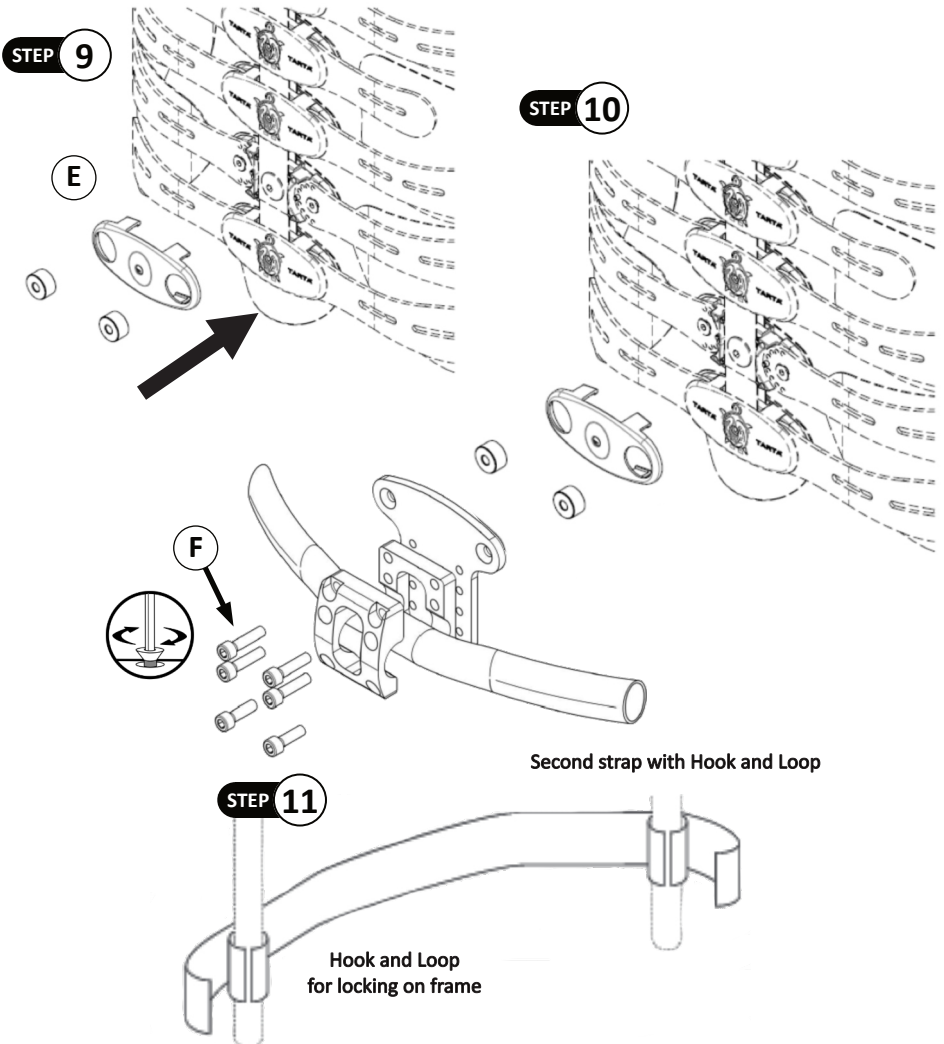
STEP 6



Step 8: With a 5mm hex key, secure the spacer (3) and Tarta plate (4) onto the clamp. Secure the rigidizer bar using the M6 x 40mm SHS (B).



- Step 9:** Determine the vertebra to which the hardware will be mounted. Remove the carter from the vertebra and replace with the provided carter containing center mount holes (E). Position the carter on the vertebra and snap into place. The ribs will be loose. Place the two spacers inside the center mount holes on the newly installed center.
- Step 10:** Align the Tarta back with the Tarta plate (D). Secure and tighten the M6 x 30mm FHS (F).
- Step 11:** Remove logo cover from hook and loop strap. Position on the chair*, wrap around the canes, and secure with hook and loop strap back to itself.

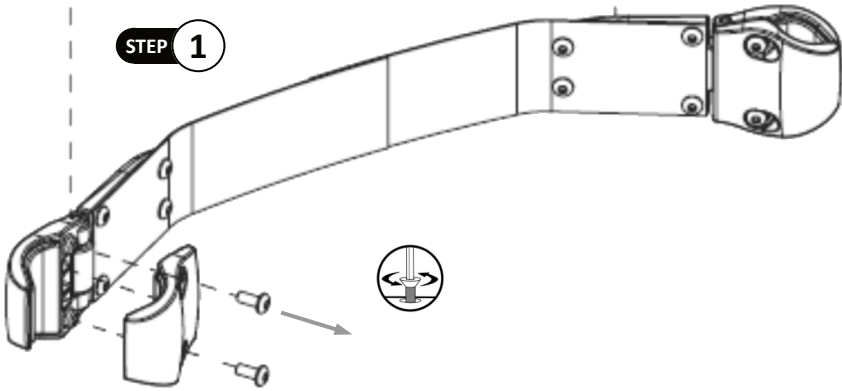


* The tension strap should be installed as high above the single-point hardware as possible.

2-point Removable Mount

To install the Tarta backrest onto the chair:

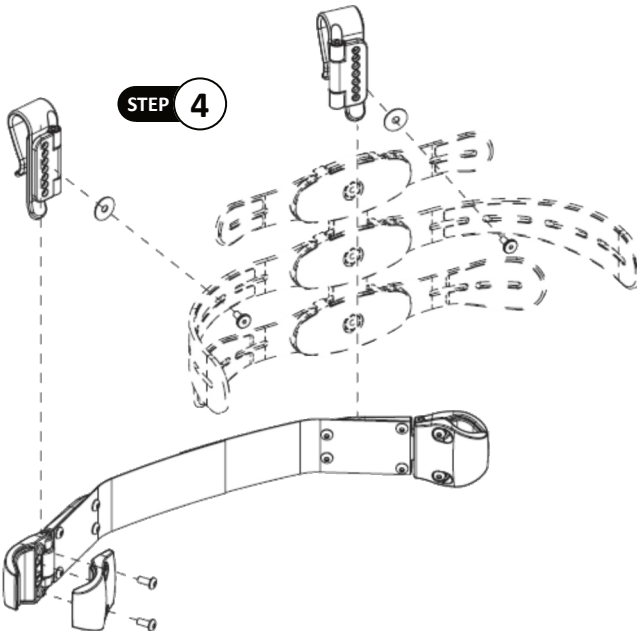
Step 1: Loosen the M5 screws in order to separate the clamp halves.



Step 2: Position the clamps on the canes and tighten M5 screws to secure.

Step 3: Remove the slack from the strap.

Step 4: Determine the proper location of hooks.



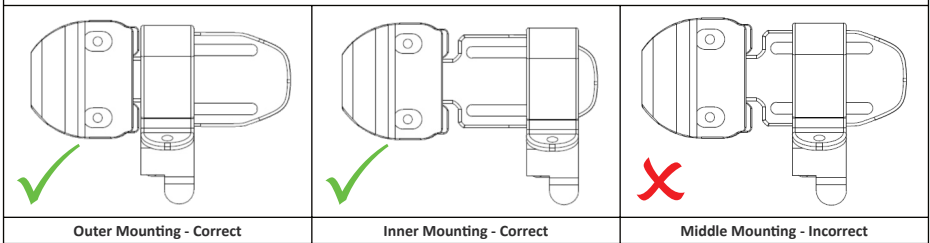


CAUTION

To remove the hooks properly, lift them up, not out.

* Ensure the hooks are mounted all the way to the inside or outside of the tracks on the clamps. Improperly mounting the hooks in the middle will cause the back to move side to side. See *Figure 1* below for correct and incorrect placement on the hooks.

Figure 1.



Step 5: Place M6 screws on the inside of the back through rib/washer and tighten on the hook.

* Before mounting the clamp, check that the rubber insert on the clamp is properly set and not backwards.

Step 6: Install the tension strap, if needed. It should be installed as low, and as far from the mounting strap, as possible.

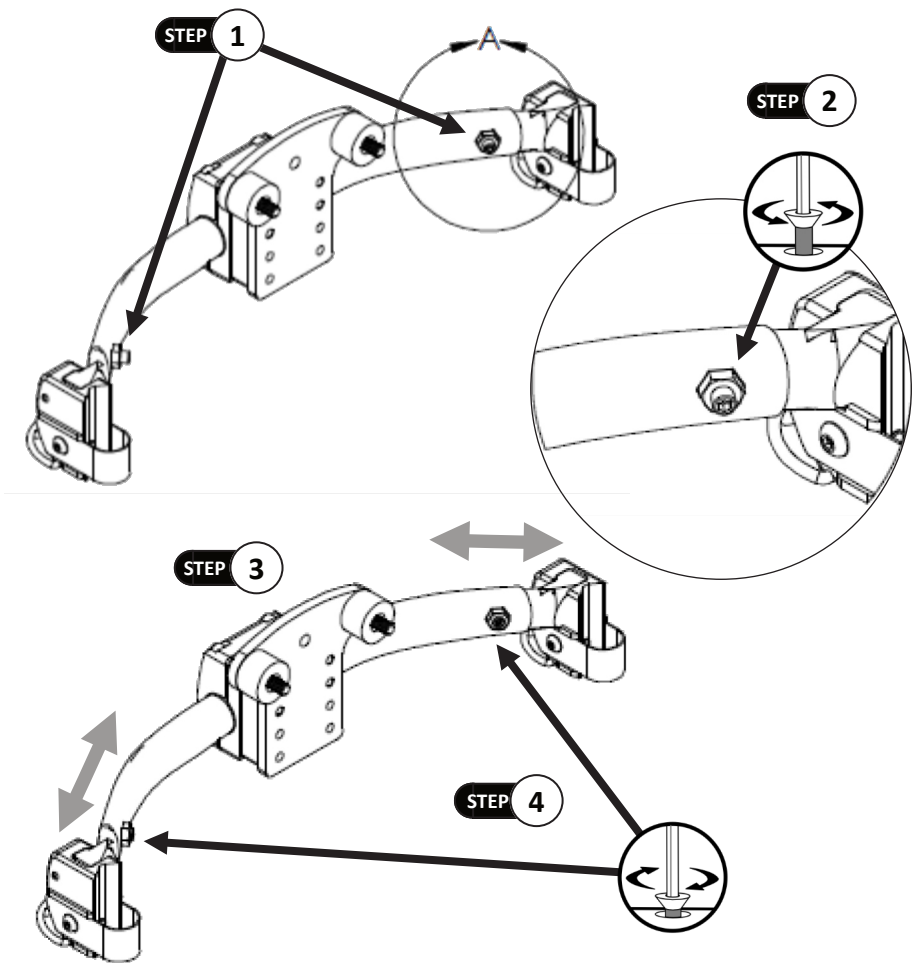
Width Adjustment of Rigidizer Bar

Step 1: Locate the M6 set screw and M5 nut on the rigidizer bar.

Step 2: With a 3mm hex key, slightly loosen the set screw. Do not loosen completely as the M6 nut will fall from the bar.

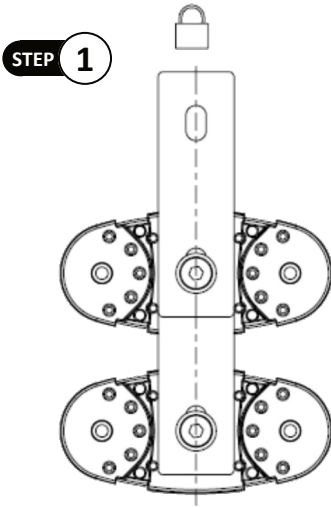
Step 3: Slide arms of rigidizer bar outward until the desired width is achieved.

Step 4: Ensure the width properly fits on the chair and tighten the M6 set screws.



Vertebral Angle Adjustment

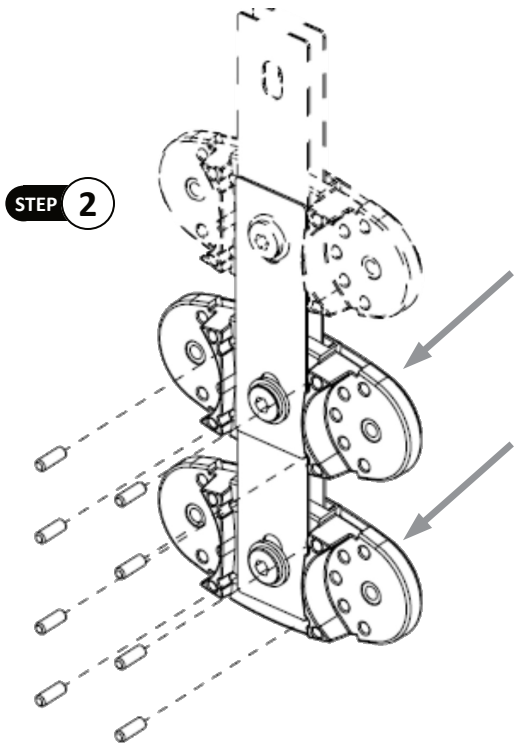
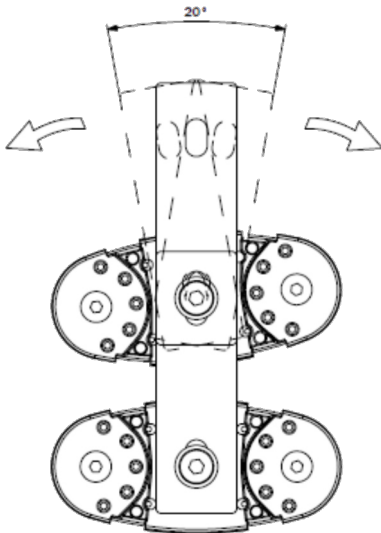
* **Step 1** shows standard configuration of vertebrae when received.



The angle of the vertebrae can be adjusted up to 20° to the left or right.

Step 2: To adjust the angle of the vertebrae, remove the pins (four total on each vertebra) by pushing from the front of the back outward.

Adjust the vertebrae to the desired angle and lock down the center bolt to secure.

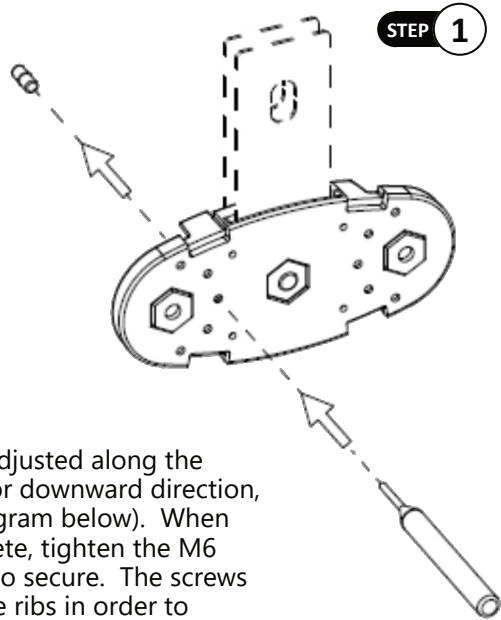


NOTICE

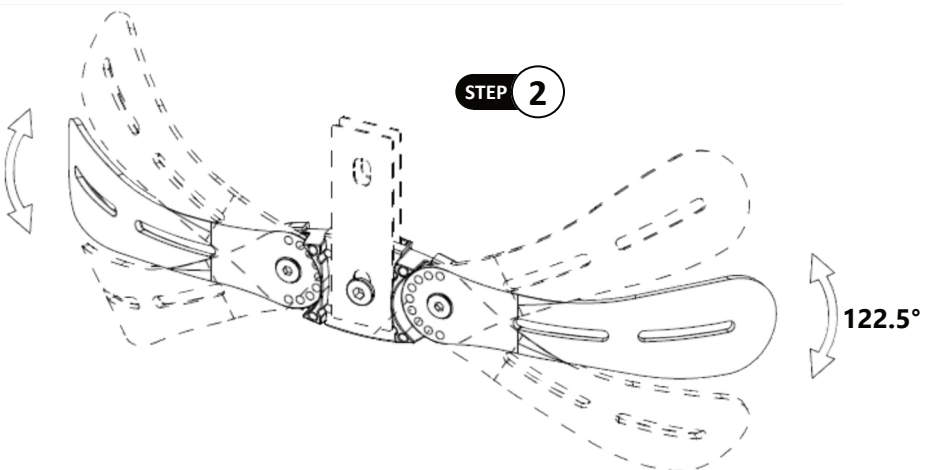
Extra pins are NOT provided in the hardware package. Remove pins in an area where they are easily retrievable if dropped. Keep in a secure location when not in use.

Rib Angle Adjustment

Step 1: Each vertebra includes two pins (one per side), which when removed, enable lateral inclination of the ribs 10°. Remove the pins by using a punch on the front and pushing them outward.



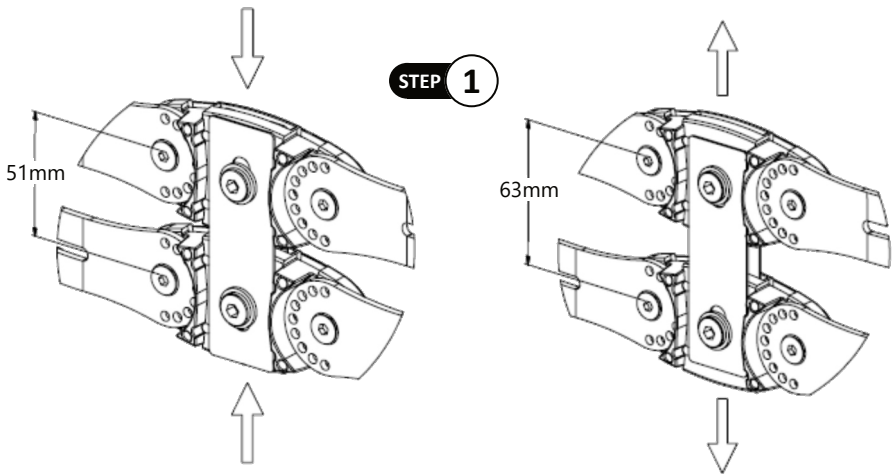
Step 2: The ribs' angles can be adjusted along the vertebrae in an upward or downward direction, a total of 122.5° (see diagram below). When the adjustment is complete, tighten the M6 screws with M5 hex key to secure. The screws **MUST** be replaced on the ribs in order to completely secure to the vertebrae.



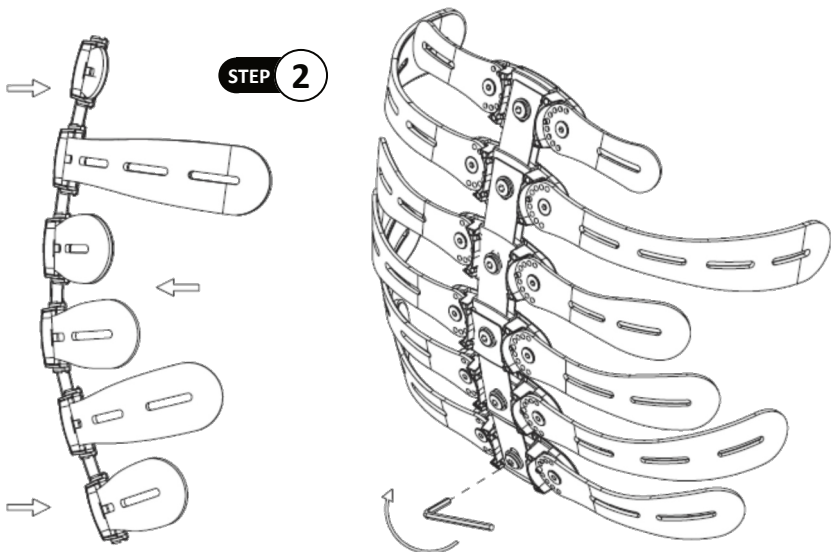
Column Height and Angle Adjustment

Step 1: The total height of the column can be adjusted by tightening/loosening the vertebrae with a 5mm hex key and compressing or extending the central plates.

- A minimum distance of 51mm between ribs is possible when central plates are compressed.
- A maximum distance of 63mm between ribs is possible when the central plates are separated.



Step 2: To put a bend in the column, loosen the vertebrae with a 5mm hex key. Articulate the back to the desired angle and tighten the vertebrae to 25 N·m.



Converting Active Contour to Deep

Tarta standard kits ship with extra ribs and pads. The extra hardware allows the active contour to be converted to a deep contour.

The following instruction sets apply **ONLY** to Tarta package kits:

TARTA Package	Instructions
<p>TRTBS4A</p> <p>Height Range: 8" - 9" Trunk Width Range: < 10"</p> <p>Extra Parts: TRT-RIB-S3 (2), TRT-RIB-S4 (2) TRT-PAD-051 (2), TRT-PAD-053 (2)</p>	<p>Remove -S2 ribs (2nd row*). Replace with -S4 ribs. Remove -056 pads (Top R & L). Replace with -053 pads. Two extra -S3 ribs are provided for the user. Two extra -051 pads are provided for the user.</p>
<p>TRTBM4A</p> <p>Height Range: 8" - 9" Trunk Width Range: 10" - 12"</p> <p>Extra Parts: TRT-RIB-M4 (2) TRT-PAD-051 (2), TRT-PAD-054 (2)</p>	<p>Remove -M1 ribs (1st row*). Replace with -M2 ribs (1st row), Remove -M2 ribs (2nd row). Replace with -M4 ribs (2nd row). Remove the -056 pads (Top R & L). Replace with -054 pads. Two extra -051 pads are provided for the user.</p>
<p>TRTBL4A</p> <p>Height Range: 8" - 9" Trunk Width Range: 12" - 14"</p> <p>Extra Parts: TRT-RIB-L4 (2), TRT-RIB-L5 (2) TRT-PAD-051 (2), TRT-PAD-054 (2)</p>	<p>Remove the -L3 ribs. (2nd row*). Replace with -L4 ribs. Remove the -057 pads (Top R & L). Replace with -054 pads. Two extra -L5 ribs and -051 pads are provided for the user.</p>
<p>TRTBX4A</p> <p>Height Range: 8" - 9" Trunk Width Range: 14" - 17"</p> <p>Extra Parts: TRT-RIB-XL4 (2), TRT-RIB-XL5 (2) TRT-PAD-051 (2), TRT-PAD-055 (2)</p>	<p>Remove -XL3 ribs. (2nd row*). Replace with -XL4 ribs. Remove the -058 pads (Top R&L). Replace with -055 pads. Two extra -XL5 ribs and -051 pads are provided for the user.</p>
<p>TRTBS5A</p> <p>Height Range: 10" - 11" Trunk Width Range: < 10"</p> <p>Extra Parts: TRT-RIB-S3 (2), TRT-RIB-S4 (2) TRT-PAD-053 (2)</p>	<p>Remove -S2 ribs (2nd row*). Replace with -S4 ribs. Remove -056 pads (Top R&L). Replace with -053 pads. Two extra -S3 ribs are provided for the user.</p>
<p>TRTBM5A</p> <p>Height Range: 10" - 11" Trunk Width Range: 10" - 12"</p> <p>Extra Parts: TRT-RIB-M4 (2) TRT-PAD-054 (2)</p>	<p>Remove -M2 ribs (2nd row*). Replace with -M4 ribs. Remove -056 pads (Top R&L). Replace with -054 pads.</p>

If you have questions or concerns, please contact your dealer or Stealth Products.

* For identification of Tarta parts, please consult "Tarta Hardware Parts" on page 4 of this manual. References to rib replacements start at the top of the Tarta back (first row) and go down the column from there.

TARTA Package	Instructions
<p>TRTBL5A</p> <p>Height Range: 10" - 11" Trunk Width Range: 12" - 14"</p> <p>Extra Parts: TRT-RIB-L4 (2), TRT-RIB-L5 (2) TRT-PAD-054 (2)</p>	<p>Remove -L3 ribs (2nd row*). Replace with -L5 ribs. Remove -L3 ribs (4th row). Replace with -L4 ribs. Remove -L2 ribs (5th row). Replace with -L3 ribs. Remove -057 pads (Top R&L). Replace with -053 pads.</p>
<p>TRTBX5A</p> <p>Height Range: 10" - 11" Trunk Width Range: 14" - 17"</p> <p>Extra Parts: TRT-RIB-XL4 (2), TRT-RIB-XL5 (2) TRT-PAD-055 (2), TRT-PAD-061 (2)</p>	<p>Remove -XL3 ribs (2nd row*). Replace with -XL5 ribs. Remove -XL3 ribs (4th row). Replace with -XL4 ribs. Remove -058 pads (Top R&L). Replace with -055 pads. Remove -060 pads (Bottom R&L). Replace with -061 pads.</p>
<p>TRTBS6A</p> <p>Height Range: 12" Trunk Width Range: <10"</p> <p>Extra Parts: TRT-RIB-S3 (2), TRT-RIB-S4 (2) TRT-PAD-051 (2), TRT-PAD-053 (2)</p>	<p>Remove -S2 ribs. (2nd row*). Replace with -S4 ribs. Remove -S2 ribs. (5th row). Replace with -S3 ribs. Remove -S1 ribs. (6th row). Replace with -S2 ribs. Remove -056 pads (Top R&L). Replace with -053 pads. Two extra -051 pads are provided for the user.</p>
<p>TRTBM6A</p> <p>Height Range: 12" - 13" Trunk Width Range: 10" - 12"</p> <p>Extra Parts: TRT-RIB-M3 (2), TRT-RIB-M4 (2) TRT-PAD-051 (2), TRT-PAD-054 (2) TRT-PAD-057 (2)</p>	<p>Remove -M2 ribs (2nd row*). Replace with -M4 ribs. Remove -M1 ribs (4th row). Replace with -M3 ribs. Remove -056 pads (Top R&L). Replace with -054 pads. Remove -056 pads (Middle R&L). Replace with -057 pads. Two extra -051 pads are provided for the user.</p>
<p>TRTBL6A</p> <p>Height Range: 13" Trunk Width Range: 12" - 14"</p> <p>Extra Parts: TRT-RIB-L4 (2), TRT-RIB-L5 (2) TRT-PAD-051 (2), TRT-PAD-054 (2)</p>	<p>Remove -L3 ribs. (2nd row*). Replace with -L5 ribs. Remove -L3 ribs. (4th row). Replace with -L4 ribs. Remove -L2 ribs. (5th row). Replace with -L3 ribs. Remove -057 pads (Top R&L). Replace with -054 pads. Two extra -051 pads are provided for the user.</p>
<p>TRTBX6A</p> <p>Height Range: 14" Trunk Width Range: 14" - 17"</p> <p>Extra Parts: TRT-RIB-XL4 (2), TRT-RIB-XL5 (2) TRT-PAD-051 (2), TRT-PAD-055 (2) TRT-PAD-061 (2)</p>	<p>Remove -XL3 ribs. (2nd row*). Replace with -XL5 ribs. Remove -XL3 ribs. (4th row). Replace with -XL4 ribs. Remove -XL2 ribs. (5th row). Replace with -XL3 ribs. Remove -058 pads (Top R&L). Replace with -055 pads. Remove -057 pads (Top R&L). Replace with -058 pads. Remove -060 pads (Top R&L). Replace with -061 pads.</p>

* For identification of Tarta parts, please consult "Tarta Hardware Parts" on page 4 of this manual. References to rib replacements start at the top of the Tarta back (first row) and go down the column from there.

Dealer Assistance

During first-time use by the client, it is advised that the dealer or service technician not only assemble the device, but explain the different configurations to the client as well. If needed, the dealer can make final adjustments.

User Testing

It is important that the customer is fully aware of the installation and how to adjust the position of the ribs and vertebrae in order to have the Tarta Original back in the best position for the user.

Have the user test the position of the back:

- Is the placement of the Tarta Original back in an optimal position for the user?
- Can the user safely operate the chair with the placement of the back?

If needed, adjust the Tarta Original back to the best position for the user. Explain to the client the possible problems that could arise with the hardware and how to address them.

Conditions of Use

The Tarta Original back is intended for use as installed by the dealer, in accordance to the installation and instructions in this manual.

- Ensure the foreseen conditions of use are communicated by the dealer or service technician to the user and/or attendant during the first time use.
- If the conditions of use change significantly, please contact your dealer or a qualified service technician to avoid excessive wear and tear or unintended damage.

DANGER

Failure to comply with these warnings could result in serious bodily harm.

Cleaning

The individual parts of the device may be cleaned with a soft, damp cloth.

Do not immerse the device in water.

The pads are machine washable. Do not wash with water warmer than 86°F (30°C).

Dry with a soft, clean cloth.

SAFETY

The **Tarta Original** back should never come into direct contact with the client's skin. A garment or protective material should be worn to avoid skin irritation.

Maintenance

Avoid direct contact with fire. Flames could damage the device and cause injury to the user.

Do not leave the backrest inside the car when exposed to the sun. Excessive temperatures can damage the adhesive applied on the hook-and-loop strap slats.

Avoid contact with sharp and/or pointed objects or instruments that might damage the device and/or the padding.

SAFETY

Periodically check that the mechanical parts that make up the device have not become loose or misaligned.



WARNING

Maximum Weight Capacity: 220 lbs. (100 kg)



© 2022, Stealth Products, LLC

Warranty Information



Home Page



Online User Manual



Stealth Products, LLC · info@stealthproducts.com · www.stealthproducts.com
(800) 965-9229 | (512) 715-9995 | 104 John Kelly Drive, Burnet, TX 78611