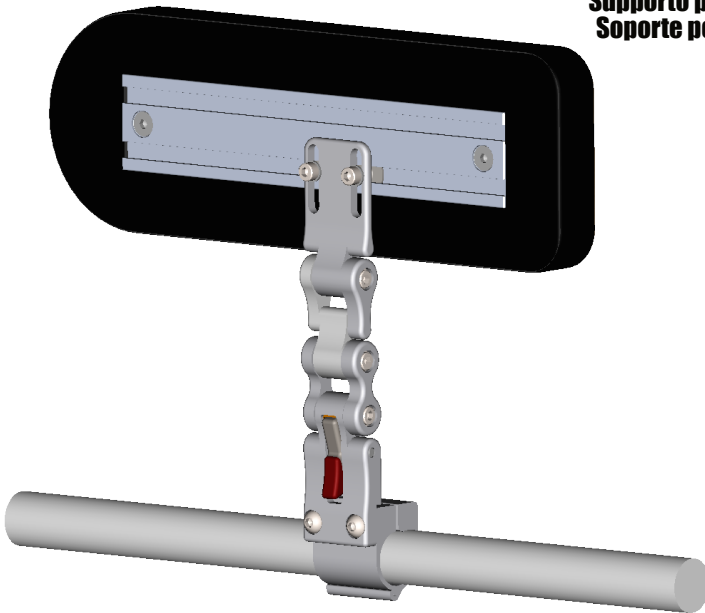


Stealth Products[®]



Pelvic Support (ENG)
Beckenstütze (DE)
Soutien pelvien (FR)
Supporto pelvico (IT)
Soporte pélvico (ES)



UniLink Swing-Away Thigh Support
UniLink Wegswenkbare seitliche Pelottenhalterung
Support de cuisse pivotant UniLink
Supporto per coscia oscillante UniLink
Soporte de muslo abatible UniLink

Owner's Manual - Maintenance Guide
Benutzerhandbuch - Wartungsanleitung
Manuel d'utilisation - Guide d'entretien
Manuale d'uso - Guida alla manutenzione
Manual de usuario - Guía de mantenimiento

Table of Contents

Customer Satisfaction	i
General.....	i
General Information	ii
Warranty.....	ii
Supplier Reference.....	ii
Warning Labels.....	iii
Warning Labels.....	iii
Limited Liability.....	iii
Testing	iii
Design and Function	1-2
Intended Use.....	1
Features.....	1
Operating Laterals	2
Adjusting Adductors	2
Installation	3-6
Standard Cane Mounting.....	3
Standard Track Mounting	4
Pad Mount Installation.....	5
Thigh Pad Installation.....	5
Full-Surface Contact Mount Installation	6
Full-Surface Contact Mount Adjustment.....	6
First Time Use	7
Dealer Assistance	7
User Testing.....	7
Conditions of Use	7
Care and Maintenance.....	8
Safety	8
Cleaning.....	8
Disposal.....	8

Stealth Products is committed to 100% customer satisfaction. Your complete satisfaction is important to us. Please contact us with feedback or suggestions to help us improve the quality and usability of our products.

You may reach us at:



Stealth Products, LLC
104 John Kelly Drive, Burnet, TX 78611



Phone: (512) 715-9995
Fax: (512) 715-9954

Toll Free: (800) 965-9229
Toll Free: (800) 806-1225

info@stealthproducts.com
www.stealthproducts.com

<p>EC REP</p> <p>MDSS GmbH Schiffgraben 41 30175 Hannover Germany</p>	<p>CH REP</p> <p>SODIMED SA Chemin Praz Devant 12 1032 Romanel sur-Lausanne Switzerland</p>	<p>UK Authorized Representative</p> <p>MDSS-UK RP 6 Wilmslow Road, Rusholme Manchester M14 5TP United Kingdom</p>
---	---	---

General

Read and understand all instructions prior to the use of the product. Failure to adhere to instructions and warnings in this document may result in property damage, injury, or death. Product misuse or failure to follow instructions will void the warranty.

Immediately discontinue use if any function is compromised, if parts are missing or loose, or if any component shows signs of excessive wear. Consult with your supplier for repair, adjustment, or replacement.

All persons responsible for fitting, adjustment, and daily use of the devices discussed in these instructions must be familiar with and understand all safety aspects of the devices mentioned. In order for our products to be used successfully, you must read and understand all instructions and warnings, and maintain our products according to our instructions on care and maintenance.

The installation instructions will guide you through this product's options and possibilities. Instructions are written with the expressed intent of use with standard configurations. They also contain important safety and maintenance information, as well as describe possible problems that can arise during use. For further assistance, or more advanced applications, please contact **Stealth Products** at (512) 715-9995 or toll free at (800) 965-9229 or your supplier.

Always keep the operating instructions in a safe place so they may be referenced as necessary. All information, pictures, illustrations, and specifications are based on the product information that was available at the time of printing. Pictures and illustrations shown in these instructions are representative examples and are not intended to be exact depictions of the various parts of the product.

 **CAUTION**

These products are designed to be fitted, applied, and installed exclusively by a healthcare professional trained for these purposes. The fitting, application, and installation by a non-qualified individual could result in serious injury.

Warranty

Our products are designed, manufactured, and produced to the highest of standards. If any defect in material or workmanship is found, **Stealth Products** will repair or replace the product at our discretion. Any implied warranty, including the implied warranties of merchantability and fitness for a particular purpose, shall not extend beyond the duration of this warranty. **Stealth Products** does not warrant damage due to, but not limited to: Misuse, abuse, or misapplication of product, and/or modification of product without written approval from **Stealth Products, LLC**. Any alteration or lack of serial number, where applicable, will automatically void all warranty.

Stealth Products, LLC is liable for replacement parts only. **Stealth Products, LLC** is not liable for any incurred labor costs.

Stealth Products warrants against failure due to defective materials or workmanship:

Covers: 2 years
Hardware: 5 years
Electronics: 3 years

In the event of a product failure covered by our warranty, please follow the procedures outlined below:

Call **Stealth Products** at (512) 715-9995 or toll free at (800) 965-9229.

Request a Return Authorization (RA) form from the Returns Department and follow the documentation instructions.

You can download additional copies of this manual by accessing the Stealth website (www.stlpro.site/stealth-docs) and searching "UniLink Thigh Support" in the search bar at the top of the page.

Supplier Reference

Supplier:	
Telephone:	
Address:	
Purchase Date:	
Model:	

Warning Labels

Warnings are included for the safety of the user, client, operator, and property. Please read and understand what the signal words **DANGER**, **WARNING**, **CAUTION**, **NOTICE**, and **SAFETY** mean, and how they could affect the user, those around the user, and property.



DANGER

Identifies an **imminent** situation which, if not avoided, may result in **severe injury, death, and property damage**.



WARNING

Identifies a **potential** situation which, if not avoided, may result in **severe injury, death, and property damage**.



CAUTION

Identifies a **potential** situation which, if not avoided, may result in **minor to moderate injury and property damage**.

NOTICE

Identifies important information not related to injury, but possible **property damage**.

SAFETY

Indicates steps or instructions for safe practices, reminders of safe procedures, or important safety equipment that may be necessary.

Limited Liability

Stealth Products, LLC accepts no liability for personal injury or damage to property that may arise from the failure of the user or other persons to follow the recommendations, warnings, and instructions in this manual.

Stealth Products does not hold responsibility for final integration of final assembly of product to end user. **Stealth Products** is not liable for user death or injury.

Testing

Initial setup and driving should be done in an open area free of obstacles until the user is fully capable of driving safely.

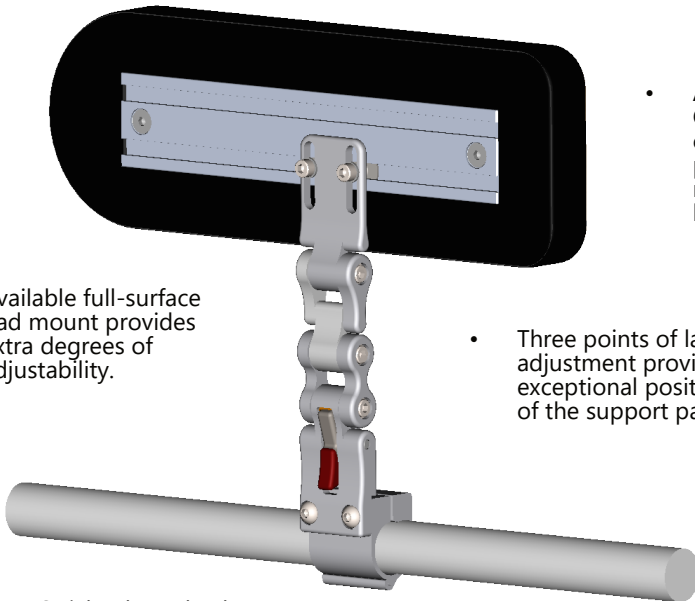
Intended Use

Lateral Stability is essential to balancing the body in relation to gravity. The long-term goals of improved posture are to provide pressure relief, minimize orthopedic consequences, normalize muscle tone, reduce active muscle requirements, and increase the overall function of the user.

UniLink™ Thigh Support Solutions are highly adjustable lateral supports that increase a user's stability and balance while in the chair, serve as tactile reminders of positioning, and correct lateral thigh flexion. They provide a precise, durable means of maintaining the user in a functional position, preventing further postural decay, and diminishing the need for repetitive positioning of the user throughout their day. Swing-away thigh supports flip down out of the way, but remain attached to the chair, reducing the chances of them being misplaced, left behind, or lost.

Features

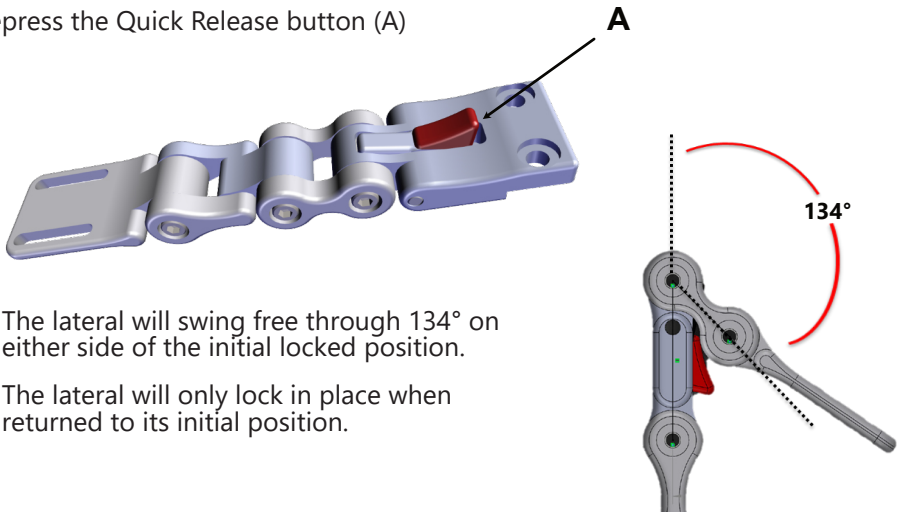
- Pads available in various sizes to provide the exact support required.
- Available Coolcore covers on the pads help to reduce heat buildup.
- Available full-surface pad mount provides extra degrees of adjustability.
- Three points of lateral adjustment provide exceptional positioning of the support pad.
- Quick release latch facilitates easier transfers to and from the chair.
- Various mounting options provide a secure connection to the seat tubes of the chair.



Operating Laterals

To operate the laterals:

1. Depress the Quick Release button (A)



2. The lateral will swing free through 134° on either side of the initial locked position.
3. The lateral will only lock in place when returned to its initial position.

Adjusting Adductors

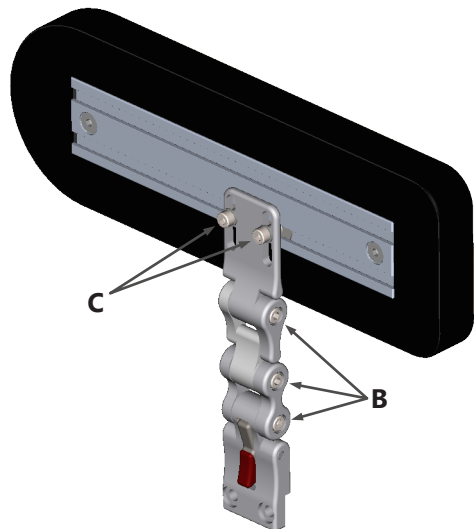
Standard laterals offer three points of adjustment:

To adjust links (B):

1. Slightly loosen the M5 x 0.8 x 25mm Socket Head Screws (B).
2. Set desired angles and tighten screws with a 4mm Hex Wrench.

To adjust pad position:

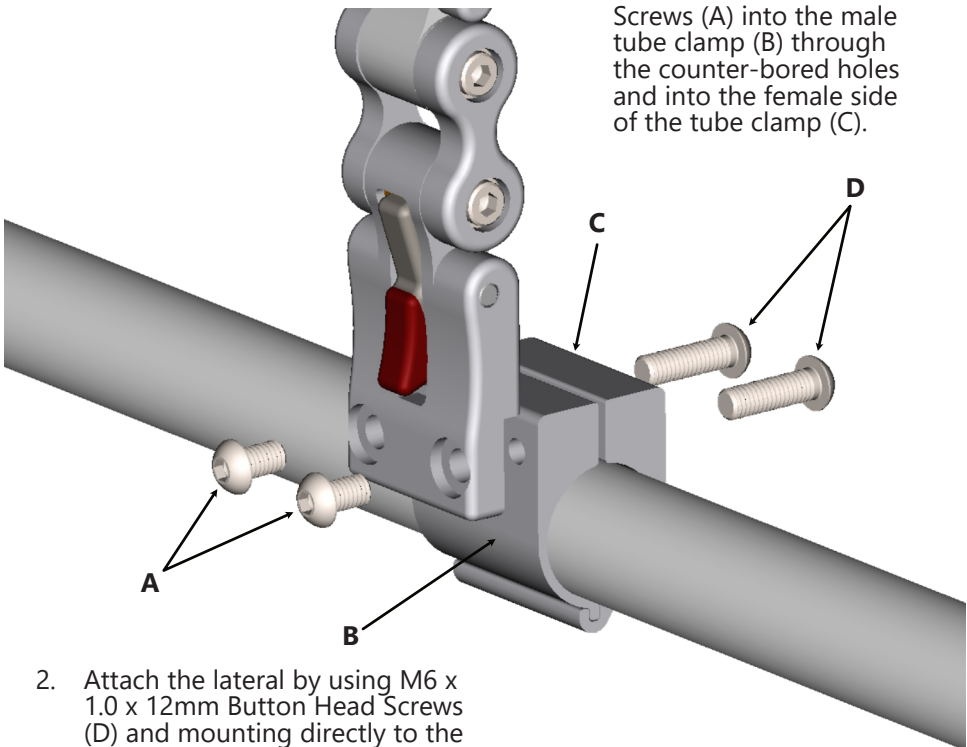
1. Slightly loosen the two M5 x 0.8 x 10mm Socket Head Screws (C) and slide the pad to the desired position.
2. Tighten screws to secure the pad in the new position. Do not over-tighten.



Standard Cane Mounting

To install and adjust standard cane mounting:

1. Insert the M6 x 1.0 x 20mm Button Head Screws (A) into the male tube clamp (B) through the counter-bored holes and into the female side of the tube clamp (C).



2. Attach the lateral by using M6 x 1.0 x 12mm Button Head Screws (D) and mounting directly to the female side of the cane clamp. Tighten with a 4mm Hex Wrench.
3. To adjust the lateral on the cane, loosen the M6 x 1.0 x 20mm Button Head Screws (A) and slide the clamp to the desired position.

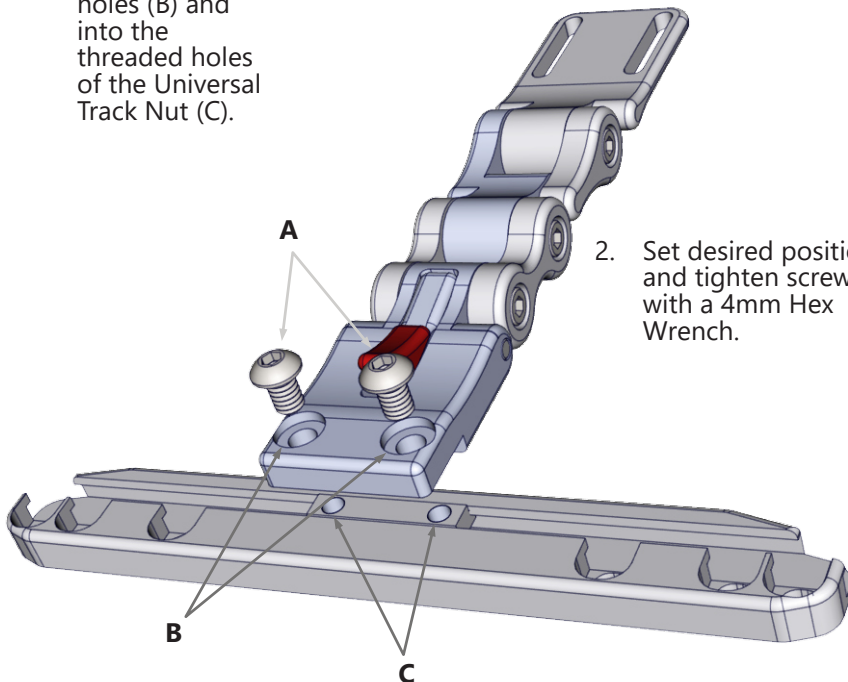
WARNING

Installing the thigh guides incorrectly may cause damage to the hardware and/or injury to the user.

Standard Track Mounting

To install and adjust standard track mounting:

1. Insert the M6 x 1.0 x 12mm Button Head Screws (A) through the counter-bored holes (B) and into the threaded holes of the Universal Track Nut (C).



2. Set desired position and tighten screws with a 4mm Hex Wrench.

3. To adjust the lateral on the track, loosen the screws and slide it to the new position. Tighten the screws.

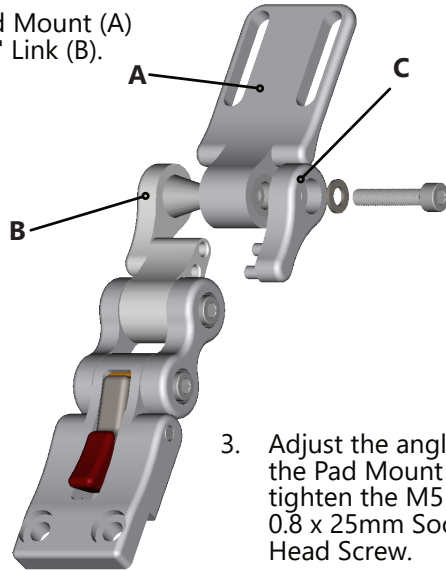
CAUTION

The use of improper tools may cause damage to the device. Inadequate tightening can cause components to become loose and cause discomfort for the user or premature failure.

Pad Mount Installation

1. Place the conical socket of the Pad Mount (A) onto the conical mount of the 1.5" Link (B).

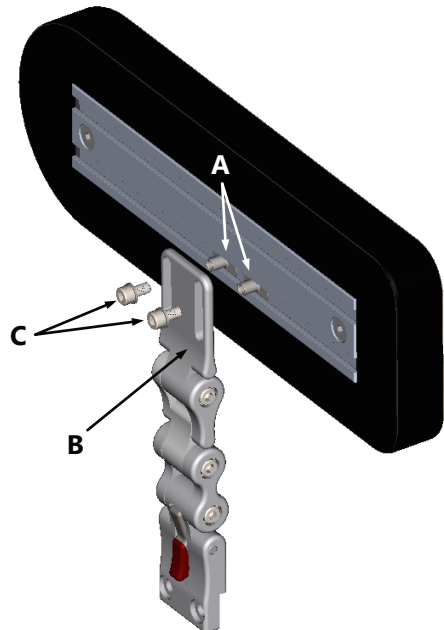
2. Place the 1.5" Coupler (C) onto the 1.5" Link (B) as shown and secure it with an M5 Flat Washer and M5 x 0.8 x 25mm Socket Head Screw.



3. Adjust the angle of the Pad Mount and tighten the M5 x 0.8 x 25mm Socket Head Screw.

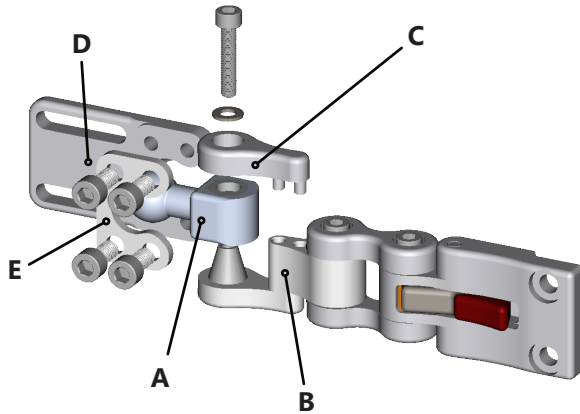
Thigh Pad Installation

1. Slide the Slab Nuts (A) into the desired location in the pad track.
2. Align the slots in the Pad Mount (B) with the threaded sleeves of the Slab Nuts (A)
3. Insert the M5 x 0.8 x 10mm Socket Head Screws into the threaded sleeves of the Slab Nuts (A).
4. Align the pad in the desired position and location and tighten the screws to secure it in place.



Full-Surface Contact Mount Installation*

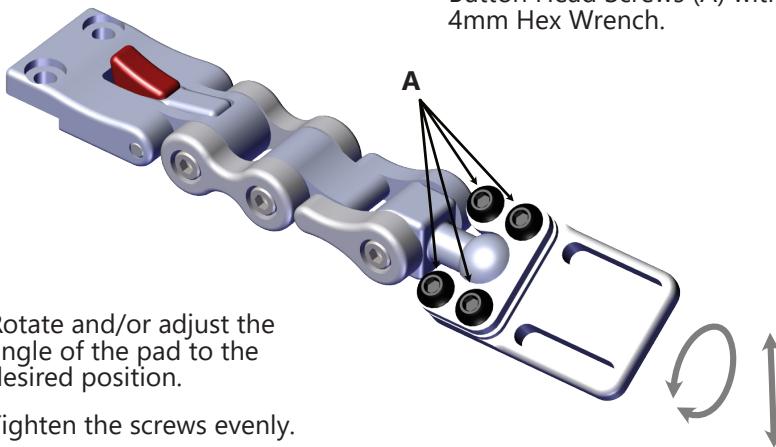
1. Place the conical socket of the 17mm Ball Link of the 17mm Ball Link (A) onto the conical mount of the 1.5" Link (B).
2. Place the 1.5" Coupler (C) onto the 1.5" Link (B) as shown below and secure it with an M5 Flat Washer and M5 x 0.8 x 25mm Socket Head Screw.



* The Full-Surface Contact option will not fit UTS25100-L/R. The UTS2510F-L/R or UTS2530F-L/R must be used.

Full-Surface Contact Mount Adjustment

1. Loosen the M6 x 1.0 x 12mm Button Head Screws (A) with a 4mm Hex Wrench.



2. Rotate and/or adjust the angle of the pad to the desired position.
3. Tighten the screws evenly.

CAUTION

Any connection must always be secured with all delivered screws.
Use only the screws provided in the package.

Dealer Assistance

During first-time use by the user, it is advised that the dealer or service technician not only assembles the product, but also explains the configuration of user positioning to the user (i.e., the user and/or the attendant). If needed, the dealer can make final adjustments.



WARNING

The **UniLink Thigh Support Lateral** should only be prescribed and fitted by a qualified health care professional.

User Testing

It is important that the customer is fully aware of the installation of the **UniLink Thigh Support Lateral**, how to use it, and how it can be adjusted to fit the client comfortably. As a dealer, proceed as follows:

- Explain and show the customer how you have executed the installation and explain the function.
- Have the user test the position of the **UniLink Thigh Support Lateral**.
- Is the hardware in the proper position for the client?
- Can all controls be operated safely and with minimal effort?
- If needed, make any adjustments to the positioning.
- Explain possible problems to the customer and how to address them.

Conditions of Use

The **UniLink Thigh Support Lateral** is intended for use as installed by the dealer, in accordance to the installation instructions in this manual.

Ensure the foreseen conditions of use are communicated by the dealer or service technician to the user and/or attendant during the first-time use.

If usage conditions change significantly, please contact your dealer or a qualified service technician to avoid unintended damage.



DANGER

Failure to comply with these warnings could result in serious bodily harm.

Safety

- Periodically check the hardware for loose screws or worn parts.
- Check the lateral pad for any foam breakdown and/or metal coming through the foam. This could be potentially dangerous to the client.

SAFETY

Repair or replace parts as needed.

CAUTION

Always check all mounting hardware, making sure each fastener is properly tightened before using the lateral.

WARNING

Monitor the foam for breakdown and replace as needed.
Do not use thigh guide if foam is damaged or deteriorated.

Cleaning

- To wash the cover, remove the cover from the thigh guide.
- Machine wash the cover in cold water, delicate cycle, and drip dry.
- Do not allow the foam to get wet.
- Do not use the thigh guide without the cover in place.

WARNING

DO NOT use bleach. **DO NOT** iron.
Do not wash or dry in temperatures in excess of 176°F (80°C).

CAUTION

When removing the thigh guide, take care not to puncture, tear, or otherwise damage the fabric or foam.

Disposal

For products that contain batteries or electronics, return the product to qualified personnel for disposal. All components of the product should be disposed of properly in accordance with respective local and national environmental regulations.

Kundenzufriedenheit	i
Allgemein	i
Allgemeine Informationen	ii
Garantie	ii
Lieferantenreferenz	ii
Warnschilder	iii
Warnschilder	iii
Beschränkte Haftung	iii
Testen	iii
Design und Funktion	1-2
Verwendungszweck	1
Merkmale	1
Bedienung der Laterals	2
Anpassen der Adduktoren	2
Installation	3-6
Standardrohrmontage	3
Standardschienenmontage	4
Installation der Kissenhalterung	5
Installation des Oberschenkelkissens	5
Vollflächige Kontaktmontage	6
Anpassung der Vollflächenkontakthalterung	6
Erstmalige Verwendung	7
Händlerunterstützung	7
Benutzertests	7
Nutzungsbedingungen	7
Pflege und Wartung	8
Sicherheit	8
Reinigung	8
Verfügung	8

Stealth Products verpflichtet sich zu 100 % Kundenzufriedenheit. Ihre vollste Zufriedenheit ist uns wichtig. Bitte kontaktieren Sie uns mit Feedback oder Vorschlägen, die uns helfen, die Qualität und Benutzerfreundlichkeit unserer Produkte zu verbessern.

Sie erreichen uns unter:



Stealth Products, LLC
104 John Kelly Drive, Burnet, TX 78611

Telefon: (512) 715-9995

Zollfrei: (800) 965-9229

Fax: (512) 715-9954

Zollfrei Fax: (800) 806-1225

info@stealthproducts.com

www.stealthproducts.com



<p>EC REP</p> <p>MDSS GmbH Schiffgraben 41 30175 Hannover Germany</p>	<p>CH REP</p> <p>SODIMED SA Chemin Praz Devant 12 1032 Romanel sur-Lausanne Switzerland</p>	<p>Bevollmächtigter Vertreter in Großbritannien</p> <p>MDSS-UK RP 6 Wilmslow Road, Rusholme Manchester M14 5TP United Kingdom</p>
---	---	--

Allgemein

Lesen und verstehen Sie alle Anweisungen vor der Verwendung des Produkts. Die Nichtbeachtung der Anweisungen und Warnungen in diesem Dokument kann zu Sachschäden, Verletzungen oder zum Tod führen. Der Missbrauch des Produkts oder die Nichtbeachtung der Anweisungen führt zum Erlöschen der Garantie.

Stellen Sie die Verwendung sofort ein, wenn eine Funktion beeinträchtigt ist, wenn Teile fehlen oder locker sind oder wenn eine Komponente Anzeichen von übermäßigem Verschleiß aufweist. Wenden Sie sich bezüglich Reparatur, Einstellung oder Austausch an Ihren Lieferanten.

Alle Personen, die für die Montage, Einstellung und den täglichen Gebrauch der in dieser Anleitung beschriebenen Geräte verantwortlich sind, müssen alle Sicherheitsaspekte der genannten Geräte kennen und verstehen. Damit unsere Produkte erfolgreich verwendet werden können, müssen Sie alle Anweisungen und Warnungen lesen und verstehen und unsere Produkte gemäß unseren Pflege- und Wartungsanweisungen warten.

Die Installationsanleitung führt Sie durch die Optionen und Möglichkeiten dieses Produkts.

Anweisungen wurden mit der ausdrücklichen Absicht geschrieben, sie mit Standardkonfigurationen zu verwenden. Sie enthalten auch wichtige Sicherheits- und Wartungsinformationen und beschreiben mögliche Probleme, die während des Gebrauchs auftreten können. Für weitere Unterstützung oder erweiterte Anwendungen wenden Sie sich bitte an Ihren Lieferanten oder an **Stealth Products** unter (512) 715-9995 oder gebührenfrei unter (800) 965-9229.

Bewahren Sie die Bedienungsanleitung immer an einem sicheren Ort auf, damit Sie bei Bedarf nachschlagen können.

Alle Informationen, Bilder, Illustrationen und Spezifikationen basieren auf den Produktinformationen, die zum Zeitpunkt der Drucklegung verfügbar waren. Die in dieser Anleitung gezeigten Bilder und Illustrationen sind repräsentative Beispiele und sollen keine genauen Darstellungen der verschiedenen Teile des Produkts sein.

Allgemeine Informationen



VORSICHT

Diese Produkte sind so konzipiert, dass sie ausschließlich von medizinischem Fachpersonal angepasst, angewendet und installiert werden, das für diese Zwecke ausgebildet wurde. Die Montage, Anwendung und Installation durch eine nicht qualifizierte Person kann zu schweren Verletzungen führen.

Garantie

Unsere Produkte werden nach den höchsten Standards entworfen, hergestellt und produziert. Wenn ein Material- oder Verarbeitungsfehler festgestellt wird, wird Stealth Products das Produkt nach unserem Ermessen reparieren oder ersetzen. Jegliche stillschweigende Garantie, einschließlich der stillschweigenden Garantien der Marktgängigkeit und Eignung für einen bestimmten Zweck, erstreckt sich nicht über die Dauer dieser Garantie hinaus. **Stealth Products** garantiert keine Schäden aufgrund von, aber nicht beschränkt auf: Missbrauch, Missbrauch oder falsche Anwendung des Produkts und/oder Modifikation des Produkts ohne schriftliche Genehmigung von **Stealth Products, LLC**. Jegliche Änderung oder das Fehlen der Seriennummer führt gegebenenfalls automatisch zum Erlöschen der Garantie.

Stealth Products, LLC haftet nur für Ersatzteile. **Stealth Products, LLC** haftet nicht für anfallende Arbeitskosten.

Stealth Products garantiert gegen Ausfälle aufgrund von Material- oder Verarbeitungsfehlern:

Bezüge: 2 Jahre

Hardware: 5 Jahre

Elektronik: 3 Jahre

Im Falle eines Produktfehlers, der von unserer Garantie abgedeckt wird, gehen Sie bitte wie folgt vor:

Rufen Sie **Stealth Products** unter (512) 715-9995 oder gebührenfrei unter (800) 965-9229 an.

Fordern Sie ein Rücksendegenehmigungsformular (RA) bei der Rücksendeabteilung an und befolgen Sie die Dokumentationsanweisungen.

Sie können zusätzliche Exemplare dieses Handbuchs herunterladen, indem Sie auf die Stealth-Website (<https://stlpro.site/stealth-docs>) zugreifen und in der Suchleiste oben auf der Seite nach „UniLink Thigh Support“ suchen.

Lieferantenreferenz

Lieferant:	
Telefon:	
Adresse:	
Kaufdatum:	
Modell:	

Warnschilder

Warnhinweise dienen der Sicherheit des Benutzers, des Kunden, des Bedieners und des Eigentums. Bitte lesen und verstehen Sie, was die Signalwörter **GEFAHR**, **WARNUNG**, **VORSICHT**, **HINWEIS** und **SICHERHEIT** bedeuten und wie sie sich auf den Benutzer, die Umgebung des Benutzers und das Eigentum auswirken können.



GEFAHR

Kennzeichnet eine unmittelbar bevorstehende Situation, die, wenn sie nicht vermieden wird, zu schweren Verletzungen, Tod und Sachschäden führen kann.



WARNUNG

Kennzeichnet eine potenzielle Situation, die, wenn sie nicht vermieden wird, kann zu schweren Verletzungen, Tod und Sachschäden führen.



VORSICHT

Kennzeichnet eine potenzielle Situation, die, wenn sie nicht vermieden wird, zu leichten bis mittelschweren Verletzungen und Sachschäden führen kann.

HINWEIS

Kennzeichnet wichtige Informationen, die sich nicht auf Verletzungen beziehen, sondern auf mögliche Sachschäden.

SICHERHEIT

Weist auf Schritte oder Anweisungen für sichere Praktiken, Erinnerungen an sichere Verfahren oder wichtige Sicherheitsausrüstungen hin, die möglicherweise erforderlich sind.

Beschränkte Haftung

Stealth Products, LLC übernimmt keine Haftung für Personen- oder Sachschäden, die dadurch entstehen können, dass der Benutzer oder andere Personen die Empfehlungen, Warnungen und Anweisungen in diesem Handbuch nicht befolgen.

Stealth Products übernimmt keine Verantwortung für die endgültige Integration der Endmontage des Produkts für den Endbenutzer. **Stealth Products** haftet nicht für Tod oder Verletzung des Benutzers.

Testen

Die Ersteinrichtung und das Fahren sollten in einem offenen Bereich ohne Hindernisse erfolgen, bis der Benutzer in der Lage ist, sicher zu fahren.

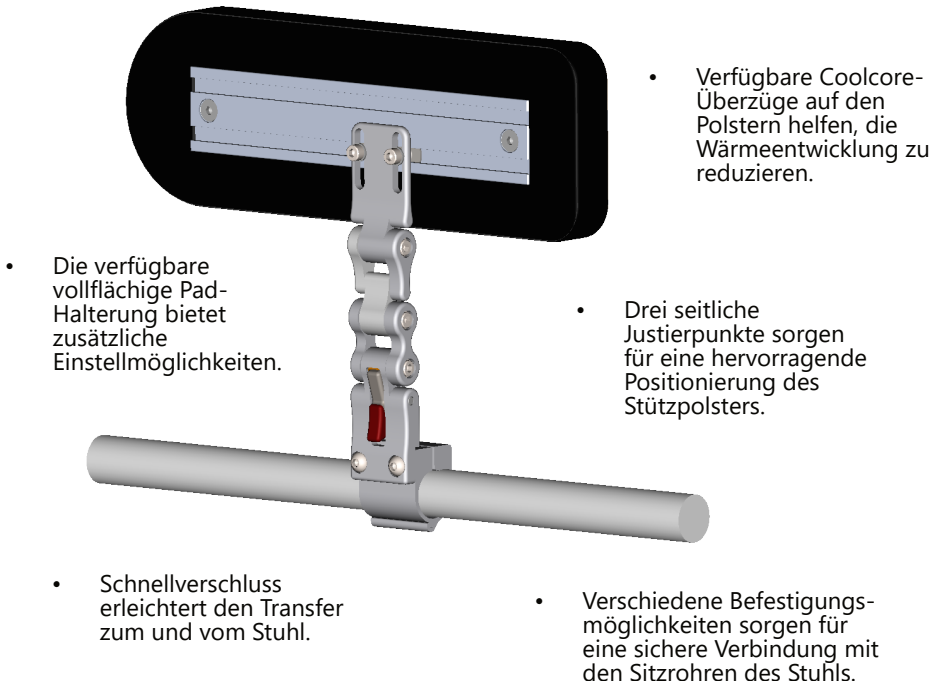
Verwendungszweck

Seitliche Stabilität ist wesentlich, um den Körper in Bezug auf die Schwerkraft auszugleichen. Die langfristigen Ziele einer verbesserten Körperhaltung sind Druckentlastung, Minimierung orthopädischer Folgen, Normalisierung des Muskeltonus, Verringerung der aktiven Muskelanforderungen und Steigerung der Gesamtfunktion des Benutzers.

UniLink™ Thigh Support Solutions sind hochgradig einstellbare seitliche Stützen, die die Stabilität und das Gleichgewicht eines Benutzers im Stuhl erhöhen, als taktile Erinnerungen an die Positionierung dienen und die seitliche Oberschenkelbeugung korrigieren. Sie bieten ein präzises, dauerhaftes Mittel, um den Benutzer in einer funktionellen Position zu halten, einen weiteren Haltungsverlust zu verhindern und die Notwendigkeit einer wiederholten Positionierung des Benutzers im Laufe des Tages zu verringern. Schwenkbare Oberschenkelstützen klappen nach unten aus dem Weg, bleiben aber am Stuhl befestigt, wodurch die Wahrscheinlichkeit verringert wird, dass sie verlegt, zurückgelassen oder verloren werden.

Merkmale

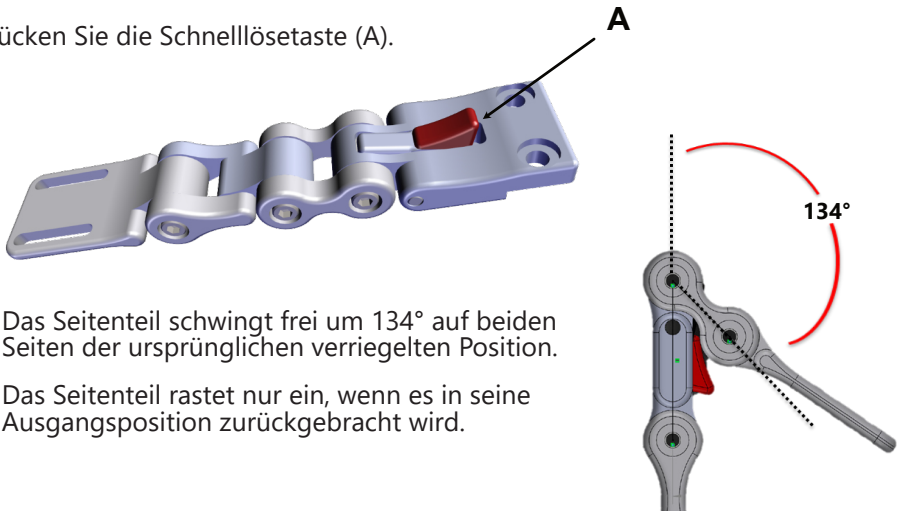
- Polster in verschiedenen Größen erhältlich, um genau die erforderliche Unterstützung zu bieten.



Bedienung der Laterals

So bedienen Sie die Laterals:

1. Drücken Sie die Schnelllösetaste (A).



2. Das Seitenteil schwingt frei um 134° auf beiden Seiten der ursprünglichen verriegelten Position.
3. Das Seitenteil rastet nur ein, wenn es in seine Ausgangsposition zurückgebracht wird.

Anpassen der Adduktoren

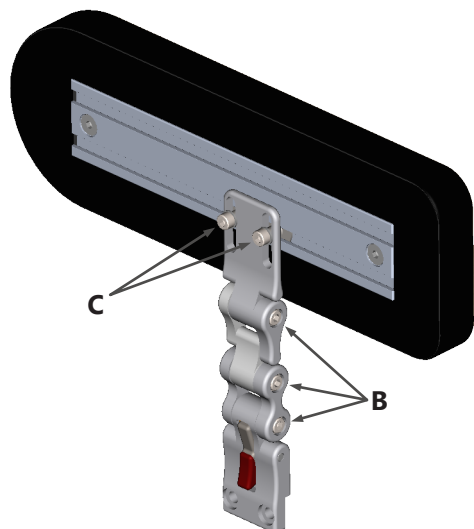
Standard-Seitenlatten bieten drei Einstellpunkte:

Anpassen der Verbindungen (B):

1. Lösen Sie leicht die M5 x 0,8 x 25 mm Innensechskantschrauben (B).
2. Stellen Sie die gewünschten Winkel ein und ziehen Sie die Schrauben mit einem 4mm Sechskantschlüssel fest.

So passen Sie die Pad-Position an:

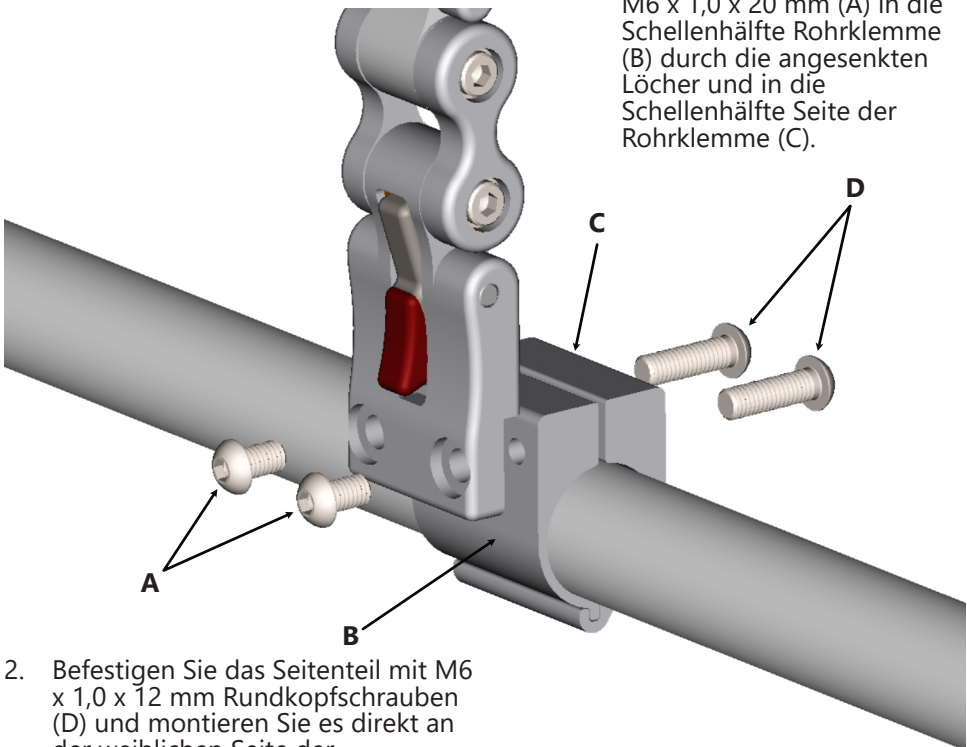
1. Lösen Sie leicht die beiden M5 x 0,8 x 10mm Innensechskantschrauben (C) und schieben Sie das Polster in die gewünschte Position.
2. Ziehen Sie die Schrauben fest, um das Pad in der neuen Position zu sichern. Nicht überdrehen.



Standardrohrmontage

So installieren und justieren Sie die Standardrohrhalterung:

1. Stecken Sie die Halbrundkopfschrauben M6 x 1,0 x 20 mm (A) in die Schellenhälfte Rohrklammer (B) durch die angesenkten Löcher und in die Schellenhälfte Seite der Rohrklammer (C).



2. Befestigen Sie das Seitenteil mit M6 x 1,0 x 12 mm Rundkopfschrauben (D) und montieren Sie es direkt an der weiblichen Seite der Stockklammer. Mit einem 4mm Sechskantschlüssel festziehen.

3. Lösen Sie zum Einstellen des Seitenteils am Gehstock die M6 x 1,0 x 20 mm Rundkopfschrauben (A) und schieben Sie die Klemme in die gewünschte Position.



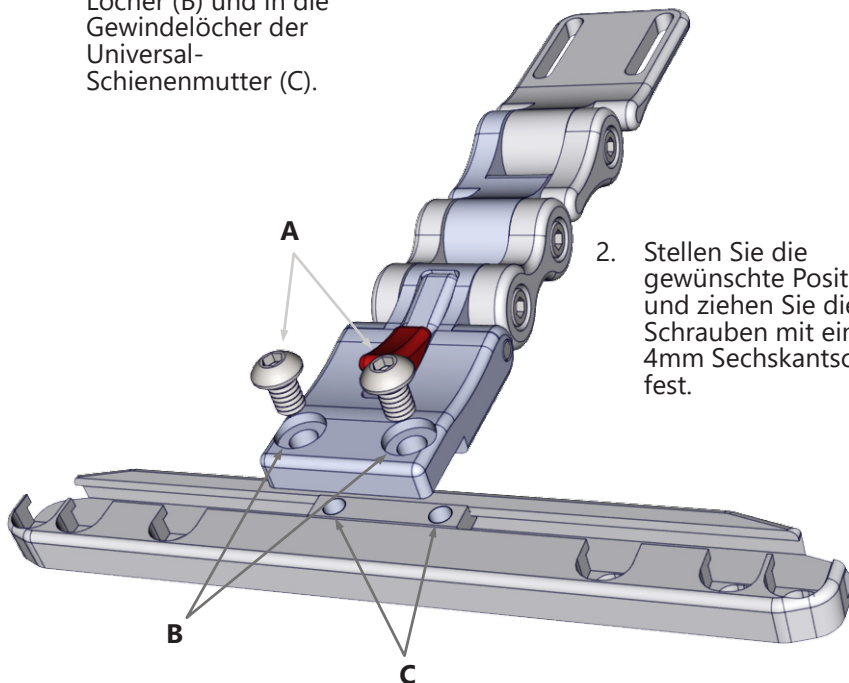
WARNUNG

Eine falsche Installation der Oberschenkelführungen kann zu Schäden an der Hardware und/oder Verletzungen des Benutzers führen.

Standardschienenmontage

So montieren und justieren Sie die Standard-Schienenmontage:

1. Stecken Sie die Halbrundkopfschrauben M6 x 1,0 x 12 mm (A) durch die angesenkten Löcher (B) und in die Gewindelöcher der Universal-Schienenmutter (C).



2. Stellen Sie die gewünschte Position ein und ziehen Sie die Schrauben mit einem 4mm Sechskantschlüssel fest.

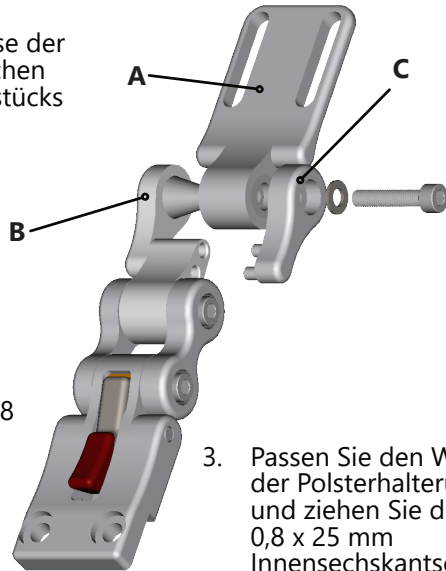
3. Um das Seitenteil auf der Schiene einzustellen, lösen Sie die Schrauben und schieben Sie es in die neue Position. Schrauben festziehen.

VORSICHT

Die Verwendung ungeeigneter Werkzeuge kann zu Schäden am Gerät führen. Unzureichendes Anziehen kann dazu führen, dass sich Komponenten lösen und Unbehagen für den Benutzer oder vorzeitiges Versagen verursachen.

Installation der Kissenhalterung

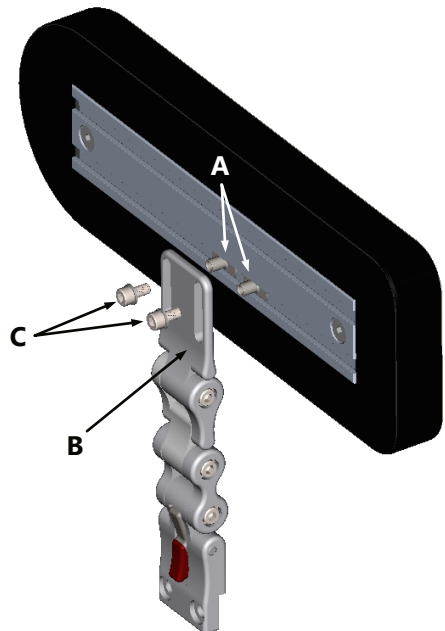
1. Platzieren Sie die konische Buchse der Pad-Halterung (A) auf der konischen Halterung des 1,5" Verbindungsstücks (B).
2. Platzieren Sie den 1,5" Koppler (C) wie abgebildet auf dem 1,5" Verbindungsstück (B) und befestigen Sie ihn mit einer M5-Unterlegscheibe und einer M5 x 0,8 x 25mm Innensechskantschraube.



3. Passen Sie den Winkel der Polsterhalterung an und ziehen Sie die M5 x 0,8 x 25 mm Innensechskantschraube fest.

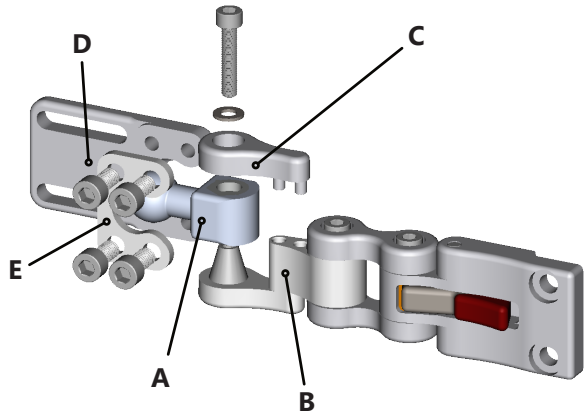
Installation des Oberschenkelkissens

1. Schieben Sie die Plattenmuttern (A) an die gewünschte Stelle in der Belagschiene.
2. Richten Sie die Schlitze in der Pad-Halterung (B) mit den Gewindehülsen der Plattenmuttern (A) aus.
3. Führen Sie die Innensechskantschrauben M5 x 0,8 x 10 mm in die Gewindehülsen der Plattenmuttern (A) ein.
4. Richten Sie das Pad an der gewünschten Position und Stelle aus und ziehen Sie die Schrauben fest, um es zu befestigen. Richten Sie das Pad an der gewünschten Position und Stelle aus und ziehen Sie die Schrauben fest, um es zu befestigen.



Vollflächige Kontaktmontage Installation*

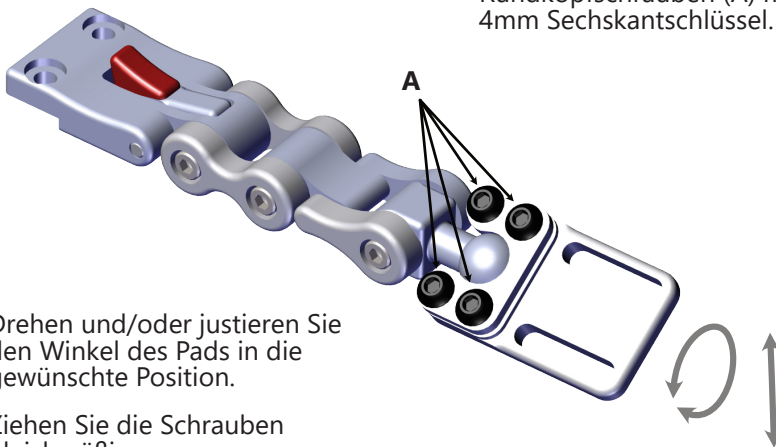
1. Setzen Sie die konische Fassung des 17-mm-Kugelgelenks des 17-mm-Kugelgelenks (A) auf die konische Halterung des 1,5" Gelenks (B).
2. Setzen Sie die 1,5" Kupplung (C) wie unten gezeigt auf das 1,5" Verbindungsstück (B) und sichern Sie sie mit einer M5-Unterlegscheibe und einer M5 x 0,8 x 25-mm-Innensechskantschraube.



* Die Vollflächenkontakt-Option passt nicht zum UTS25100-L/R. Es muss der UTS2510F-L/R oder UTS2530F-L/R verwendet werden.

Vollflächige Kontaktaufnahmeeinstellung

1. Lösen Sie die M6 x 1,0 x 12 mm Rundkopfschrauben (A) mit einem 4mm Sechskantschlüssel.



2. Drehen und/oder justieren Sie den Winkel des Pads in die gewünschte Position.
3. Ziehen Sie die Schrauben gleichmäßig an.

VORSICHT

Jede Verbindung muss immer mit allen mitgelieferten Schrauben gesichert werden. Verwenden Sie nur die im Lieferumfang enthaltenen Schrauben.

Händlerunterstützung

Bei der erstmaligen Verwendung durch den Benutzer wird empfohlen, dass der Händler oder Servicetechniker das Produkt nicht nur zusammenbaut, sondern dem Benutzer (d. h. dem Benutzer und/oder der Begleitperson) auch die Konfiguration der Benutzerpositionierung erklärt. Bei Bedarf kann der Händler letzte Anpassungen vornehmen.



WARNUNG

Die **UniLink Thigh Support Lateral** sollte nur von einem Fachmann verschrieben und angebracht werden. Angestellter im Gesundheitswesen.

Benutzertests

Es ist wichtig, dass der Kunde vollständig über die Installation der seitlichen **UniLink Thigh Support Lateral** informiert ist, wie sie verwendet wird und wie sie bequem an den Kunden angepasst werden kann. Als Händler gehen Sie wie folgt vor:

- Erklären und zeigen Sie dem Kunden, wie Sie die Installation durchgeführt haben und erklären Sie die Funktion.
- Lassen Sie den Benutzer die Position der seitlichen UniLink-Oberschenkelstütze testen.
- Befindet sich die Hardware in der richtigen Position für den Kunden?
- Lassen sich alle Bedienelemente sicher und mit minimalem Kraftaufwand bedienen?
- Nehmen Sie bei Bedarf Anpassungen an der Positionierung vor.
- Erklären Sie dem Kunden mögliche Probleme und deren Lösung.

Nutzungsbedingungen

Die seitliche **UniLink Thigh Support Lateral** ist für den vom Händler installierten Zustand gemäß den Installationsanweisungen in diesem Handbuch vorgesehen.

Stellen Sie sicher, dass die vorgesehenen Nutzungsbedingungen dem Benutzer und/oder der Begleitperson bei der erstmaligen Verwendung vom Händler oder Servicetechniker mitgeteilt werden.

Wenn sich die Nutzungsbedingungen erheblich ändern, wenden Sie sich bitte an Ihren Händler oder einen qualifizierten Servicetechniker, um unbeabsichtigte Schäden zu vermeiden.



ACHTUNG

Die Nichtbeachtung dieser Warnhinweise kann zu schweren Körperverletzungen führen..

Sicherheit

- Überprüfen Sie die Hardware regelmäßig auf lose Schrauben oder verschlissene Teile.
- Überprüfen Sie das seitliche Polster auf Schaumstoffschäden und/oder Metall, das durch den Schaumstoff gelangt. Dies könnte potenziell gefährlich für den Client sein.

SICHERHEIT

Reparieren oder ersetzen Sie Teile nach Bedarf.

VORSICHT

Überprüfen Sie immer alle Befestigungsteile und stellen Sie sicher, dass jedes Befestigungselement ordnungsgemäß angezogen ist, bevor Sie die Laterale verwenden.

WARNUNG

Überwachen Sie den Schaumstoff auf Beschädigungen und ersetzen Sie ihn bei Bedarf. Verwenden Sie die Oberschenkelführung nicht, wenn der Schaumstoff beschädigt oder abgenutzt ist.

Reinigung

- Um den Bezug zu waschen, entfernen Sie den Bezug von der Oberschenkelführung.
- Den Bezug in kaltem Wasser im Schonwaschgang in der Maschine waschen und abtropfen lassen.
- • Lassen Sie den Schaumstoff nicht nass werden.
- • Verwenden Sie die Oberschenkelführung nicht ohne angebrachten Bezug.

WARNUNG

Benutzen Sie keine Bleiche. Kein Bügeln.
Nicht bei Temperaturen über 80 °C (176 °F)
waschen oder trocknen.

VORSICHT

Achten Sie beim Entfernen der Oberschenkelführung darauf, den Stoff oder Schaumstoff nicht zu durchstechen, zu zerreißen oder anderweitig zu beschädigen.

Verfügung

Geben Sie Produkte, die Batterien oder Elektronik enthalten, zur Entsorgung an qualifiziertes Personal zurück. Alle Bestandteile des Produkts sind gemäß den jeweiligen örtlichen und nationalen Umweltvorschriften ordnungsgemäß zu entsorgen.

Satisfaction du client	i
Général.....	i
Informations générales	ii
Garantie	ii
Référence du fournisseur	ii
Étiquettes d'avertissement	iii
Étiquettes d'avertissement	iii
Responsabilité limitée	iii
Experimentation	iii
Conception et fonction	1-2
Utilisation prévue	1
Fonctionnalités.....	1
Fonctionnement des latéraux.....	2
Réglage des adducteurs	2
Installation	3-6
Montage standard de la canne.....	3
Montage sur rail standard	4
Installation du support de coussin	5
Installation du coussin de cuisse.....	5
Installation du support de contact sur toute la surface	6
Réglage du support de contact sur toute la surface	6
Première utilisation	7
Assistance concessionnaire	7
Test utilisateur	7
Conditions d'utilisation.....	7
Entretien et maintenance	8
Sécurité	8
Nettoyage	8
Disposition.....	8

Stealth Products s'engage à satisfaire à 100% ses clients. Votre satisfaction totale est importante pour nous. Veuillez nous contacter avec des commentaires ou des suggestions pour nous aider à améliorer la qualité et la convivialité de nos produits.

Vous pouvez nous rejoindre au :



Stealth Products, LLC

104 John Kelly Drive, Burnet, TX 78611

Téléphoner: (512) 715-9995

Fax: (512) 715-9954

Gratuit: (800) 965-9229

Gratuit: (800) 806-1225

info@stealthproducts.com

www.stealthproducts.com



<p>EC REP</p> <p>MDSS GmbH Schiffgraben 41 30175 Hannover Germany</p>	<p>CH REP</p> <p>SODIMED SA Chemin Praz Devant 12 1032 Romanel sur-Lausanne Switzerland</p>	<p>Représentant autorisé au Royaume-Uni</p> <p>MDSS-UK RP 6 Wilmslow Road, Rusholme Manchester M14 5TP United Kingdom</p>
---	---	--

Général

Lisez et comprenez toutes les instructions avant d'utiliser le produit. Le non-respect des instructions et des avertissements contenus dans ce document peut entraîner des dommages matériels, des blessures ou la mort. Une mauvaise utilisation du produit ou le non-respect des instructions annulera la garantie.

Arrêtez immédiatement l'utilisation si une fonction est compromise, si des pièces sont manquantes ou desserrées, ou si un composant montre des signes d'usure excessive. Consultez votre fournisseur pour la réparation, le réglage ou le remplacement.

Toutes les personnes responsables du montage, du réglage et de l'utilisation quotidienne des appareils mentionnés dans ces instructions doivent connaître et comprendre tous les aspects de sécurité des appareils mentionnés. Pour que nos produits soient utilisés avec succès, vous devez lire et comprendre toutes les instructions et tous les avertissements, et entretenir nos produits conformément à nos instructions d'entretien et de maintenance.

Les instructions d'installation vous guideront à travers les options et les possibilités de ce produit.

Les instructions sont écrites avec l'intention exprimée d'utilisation avec des configurations standard. Ils contiennent également des informations importantes sur la sécurité et l'entretien, ainsi que la description des éventuels problèmes pouvant survenir lors de l'utilisation. Pour une assistance supplémentaire ou des applications plus avancées, veuillez contacter **Stealth Products** au (512) 715-9995 ou sans frais au (800) 965-9229 ou votre fournisseur.

Conservez toujours les instructions d'utilisation dans un endroit sûr afin qu'elles puissent être consultées si nécessaire.

Toutes les informations, images, illustrations et spécifications sont basées sur les informations sur le produit qui étaient disponibles au moment de l'impression. Les images et illustrations présentées dans ces instructions sont des exemples représentatifs et ne sont pas destinées à être des représentations exactes des différentes parties du produit.

ATTENTION

Ces produits sont conçus pour être ajustés, appliqués et installés exclusivement par un professionnel de la santé formé à ces fins. Le montage, l'application et l'installation par une personne non qualifiée peuvent entraîner des blessures graves.

Garantie

Nos produits sont conçus, fabriqués et produits selon les normes les plus élevées. Si un défaut de matériau ou de fabrication est constaté, **Stealth Products** réparera ou remplacera le produit à sa discrétion. Toute garantie implicite, y compris les garanties implicites de qualité marchande et d'adéquation à un usage particulier, ne s'étendra pas au-delà de la durée de cette garantie. **Stealth Products** ne garantit pas les dommages dus, mais sans s'y limiter : Mauvaise utilisation, abus ou mauvaise application du produit et/ou modification du produit sans l'approbation écrite de **Stealth Products, LLC**. Toute altération ou absence de numéro de série, le cas échéant, annulera automatiquement toute garantie.

Stealth Products, LLC n'est responsable que des pièces de rechange. **Stealth Products, LLC** n'est pas responsable des frais de main-d'œuvre encourus.

Stealth Products garantit contre les pannes dues à des défauts de matériaux ou de fabrication :

Couvertures : 2 ans

Matériel : 5 ans

Electronique : 3 ans

En cas de défaillance d'un produit couvert par notre garantie, veuillez suivre les procédures décrites ci-dessous :

Appelez **Stealth Products** au (512) 715-9995 ou sans frais au (800) 965-9229.

Demandez un formulaire d'autorisation de retour (RA) au service des retours et suivez les instructions de documentation.

Vous pouvez télécharger des copies supplémentaires de ce manuel en accédant au site Web de Stealth (www.stlpro.site/stealth-docs) et en recherchant « UniLink Thigh Support » dans la barre de recherche en haut de la page.

Référence du fournisseur

Fournisseur:	
Téléphone:	
Adresse:	
Date d'Achat:	
Maquette:	

Étiquettes d'Avertissement

Des avertissements sont inclus pour la sécurité de l'utilisateur, du client, de l'opérateur et de la propriété. Veuillez lire et comprendre ce que signifient les mots-indicateurs **DANGER**, **AVERTISSEMENT**, **ATTENTION**, **AVIS** et **SÉCURITÉ**, et comment ils pourraient affecter l'utilisateur, les personnes qui l'entourent et la propriété.



DANGER

Identifie une situation imminente qui, si elle n'est pas évitée, peut entraîner des blessures graves, la mort et des dommages matériels.



AVERTISSEMENT

Identifie une situation potentielle qui, si elle n'est pas évitée, peut entraîner des blessures graves, la mort et des dommages matériels.



ATTENTION

Identifie une situation potentielle qui, si elle n'est pas évitée, peut entraîner des blessures légères à modérées et des dommages matériels.

AVIS

Identifie les informations importantes non liées à la blessure, mais dégâts matériels possibles.

SÉCURITÉ

Indique des étapes ou des instructions pour des pratiques sûres, des rappels de sécurité procédures ou équipements de sécurité importants qui peuvent être nécessaires.

Responsabilité Limitée

Stealth Products, LLC décline toute responsabilité en cas de blessures corporelles ou de dommages matériels pouvant résulter du non-respect par l'utilisateur ou d'autres personnes des recommandations, avertissements et instructions de ce manuel.

Stealth Products n'est pas responsable de l'intégration finale de l'assemblage final du produit à l'utilisateur final. **Stealth Products** n'est pas responsable du décès ou des blessures de l'utilisateur.

Expérimentation

La configuration initiale et la conduite doivent être effectuées dans une zone dégagée sans obstacles jusqu'à ce que l'utilisateur soit pleinement capable de conduire en toute sécurité.

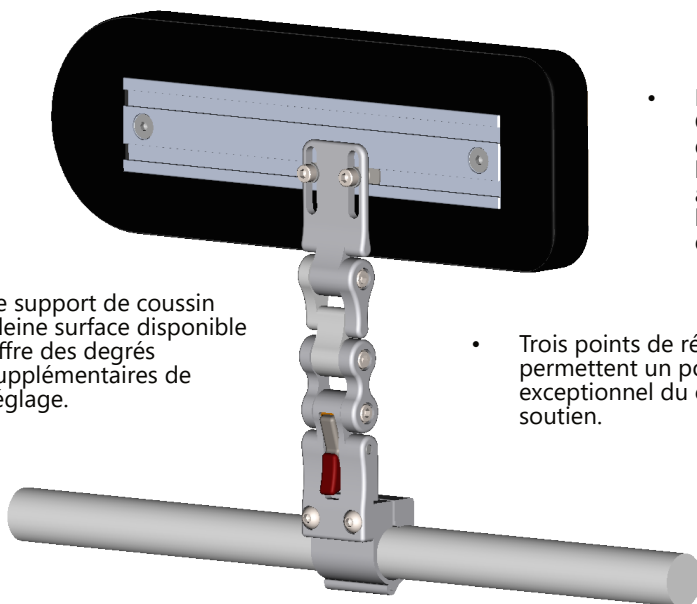
Utilisation prévue

La stabilité latérale est essentielle pour équilibrer le corps par rapport à la gravité. Les objectifs à long terme d'une posture améliorée sont de fournir un soulagement de la pression, de minimiser les conséquences orthopédiques, de normaliser le tonus musculaire, de réduire les besoins musculaires actifs et d'augmenter la fonction globale de l'utilisateur.

UniLink™ Thigh Support Solutions sont des supports latéraux hautement réglables qui augmentent la stabilité et l'équilibre de l'utilisateur lorsqu'il est dans le fauteuil, servent de rappels tactiles de positionnement et corrigent la flexion latérale de la cuisse. Ils fournissent un moyen précis et durable de maintenir l'utilisateur dans une position fonctionnelle, d'empêcher une détérioration posturale supplémentaire et de réduire le besoin de positionnement répétitif de l'utilisateur tout au long de la journée. Les supports de cuisse escamotables se replient, mais restent attachés à la chaise, ce qui réduit les risques qu'ils soient égarés, laissés derrière ou perdus.

Fonctionnalités

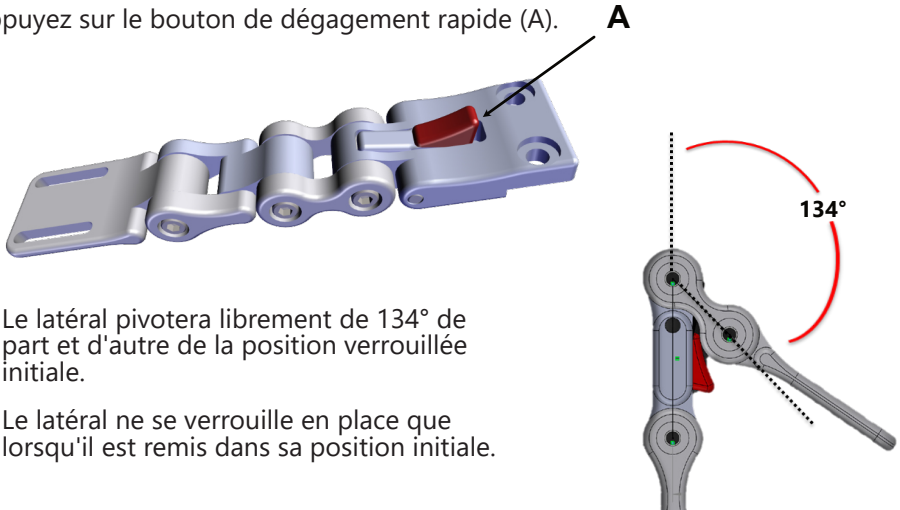
- Coussinets disponibles en différentes tailles pour fournir le soutien exact requis.
- Les housses Coolcore disponibles sur les coussinets aident à réduire l'accumulation de chaleur.
- Le support de coussin pleine surface disponible offre des degrés supplémentaires de réglage.
- Trois points de réglage latéral permettent un positionnement exceptionnel du coussinet de soutien.
- Le loquet à dégagement rapide facilite les transferts vers et depuis le fauteuil.
- Diverses options de montage offrent une connexion sécurisée aux tubes de siège de la chaise.



Fonctionnement des latéraux

Pour faire fonctionner les latéraux :

1. Appuyez sur le bouton de dégagement rapide (A).



2. Le latéral pivotera librement de 134° de part et d'autre de la position verrouillée initiale.
3. Le latéral ne se verrouille en place que lorsqu'il est remis dans sa position initiale.

Réglage des adducteurs

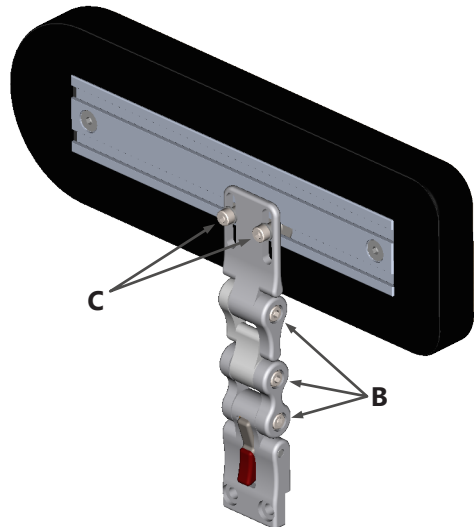
Les latéraux standard offrent trois points de réglage :

Pour régler les maillons (B) :

1. Desserrez légèrement les vis à tête creuse M5 x 0,8 x 25 mm (B).
2. Réglez les angles souhaités et serrez les vis avec une clé hexagonale 4mm.

Pour ajuster la position du pad :

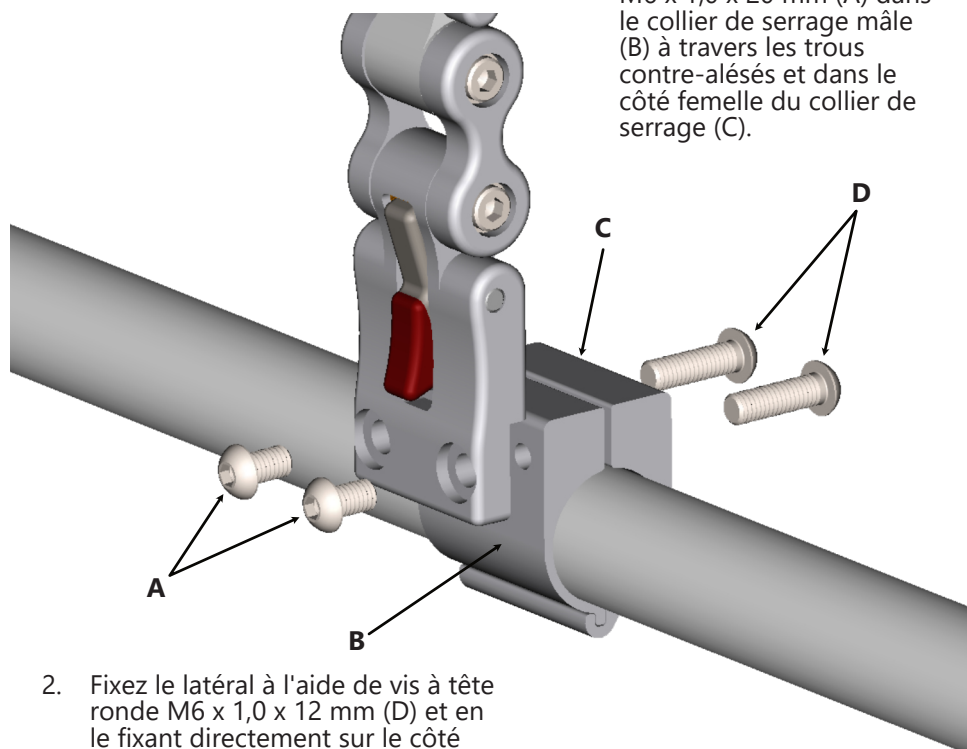
1. Desserrez légèrement les deux vis à tête creuse M5 (C) et faites glisser le coussin jusqu'à la position souhaitée.
2. Serrez les vis pour fixer le tampon dans la nouvelle position. Ne pas trop serrer.



Montage standard de la canne

Pour installer et ajuster le montage de canne standard :

1. Insérez les vis à tête ronde M6 x 1,0 x 20 mm (A) dans le collier de serrage mâle (B) à travers les trous contre-alésés et dans le côté femelle du collier de serrage (C).



2. Fixez le latéral à l'aide de vis à tête ronde M6 x 1,0 x 12 mm (D) et en le fixant directement sur le côté femelle du serre-canne. Serrez avec une clé hexagonale 4mm.

3. Pour ajuster le côté sur la canne, desserrez les vis à tête ronde M6 x 1,0 x 20 mm (A) et faites glisser la pince jusqu'à la position souhaitée.



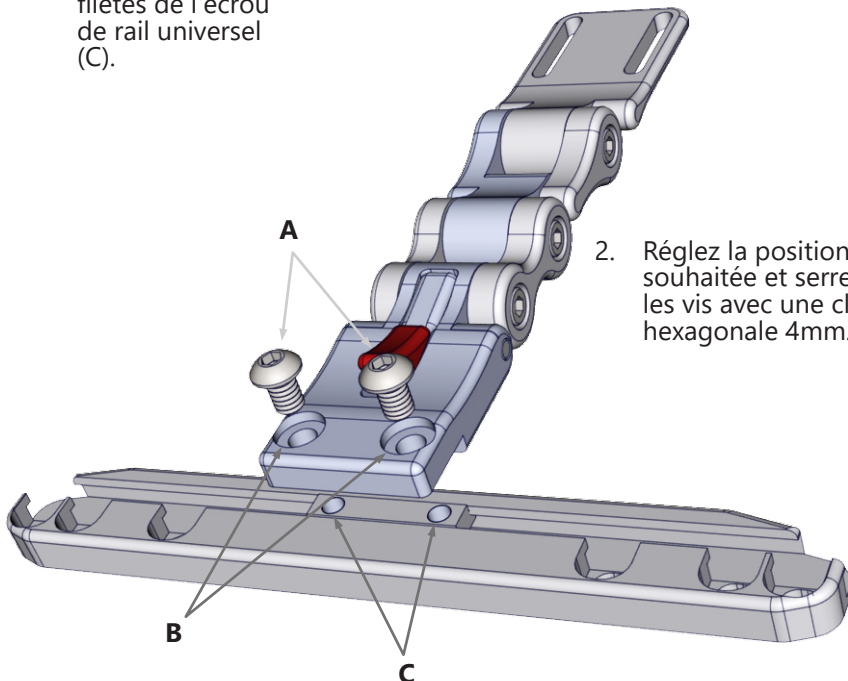
AVERTISSEMENT

Une installation incorrecte des guides de cuisse peut endommager le matériel et/ou blesser l'utilisateur.

Montage sur rail standard

Pour installer et ajuster le montage sur rail standard :

1. Insérez les vis à tête ronde M6 x 1,0 x 12 mm (A) dans les trous contre-alésés (B) et dans les trous filetés de l'écrou de rail universel (C).



2. Réglez la position souhaitée et serrez les vis avec une clé hexagonale 4mm.

3. Pour régler le latéral sur le rail, desserrez les vis et faites-le glisser dans la nouvelle position. Serrer les vis.

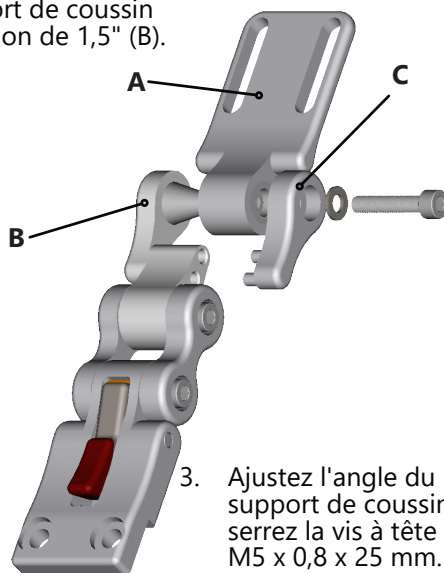
ATTENTION

L'utilisation d'outils inappropriés peut endommager l'appareil. Un serrage inadéquat peut entraîner le desserrage des composants et entraîner une gêne pour l'utilisateur ou une défaillance prématurée.

Installation du support de coussin

1. Placez la douille conique du support de coussin (A) sur le support conique du maillon de 1,5" (B).

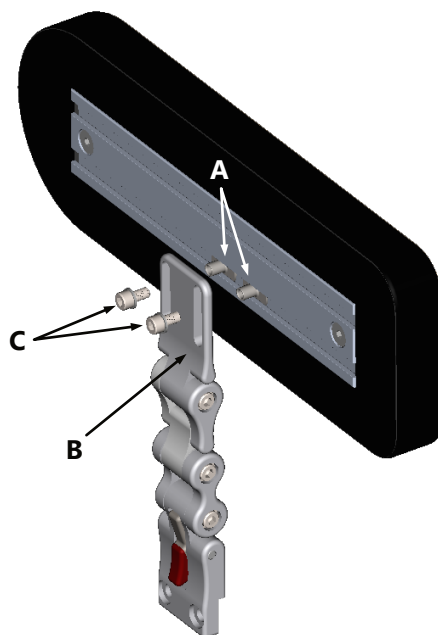
2. Placez le coupleur de 1,5" (C) sur le raccord de 1,5" (B) comme illustré et fixez-le avec une rondelle plate M5 et une vis à tête creuse M5 x 0,8 x 25 mm.



3. Ajustez l'angle du support de coussinet et serrez la vis à tête creuse M5 x 0,8 x 25 mm.

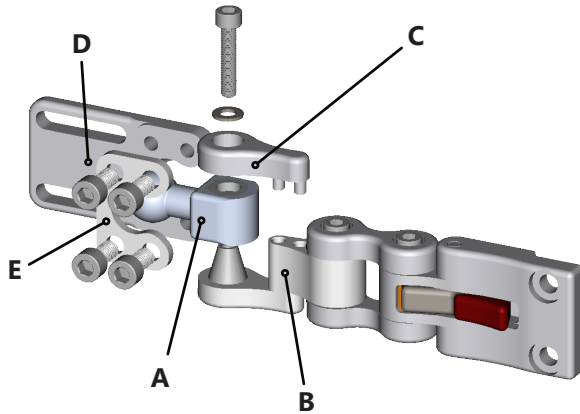
Installation du coussin de cuisse

1. Faites glisser les écrous de dalle (A) à l'emplacement souhaité dans le rail de patin.
2. Alignez les fentes du support de patin (B) avec les manchons filetés des écrous de dalle (A).
3. Insérez les vis à tête creuse M5 x 0,8 x 10 mm dans les manchons filetés des écrous de dalle (A).
4. Alignez le tampon dans la position et l'emplacement souhaités et serrez les vis pour le fixer en place.



Installation du support de contact sur toute la surface*

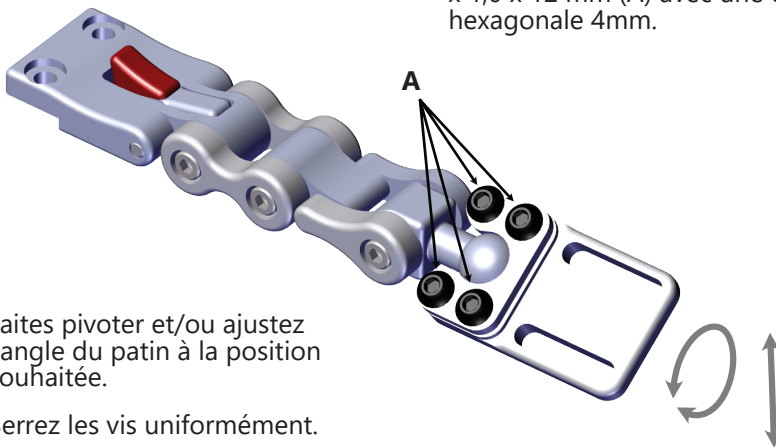
1. Placez la douille conique de la rotule de 17 mm de la rotule de 17 mm (A) sur le support conique de la rotule de 1,5" (B).
2. Placez le coupleur 1,5" (C) sur le lien 1,5" (B) comme indiqué ci-dessous et fixez-le avec une rondelle plate M5 et une vis à tête creuse M5 x 0,8 x 25 mm.



* L'option de contact pleine surface ne convient pas à l'UTS25100-L/R. L'UTS2510F-L/R ou l'UTS2530F-L/R doit être utilisé.

Réglage du support de contact sur toute la surface

1. Desserrez les vis à tête ronde M6 x 1,0 x 12 mm (A) avec une clé hexagonale 4mm.



2. Faites pivoter et/ou ajustez l'angle du patin à la position souhaitée.
3. Serrez les vis uniformément.

ATTENTION

Toute connexion doit toujours être sécurisée avec toutes les vis fournies. Utilisez uniquement les vis fournies dans l'emballage.

Assistance concessionnaire

Lors de la première utilisation par l'utilisateur, il est conseillé que le revendeur ou le technicien de maintenance non seulement assemble le produit, mais explique également la configuration du positionnement de l'utilisateur à l'utilisateur (c'est-à-dire l'utilisateur et/ou l'accompagnateur). Si nécessaire, le concessionnaire peut effectuer les derniers ajustements.



AVERTISSEMENT

Le **UniLink Thigh Support** ne doit être prescrit et installé par un professionnel qualifié professionnel de santé.

Test utilisateur

Il est important que le client soit pleinement conscient de l'installation du **UniLink Thigh Support Lateral**, de son utilisation et de la manière dont il peut être ajusté pour s'adapter confortablement au client. En tant que revendeur, procédez comme suit :

- Expliquez et montrez au client comment vous avez exécuté l'installation et expliquez la fonction.
- Demandez à l'utilisateur de tester la position du UniLink Thigh Support Lateral.
- Le matériel est-il dans la bonne position pour le client ?
- Toutes les commandes peuvent-elles être actionnées en toute sécurité et avec un minimum d'effort ?
- Si nécessaire, apportez des modifications au positionnement.
- Expliquer les problèmes possibles au client et comment les résoudre.

Conditions d'utilisation

Le **UniLink Thigh Support Lateral** est destiné à être utilisé tel qu'installé par le revendeur, conformément aux instructions d'installation de ce manuel.

Assurez-vous que les conditions d'utilisation prévues sont communiquées par le revendeur ou le technicien de service à l'utilisateur et/ou au préposé lors de la première utilisation.

Si les conditions d'utilisation changent de manière significative, veuillez contacter votre revendeur ou un technicien de service qualifié pour éviter tout dommage involontaire.



DANGER

Non-respect de ces avertissements
pourrait entraîner des lésions corporelles graves.

Sécurité

- Vérifiez périodiquement la quincaillerie à la recherche de vis desserrées ou de pièces usées.
- Vérifiez le rembourrage latéral pour toute panne de mousse et/ou métal traversant la mousse. Cela pourrait être potentiellement dangereux pour le client.

SÉCURITÉ

Réparez ou remplacez les pièces au besoin.

ATTENTION

Vérifiez toujours tout le matériel de montage, en vous assurant que chaque fixation est correctement serré avant d'utiliser le latéral.

AVERTISSEMENT

Surveillez la mousse pour détecter toute panne et remplacez-la au besoin. Ne pas utiliser le guide de cuisse si la mousse est endommagée ou détériorée.

Nettoyage

- Pour laver la housse, retirez la housse du guide-cuisse.
- Laver la housse à la machine à l'eau froide, cycle délicat et égoutter.
- Ne laissez pas la mousse se mouiller.
- N'utilisez pas le guide de cuisse sans le couvercle en place.

AVERTISSEMENT

NE PAS utiliser d'eau de Javel. **Ne pas** repasser.
Ne pas laver ou sécher à des températures supérieures à 80 °C (176 °F).

ATTENTION

Lors du retrait du guide de cuisse, veillez à ne pas perforer, déchirer ou endommager le tissu ou la mousse.

Disposition

Pour les produits contenant des piles ou des composants électroniques, renvoyez le produit à un personnel qualifié pour élimination. Tous les composants du produit doivent être éliminés correctement conformément aux réglementations environnementales locales et nationales respectives.

Soddisfazione del cliente	i
Generale.....	i
Informazioni generali	ii
Garanzia.....	ii
Riferimento fornitore.....	ii
Etichette di avvertimento.....	iii
Etichette di avvertimento.....	iii
Responsabilità limitata.....	iii
Test.....	iii
Design e funzione	1-2
Uso previsto	1
Caratteristiche	1
Azionare i laterali.....	2
Regolazione degli adduttori	2
Installazione.....	3-6
Montaggio standard della canna.....	3
Montaggio su binario standard.....	4
Installazione del supporto del cuscino	5
Installazione del cuscinetto per la coscia.....	5
Installazione del supporto a contatto su tutta la superficie	6
Regolazione del supporto del contatto su tutta la superficie	6
Primo utilizzo	7
Assistenza Concessionaria.....	7
Test utente	7
Condizioni d'uso.....	7
Cura e manutenzione.....	8
Sicurezza.....	8
Pulizia.....	8
Disposizione.....	8

Stealth Products si impegna a soddisfare al 100% la soddisfazione del cliente. La tua completa soddisfazione è importante per noi. Vi preghiamo di contattarci con feedback o suggerimenti per aiutarci a migliorare la qualità e l'usabilità dei nostri prodotti.

Puoi raggiungerci a:



Stealth Products, LLC
104 John Kelly Drive, Burnet, TX 78611

Telephono: (512) 715-9995
Fax: (512) 715-9954

Numero Verde: (800) 965-9229
Numero Verde: (800) 806-1225

info@stealthproducts.com
www.stealthproducts.com



<p>EC REP</p> <p>MDSS GmbH Schiffgraben 41 30175 Hannover Germany</p>	<p>CH REP</p> <p>SODIMED SA Chemin Praz Devant 12 1032 Romanel sur-Lausanne Switzerland</p>	<p>Rappresentante autorizzato per il Regno Unito</p> <p>MDSS-UK RP 6 Wilmslow Road, Rusholme Manchester M14 5TP United Kingdom</p>
---	---	---

Generale

Leggere e comprendere tutte le istruzioni prima di utilizzare il prodotto. La mancata osservanza delle istruzioni e delle avvertenze contenute in questo documento può causare danni alla proprietà, lesioni o morte. L'uso improprio del prodotto o il mancato rispetto delle istruzioni invalideranno la garanzia.

Interrompere immediatamente l'uso se una qualsiasi funzione è compromessa, se le parti sono mancanti o allentate, o se qualche componente mostra segni di usura eccessiva. Consultare il proprio fornitore per riparazioni, regolazioni o sostituzioni.

Tutte le persone responsabili del montaggio, della regolazione e dell'uso quotidiano dei dispositivi discussi in queste istruzioni devono conoscere e comprendere tutti gli aspetti di sicurezza dei dispositivi menzionati. Affinché i nostri prodotti possano essere utilizzati con successo, è necessario leggere e comprendere tutte le istruzioni e le avvertenze e mantenere i nostri prodotti secondo le nostre istruzioni sulla cura e la manutenzione.

Le istruzioni di installazione ti guideranno attraverso le opzioni e le possibilità di questo prodotto.

Le istruzioni sono scritte con l'espresso intento di utilizzo con configurazioni standard. Contengono inoltre importanti informazioni sulla sicurezza e la manutenzione, oltre a descrivere i possibili problemi che possono sorgere durante l'uso. Per ulteriore assistenza o applicazioni più avanzate, contattare **Stealth Products** al numero (512) 715-9995 o il numero verde (800) 965-9229 o il proprio fornitore.

Conservare sempre le istruzioni per l'uso in un luogo sicuro in modo che possano essere consultate se necessario.

Tutte le informazioni, le immagini, le illustrazioni e le specifiche si basano sulle informazioni sul prodotto disponibili al momento della stampa. Le immagini e le illustrazioni mostrate in queste istruzioni sono esempi rappresentativi e non intendono essere rappresentazioni esatte delle varie parti del prodotto.

ATTENZIONE

Questi prodotti sono progettati per essere montati, applicati e installati esclusivamente da personale sanitario addestrato a tali scopi. Il montaggio, l'applicazione e l'installazione da parte di una persona non qualificata possono causare lesioni gravi.

Garanzia

I nostri prodotti sono progettati, fabbricati e prodotti secondo i più alti standard. Se viene rilevato un difetto di materiale o di lavorazione, **Stealth Products** riparerà o sostituirà il prodotto a nostra discrezione. Qualsiasi garanzia implicita, comprese le garanzie implicite di commerciabilità e idoneità per uno scopo particolare, non si estenderà oltre la durata della presente garanzia. **Stealth Products** non garantisce danni dovuti a, ma non limitato a: uso improprio, abuso o applicazione errata del prodotto e/o modifica del prodotto senza l'approvazione scritta di **Stealth Products, LLC**. Qualsiasi alterazione o mancanza del numero di serie, ove applicabile, invaliderà automaticamente ogni garanzia.

Stealth Products, LLC è responsabile solo per le parti di ricambio. **Stealth Products, LLC** non è responsabile per eventuali costi di manodopera sostenuti.

Stealth Products garantisce contro guasti dovuti a materiali o manodopera difettosi:

Copertine: 2 anni

Hardware: 5 anni

Elettronica: 3 anni

In caso di guasto del prodotto coperto dalla nostra garanzia, seguire le procedure descritte di seguito:

Chiama **Stealth Products** al numero (512) 715-9995 o al numero verde (800) 965-9229.

Richiedi un modulo di Autorizzazione al Reso (RA) dal Reparto Resi e segui le istruzioni della documentazione.

È possibile scaricare copie aggiuntive di questo manuale accedendo al sito Web Stealth (www.stlpro.site/stealth-docs) e cercando "UniLink Thigh Support" nella barra di ricerca nella parte superiore della pagina.

Riferimento fornitore

Fornitore:	
Telefono:	
Indirizzo:	
Data di acquisto:	
Modello:	

Etichette di avvertimento

Sono incluse avvertenze per la sicurezza dell'utente, del cliente, dell'operatore e della proprietà. Leggere e comprendere cosa significano le parole di segnalazione **PERICOLO**, **AVVERTENZA**, **ATTENZIONE**, **AVVISO** e **SICUREZZA** e in che modo potrebbero influire sull'utente, sulle persone intorno all'utente e sulla proprietà.



PERICOLO

Identifica una situazione imminente che, se non evitata, può causare lesioni gravi, morte e danni alla proprietà.



AVVERTENZA

Identifica una situazione potenziale che, se non evitata, può causare lesioni gravi, morte e danni alla proprietà.



ATTENZIONE

Identifica una situazione potenziale che, se non evitata, può causare lesioni da lievi a moderate e danni alla proprietà.

AVVISO

Identifica informazioni importanti non correlate a lesioni, ma possibili danni materiali.

SICUREZZA

Indica passaggi o istruzioni per pratiche sicure, promemoria di sicurezza procedure o importanti dispositivi di sicurezza che potrebbero essere necessari.

Responsabilità Limitata

Stealth Products, LLC non si assume alcuna responsabilità per lesioni personali o danni alla proprietà che potrebbero derivare dal mancato rispetto da parte dell'utente o di altre persone delle raccomandazioni, avvertenze e istruzioni in questo manuale.

Stealth Products non si assume alcuna responsabilità per l'integrazione finale dell'assemblaggio finale del prodotto all'utente finale. **Stealth Products** non è responsabile per morte o lesioni dell'utente.

Test

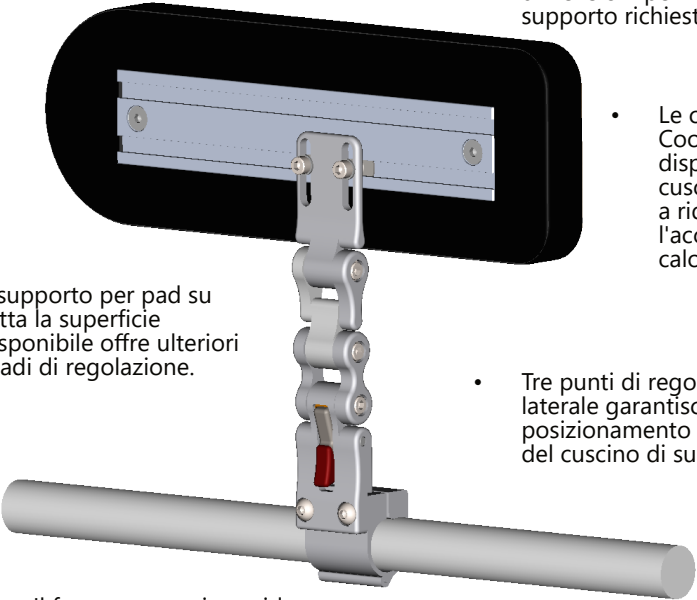
La configurazione iniziale e la guida devono essere eseguite in un'area aperta priva di ostacoli fino a quando l'utente non è completamente in grado di guidare in sicurezza.

Uso previsto

La stabilità laterale è essenziale per equilibrare il corpo in relazione alla gravità. Gli obiettivi a lungo termine di una migliore postura sono fornire sollievo dalla pressione, ridurre al minimo le conseguenze ortopediche, normalizzare il tono muscolare, ridurre il fabbisogno muscolare attivo e aumentare la funzione complessiva dell'utente.

UniLink Thigh Support Solutions sono supporti laterali altamente regolabili che aumentano la stabilità e l'equilibrio dell'utente mentre si trova sulla sedia, servono come promemoria tattili del posizionamento e correggono la flessione laterale della coscia. Forniscono un mezzo preciso e duraturo per mantenere l'utente in una posizione funzionale, prevenendo un ulteriore decadimento posturale e diminuendo la necessità di un posizionamento ripetitivo dell'utente durante la giornata. I supporti per le cosce oscillanti si ribaltano verso il basso, ma rimangono attaccati alla sedia, riducendo le possibilità che vengano smarriti, lasciati indietro o persi.

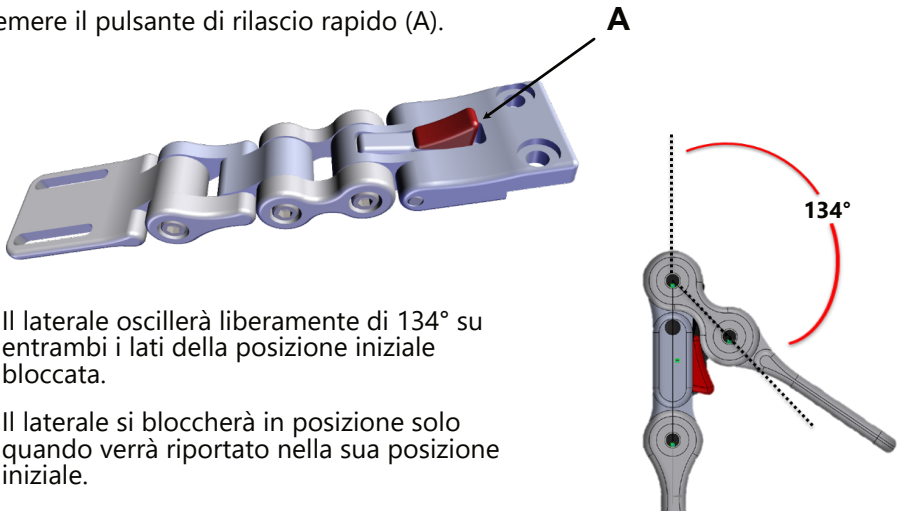
Features

- 
- Cuscinetti disponibili in varie dimensioni per fornire l'esatto supporto richiesto.
 - Le coperture Coolcore disponibili sui cuscinetti aiutano a ridurre l'accumulo di calore.
 - Il supporto per pad su tutta la superficie disponibile offre ulteriori gradi di regolazione.
 - Tre punti di regolazione laterale garantiscono un posizionamento eccezionale del cuscino di supporto.
 - Il fermo a sgancio rapido facilita i trasferimenti da e verso la sedia.
 - Varie opzioni di montaggio forniscono un collegamento sicuro ai tubi del sedile della sedia.

Azionare i laterali

Per azionare i laterali:

1. Premere il pulsante di rilascio rapido (A).



2. Il laterale oscillerà liberamente di 134° su entrambi i lati della posizione iniziale bloccata.
3. Il laterale si bloccherà in posizione solo quando verrà riportato nella sua posizione iniziale.

Regolazione degli adduttori

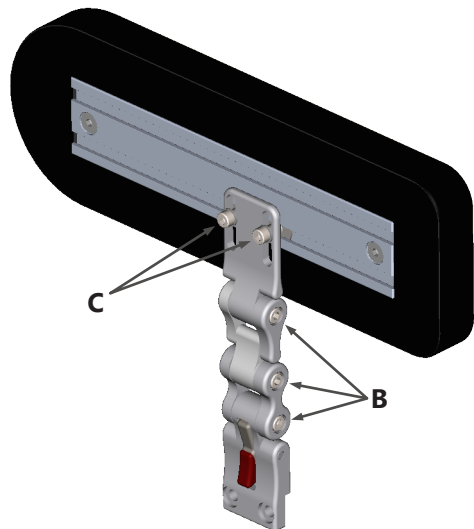
I laterali standard offrono tre punti di regolazione:

Per regolare i collegamenti (B):

1. Allentare leggermente le viti a esagono incassato M5 x 0,8 x 25 mm (B).
2. Impostare gli angoli desiderati e serrare le viti con una chiave esagonale 4mm.

Per regolare la posizione del pad:

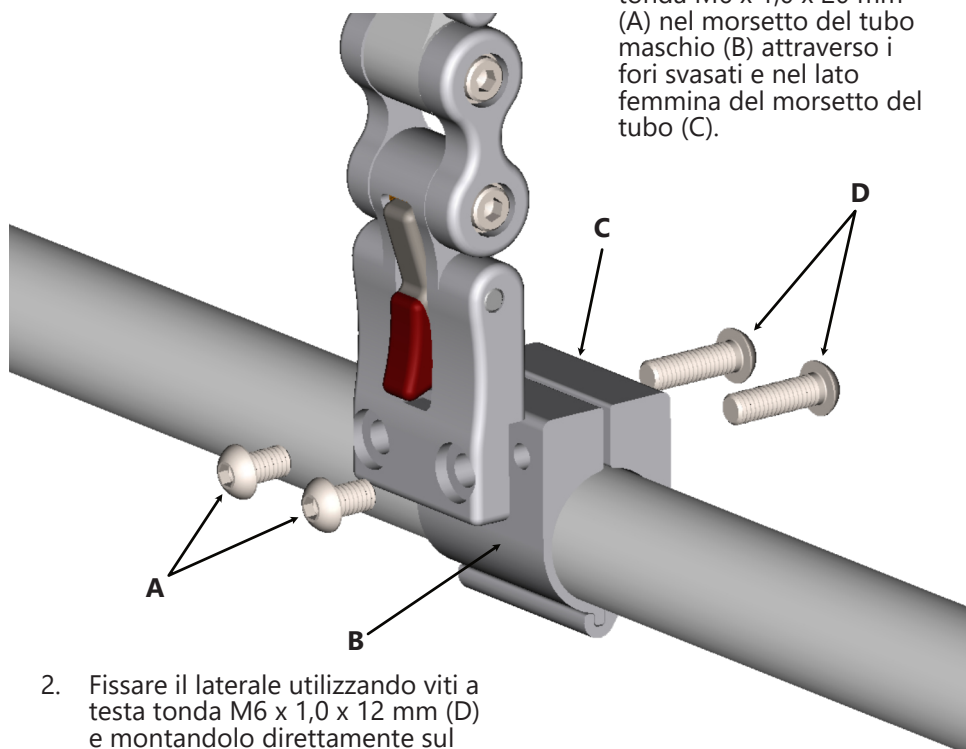
1. Allentare leggermente le due viti a esagono incassato M5 (C) e far scorrere la pastiglia nella posizione desiderata.
2. Serrare le viti per fissare il pad nella nuova posizione. Non stringere troppo.



Montaggio standard della canna

Per installare e regolare il montaggio della canna standard:

1. Inserire le viti a testa tonda M6 x 1,0 x 20 mm (A) nel morsetto del tubo maschio (B) attraverso i fori svasati e nel lato femmina del morsetto del tubo (C).



2. Fissare il laterale utilizzando viti a testa tonda M6 x 1,0 x 12 mm (D) e montandolo direttamente sul lato femmina del morsetto per canna. Serrare con una chiave esagonale 4mm.

3. Per regolare il lato della canna, allentare le viti a testa tonda M6 x 1,0 x 20 mm (A) e far scorrere il morsetto nella posizione desiderata.



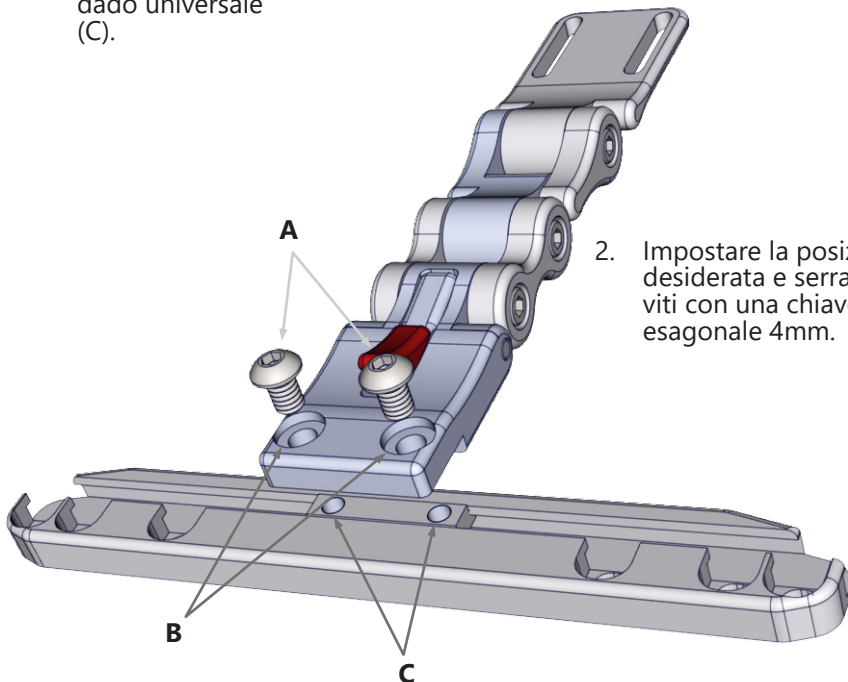
AVVERTENZA

L'installazione errata delle guide della coscia può causare danni all'hardware e/o lesioni all'utente.

Montaggio su binario standard

Per installare e regolare il montaggio su binario standard:

1. Inserire le viti a testa tonda M6 x 1,0 x 12 mm (A) attraverso i fori svasati (B) e nei fori filettati del dado universale (C).



2. Impostare la posizione desiderata e serrare le viti con una chiave esagonale 4mm.

3. Per regolare il laterale sul binario, allentare le viti e farlo scorrere nella nuova posizione. Stringere le viti.

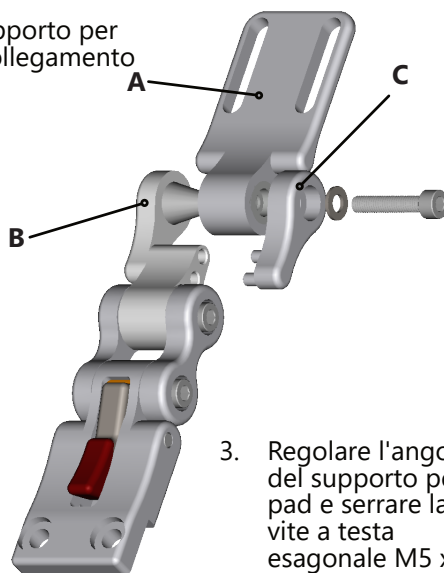
ATTENZIONE

L'uso di strumenti impropri può causare danni al dispositivo. Un serraggio inadeguato può causare l'allentamento dei componenti e causare disagio all'utente o guasti prematuri.

Installazione del supporto del cuscino

1. Posizionare la presa conica del supporto per pad (A) sul supporto conico del collegamento da 1,5" (B).

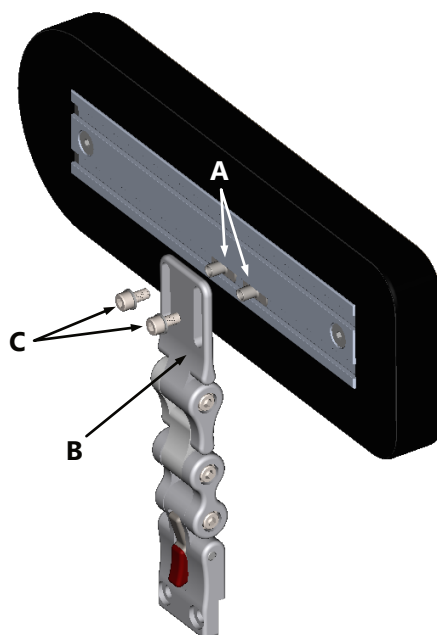
2. Posizionare l'accoppiatore da 1,5" (C) sul LINK da 1,5" (B) come mostrato e fissarlo con una rondella piatta M5 e una vite a esagono incassato M5 x 0,8 x 25 mm.



3. Regolare l'angolo del supporto per pad e serrare la vite a testa esagonale M5 x 0,8 x 25 mm.

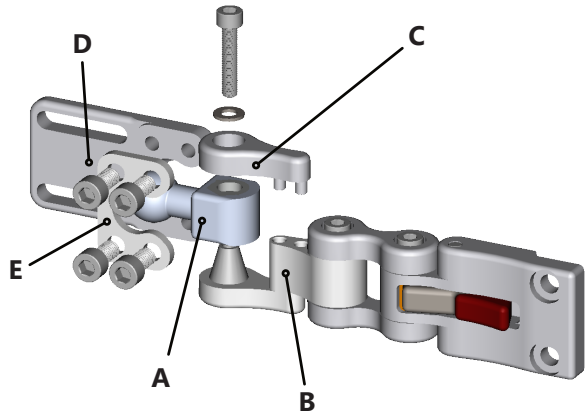
Installazione del cuscino per la coscia

1. Far scorrere i dadi della lastra (A) nella posizione desiderata nella guida del pad.
2. Allineare le fessure nel supporto per pad (B) con i manicotti filettati dei dadi a piastra (A)
3. Inserire le viti a esagono incassato M5 x 0,8 x 10 mm nei manicotti filettati dei dadi a piastra (A).
4. Allineare il pad nella posizione e nella posizione desiderate e serrare le viti per fissarlo in posizione.



Installazione del supporto a contatto su tutta la superficie*

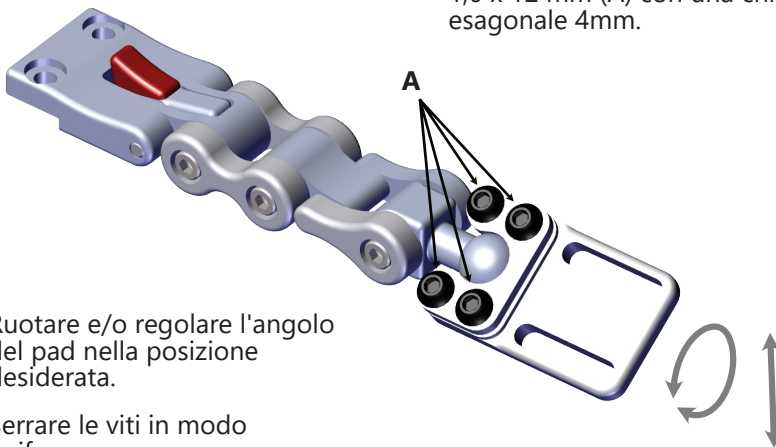
1. Posizionare la presa conica del collegamento a sfera da 17 mm del collegamento a sfera da 17 mm (A) sul supporto conico del collegamento da 1,5" (B).
2. Posizionare l'accoppiatore da 1,5" (C) sul collegamento da 1,5" (B) come mostrato di seguito e fissarlo con una rondella piatta M5 e una vite a brugola M5 x 0,8 x 25 mm.



* L'opzione Contatto a superficie intera non è compatibile con UTS25100-L/R. È necessario utilizzare l'UTS2510F-L/R o l'UTS2530F-L/R.

Regolazione del supporto del contatto su tutta la superficie

1. Allentare le viti a testa tonda M6 x 1,0 x 12 mm (A) con una chiave esagonale 4mm.



2. Ruotare e/o regolare l'angolo del pad nella posizione desiderata.
3. Serrare le viti in modo uniforme.

ATTENZIONE

Qualsiasi collegamento deve essere sempre assicurato con tutte le viti fornite. Utilizzare solo le viti fornite nella confezione.

Assistenza Concessionaria

Durante il primo utilizzo da parte dell'utente, si consiglia al rivenditore o al tecnico dell'assistenza non solo di assemblare il prodotto, ma anche di spiegare la configurazione del posizionamento dell'utente all'utente (vale a dire, l'utente e/o l'operatore). Se necessario, il rivenditore può apportare le modifiche finali.

AVVERTENZA

Solo il **UniLink Thigh Support Lateral** dovrebbe essere prescritto e montato da un qualificato operatore sanitario.

Test utente

È importante che il cliente sia pienamente consapevole dell'installazione del **UniLink Thigh Support Lateral**, di come utilizzarlo e di come può essere regolato per adattarsi comodamente al cliente. In qualità di rivenditore, procedere come segue:

- Spiegare e mostrare al cliente come è stata eseguita l'installazione e spiegare la funzione.
- Far verificare all'utente la posizione del **UniLink Thigh Support Lateral**.
- L'hardware è nella posizione corretta per il cliente?
- Tutti i comandi possono essere azionati in sicurezza e con il minimo sforzo?
- Se necessario, apportare eventuali modifiche al posizionamento.
- Spiegare possibili problemi al cliente e come affrontarli.

Condizioni d'uso

Il **UniLink Thigh Support Lateral** è destinato all'uso installato dal rivenditore, in conformità con le istruzioni di installazione in questo manuale.

Assicurarsi che le condizioni d'uso previste siano comunicate dal rivenditore o dal tecnico dell'assistenza all'utente e/o addetto durante il primo utilizzo.

Se le condizioni di utilizzo cambiano in modo significativo, contattare il rivenditore o un tecnico dell'assistenza qualificato per evitare danni accidentali.



PERICOLO

Mancato rispetto di queste avvertenze potrebbe causare gravi danni fisici.

Sicurezza

- Controllare periodicamente l'hardware per viti allentate o parti usurate.
- Controllare l'imbottitura laterale per eventuali rotture di schiuma e/o metallo che passa attraverso la schiuma. Questo potrebbe essere potenzialmente pericoloso per il cliente.

SICUREZZA

Riparare o sostituire le parti secondo necessità.

ATTENZIONE

Controllare sempre tutto l'hardware di montaggio, assicurandosi che ogni dispositivo di fissaggio è ben serrato prima di utilizzare il laterale.

AVVERTENZA

Monitorare la schiuma per la rottura e sostituirla secondo necessità. Non utilizzare la guida per cosce se la schiuma è danneggiata o deteriorata.

Pulizia

- Lavare la fodera in lavatrice in acqua fredda, ciclo delicato e asciugare a gocciolamento.
- Non lasciare che la schiuma si bagni.
- Non utilizzare la guida per cosce senza il coperchio in posizione.

AVVERTENZA

NON usare candeggina. **Non** stirare.
Non lavare o asciugare a temperature superiori a 80°C (176°F).

ATTENZIONE

Quando si rimuove la guida della coscia, fare attenzione a non forare, strappare o danneggiare in altro modo il tessuto o la schiuma.

Disposizione

Per i prodotti che contengono batterie o componenti elettronici, restituire il prodotto a personale qualificato per lo smaltimento. Tutti i componenti del prodotto devono essere smaltiti correttamente in conformità con le rispettive normative ambientali locali e nazionali.

La satisfacción del cliente.....	i
General.....	i
Información general	ii
Garantía.....	ii
Referencia del proveedor.....	ii
Etiquetas de advertencia.....	iii
Etiquetas de advertencia.....	iii
De responsabilidad limitada	iii
Pruebas	iii
Diseño y Función.....	1-2
Uso previsto	1
Características.....	1
Operando los laterales.....	2
Ajuste de los aductores	2
Instalación.....	3-6
Montaje de bastón estándar	3
Montaje en riel estándar	4
Instalación de montaje de cojín	5
Instalación de almohadillas para muslos.....	5
Instalación de montaje de contacto de superficie completa	6
Ajuste de montaje de contacto de superficie completa	6
Uso por primera vez.....	7
Asistencia del distribuidor	7
Pruebas de usuario.....	7
Condiciones de Uso	7
Cuidado y mantenimiento	8
La seguridad.....	8
Limpieza.....	8
Desecho	8

Stealth Products está comprometido con la satisfacción del cliente al 100%. Su completa satisfacción es importante para nosotros. Comuníquese con nosotros si tiene comentarios o sugerencias para ayudarnos a mejorar la calidad y la facilidad de uso de nuestros productos.

Puede comunicarse con nosotros en:



Stealth Products, LLC
104 John Kelly Drive, Burnet, TX 78611



Teléfono: (512) 715-9995
Fax: (512) 715-9954

Gratuito: (800) 965-9229
Gratuito: (800) 806-1225

info@stealthproducts.com
www.stealthproducts.com

<p>EC REP</p> <p>MDSS GmbH Schiffgraben 41 30175 Hannover Germany</p>	<p>CH REP</p> <p>SODIMED SA Chemin Praz Devant 12 1032 Romanel sur-Lausanne Switzerland</p>	<p>Representante autorizado del Reino Unido</p> <p>MDSS-UK RP 6 Wilmslow Road, Rusholme Manchester M14 5TP United Kingdom</p>
---	---	--

General

Lea y comprenda todas las instrucciones antes de usar el producto. El incumplimiento de las instrucciones y advertencias de este documento puede provocar daños a la propiedad, lesiones o la muerte. El mal uso del producto o el incumplimiento de las instrucciones anulará la garantía.

Interrumpa el uso de inmediato si alguna función se ve comprometida, si faltan piezas o están sueltas, o si algún componente muestra signos de desgaste excesivo. Consulte con su proveedor para reparación, ajuste o reemplazo.

Todas las personas responsables de la instalación, el ajuste y el uso diario de los dispositivos mencionados en estas instrucciones deben conocer y comprender todos los aspectos de seguridad de los dispositivos mencionados. Para que nuestros productos se utilicen con éxito, debe leer y comprender todas las instrucciones y advertencias, y mantener nuestros productos de acuerdo con nuestras instrucciones de cuidado y mantenimiento.

Las instrucciones de instalación le guiarán a través de las opciones y posibilidades de este producto.

Las instrucciones están escritas con la intención expresa de uso con configuraciones estándar. También contienen información importante sobre seguridad y mantenimiento, así como describen posibles problemas que pueden surgir durante el uso. Para obtener más ayuda o aplicaciones más avanzadas, comuníquese con **Stealth Products** al (512) 715-9995 o al número gratuito (800) 965-9229 o con su proveedor.

Guarde siempre las instrucciones de funcionamiento en un lugar seguro para poder consultarlas cuando sea necesario.

Toda la información, imágenes, ilustraciones y especificaciones se basan en la información del producto que estaba disponible en el momento de la impresión. Las imágenes e ilustraciones que se muestran en estas instrucciones son ejemplos representativos y no pretenden ser representaciones exactas de las diversas partes del producto.

PRECAUCIÓN

Estos productos están diseñados para ser ajustados, aplicados e instalados exclusivamente por un profesional de la salud capacitado para estos fines. El ajuste, la aplicación y la instalación por parte de una persona no calificada podría provocar lesiones graves.

Garantía

Nuestros productos están diseñados, fabricados y producidos con los más altos estándares. Si se encuentra algún defecto en el material o en la mano de obra, **Stealth Products** reparará o reemplazará el producto a nuestra discreción. Cualquier garantía implícita, incluidas las garantías implícitas de comerciabilidad e idoneidad para un propósito particular, no se extenderá más allá de la duración de esta garantía. **Stealth Products** no garantiza daños debido a, entre otros: Mal uso, abuso o aplicación incorrecta del producto y/o modificación del producto sin la aprobación por escrito de **Stealth Products, LLC**. Cualquier alteración o falta de número de serie, en su caso, anulará automáticamente toda garantía. **Stealth Products, LLC** es responsable únicamente de las piezas de repuesto. **Stealth Products, LLC** no es responsable de los costos de mano de obra incurridos. **Stealth Products** garantiza contra fallas debido a materiales o mano de obra defectuosos:

Cobre: 2 años
Hardware: 5 años
Electrónica: 3 años

En caso de falla de un producto cubierto por nuestra garantía, siga los procedimientos que se describen a continuación:

Llame a **Stealth Products** al (512) 715-9995 o al número gratuito (800) 965-9229.

Solicite un formulario de Autorización de devolución (RA) del Departamento de devoluciones y siga las instrucciones de la documentación.

Puede descargar copias adicionales de este manual accediendo al sitio web de Stealth (www.stlpro.site/stealth-docs) y buscando "UniLink Thigh Support" en la barra de búsqueda en la parte superior de la página.

Referencia del proveedor

Proveedor:	
Teléfono:	
Dirección:	
Fecha de compra:	
Modelo:	

Etiquetas de Advertencia

Se incluyen advertencias para la seguridad del usuario, cliente, operador y propiedad. Lea y comprenda el significado de las palabras clave **PELIGRO**, **ADVERTENCIA**, **PRECAUCIÓN**, **AVISO** y **SEGURIDAD**, y cómo podrían afectar al usuario, a quienes lo rodean y a la propiedad.



PELIGRO

Identifica una situación inminente que, si no se evita, puede resultar en lesiones graves, muerte y daños a la propiedad.



ADVERTENCIA

Identifica una situación potencial que, si no se evita, puede resultar en lesiones graves, muerte y daños a la propiedad.



PRECAUCIÓN

Identifica una situación potencial que, si no se evita, puede resultar en lesiones leves a moderadas y daños a la propiedad.

AVISO

Identifica información importante no relacionada con lesiones, pero posibles daños a la propiedad.

SEGURIDAD

Indica pasos o instrucciones para prácticas seguras, recordatorios de seguridad procedimientos o equipo de seguridad importante que pueda ser necesario.

De Responsabilidad Limitada

Stealth Products, LLC no acepta ninguna responsabilidad por lesiones personales o daños a la propiedad que puedan derivarse del incumplimiento por parte del usuario u otras personas de las recomendaciones, advertencias e instrucciones de este manual.

Stealth Products no se hace responsable de la integración final del ensamblaje final del producto para el usuario final. **Stealth Products** no es responsable de la muerte o lesiones del usuario.

Pruebas

La configuración inicial y la conducción deben realizarse en un área abierta libre de obstáculos hasta que el usuario sea completamente capaz de conducir con seguridad.

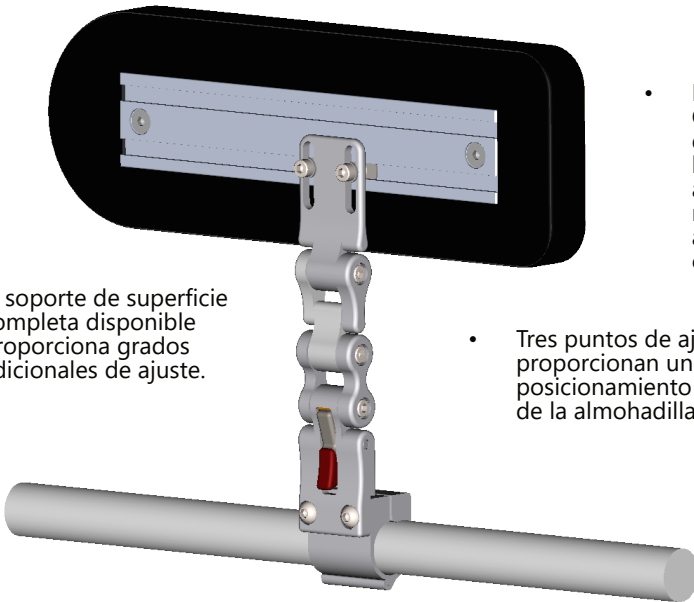
Uso previsto

La estabilidad lateral es esencial para equilibrar el cuerpo en relación con la gravedad. Los objetivos a largo plazo de una postura mejorada son aliviar la presión, minimizar las consecuencias ortopédicas, normalizar el tono muscular, reducir los requisitos de los músculos activos y aumentar la función general del usuario.

UniLink™ Thigh Support Solutions son soportes laterales altamente ajustables que aumentan la estabilidad y el equilibrio del usuario mientras está en la silla, sirven como recordatorios táctiles de la posición y corrigen la flexión lateral del muslo. Proporcionan un medio preciso y duradero para mantener al usuario en una posición funcional, evitando un mayor deterioro de la postura y disminuyendo la necesidad de posicionamiento repetitivo del usuario a lo largo del día. Los soportes abatibles para los muslos se deslizan hacia abajo, pero permanecen unidos a la silla, lo que reduce las posibilidades de que se extravíen, se dejen atrás o se pierdan.

Características

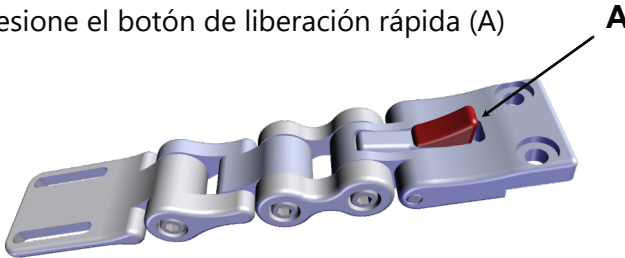
- Almohadillas disponibles en varios tamaños para brindar el soporte exacto requerido.
- Las cubiertas Coolcore disponibles en las almohadillas ayudan a reducir la acumulación de calor.
- El soporte de superficie completa disponible proporciona grados adicionales de ajuste.
- Tres puntos de ajuste lateral proporcionan un posicionamiento excepcional de la almohadilla de apoyo.
- El pestillo de liberación rápida facilita las transferencias hacia y desde la silla.
- Varias opciones de montaje proporcionan una conexión segura a los tubos del asiento de la silla.



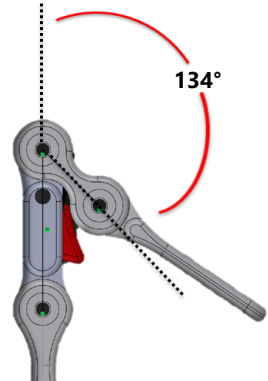
Operando los laterales

Para operar los laterales:

1. Presione el botón de liberación rápida (A)



2. El lateral girará libremente 134° a cada lado de la posición inicial bloqueada.
3. El lateral solo se bloqueará en su lugar cuando vuelva a su posición inicial.

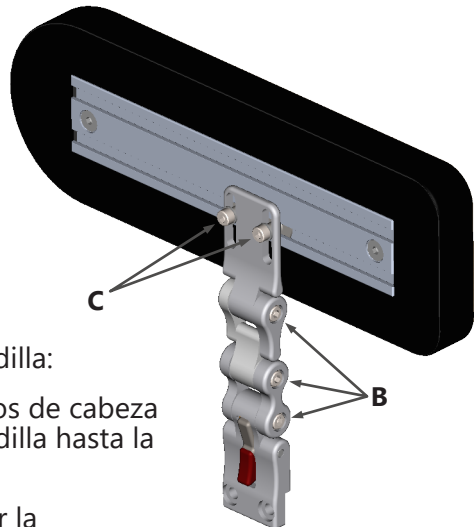


Ajuste de los aductores

Los laterales estándar ofrecen tres puntos de ajuste:

Para ajustar los enlaces (B):

1. Afloje ligeramente los tornillos de cabeza hueca M5 x 0,8 x 25 mm (B).
2. Establezca los ángulos deseados y apriete los tornillos con una llave hexagonal 4mm.



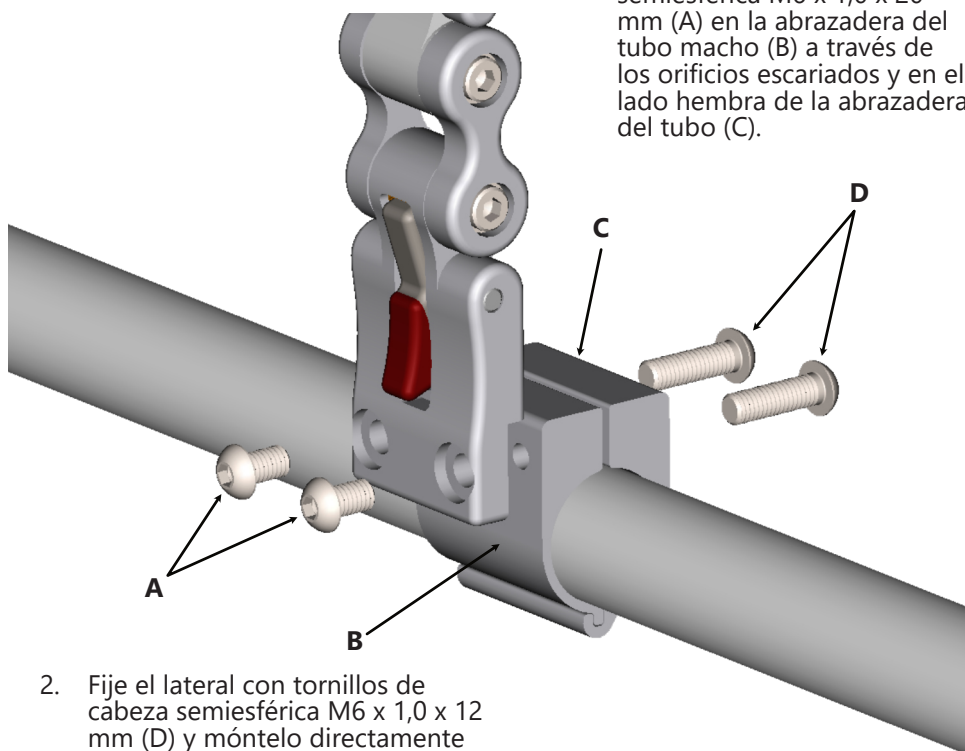
Para ajustar la posición de la almohadilla:

1. Afloje ligeramente los dos tornillos de cabeza hueca M5 (C) y deslice la almohadilla hasta la posición deseada.
2. Apriete los tornillos para asegurar la almohadilla en la nueva posición. No apriete demasiado.

Montaje de bastón estándar

Para instalar y ajustar el montaje de bastón estándar:

1. Inserte los tornillos de cabeza semiesférica M6 x 1,0 x 20 mm (A) en la abrazadera del tubo macho (B) a través de los orificios escariados y en el lado hembra de la abrazadera del tubo (C).



2. Fije el lateral con tornillos de cabeza semiesférica M6 x 1,0 x 12 mm (D) y móntelo directamente en el lado hembra de la abrazadera de la caña. Apriete con una llave hexagonal 4mm.

3. Para ajustar el lateral del bastón, afloje los tornillos de cabeza semiesférica M6 x 1,0 x 20 mm (A) y deslice la abrazadera hasta la posición deseada.



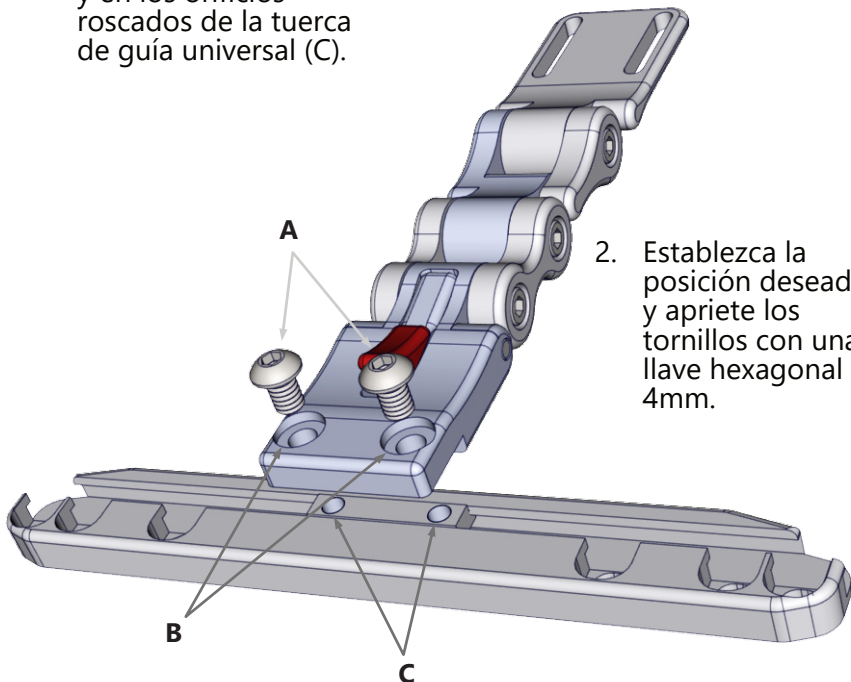
ADVERTENCIA

La instalación incorrecta de las guías para los muslos puede causar daños al hardware y/o lesiones al usuario.

Montaje en riel estándar

Para instalar y ajustar el montaje de riel estándar:

1. Inserte los tornillos de cabeza semiesférica M6 x 1,0 x 12 mm (A) a través de los orificios escariados (B) y en los orificios roscados de la tuerca de guía universal (C).



2. Establezca la posición deseada y apriete los tornillos con una llave hexagonal 4mm.

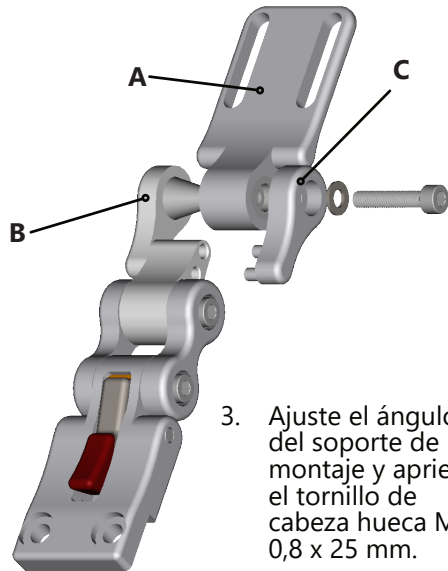
3. Para ajustar el lateral en el riel, afloje los tornillos y deslícelo a la nueva posición. Apretar los tornillos.

PRECAUCIÓN

El uso de herramientas inadecuadas puede causar daños al dispositivo. Un ajuste inadecuado puede hacer que los componentes se aflojen y provoquen incomodidad para el usuario o una falla prematura.

Instalación de montaje de cojín

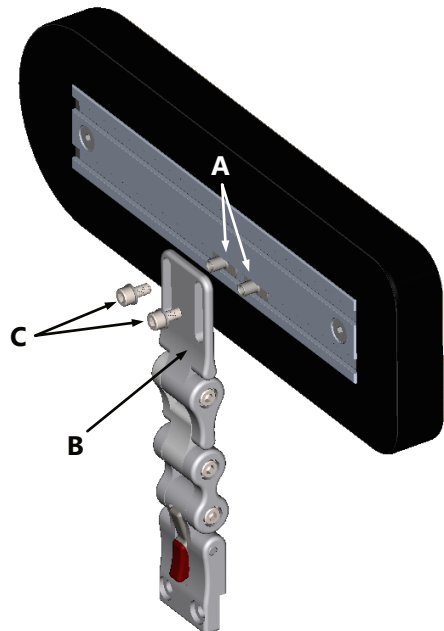
1. Coloque el casquillo cónico del soporte de montaje (A) en el soporte cónico del enlace de 1,5" (B).
2. Coloque el acoplador de 1,5" (C) en el enlace de 1,5" (B) como se muestra y asegúrelo con una arandela plana M5 y un tornillo de cabeza hueca M5 x 0,8 x 25 mm.



3. Ajuste el ángulo del soporte de montaje y apriete el tornillo de cabeza hueca M5 x 0,8 x 25 mm.

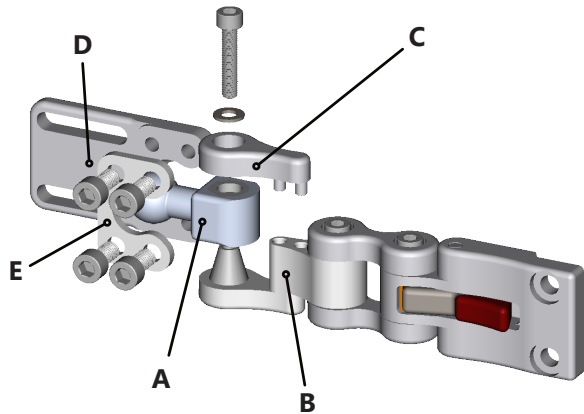
Instalación de almohadillas para muslos

1. Deslice las tuercas de losa (A) en la ubicación deseada en el riel de la plataforma.
2. Alinee las ranuras del soporte de montaje (B) con los manguitos roscados de las tuercas para losa (A)
3. Inserte los tornillos de cabeza hueca M5 x 0,8 x 10 mm en los manguitos roscados de las tuercas planas (A).
4. Alinee la almohadilla en la posición y ubicación deseada y apriete los tornillos para asegurarla en su lugar.



Instalación de montaje de contacto de superficie completa*

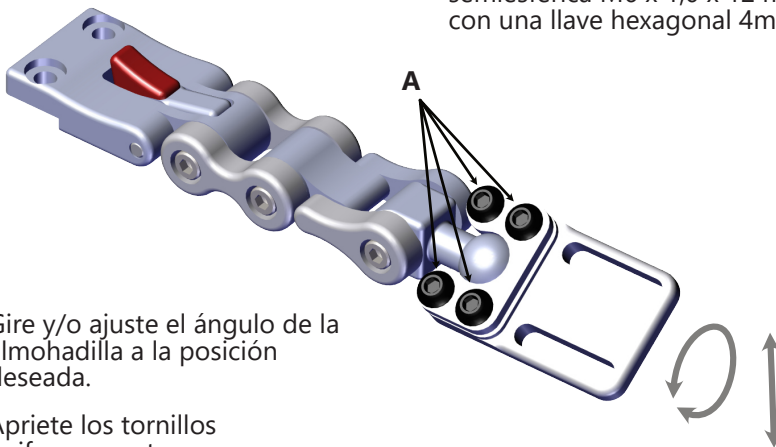
1. Coloque el casquillo cónico del eslabón de bola de 17 mm del eslabón de bola de 17 mm (A) en el soporte cónico del eslabón de 1,5" (B).
2. Coloque el acoplador de 1,5" (C) en el enlace de 1,5" (B) como se muestra a continuación y asegúrelo con una arandela plana M5 y un tornillo de cabeza hueca M5 x 0,8 x 25 mm.



* La opción de contacto de superficie completa no es compatible con UTS25100-L/R. Se debe utilizar el UTS2510F-L/R o UTS2530F-L/R.

Ajuste de montaje de contacto de superficie completa

1. Afloje los tornillos de cabeza semiesférica M6 x 1,0 x 12 mm (A) con una llave hexagonal 4mm.



2. Gire y/o ajuste el ángulo de la almohadilla a la posición deseada.
3. Apriete los tornillos uniformemente.

PRECAUCIÓN

Cualquier conexión debe asegurarse siempre con todos los tornillos suministrados. Utilice únicamente los tornillos proporcionados en el paquete.

Asistencia del distribuidor

Durante el uso por primera vez por parte del usuario, se recomienda que el distribuidor o técnico de servicio no solo ensamble el producto, sino que también le explique la configuración del posicionamiento del usuario (es decir, el usuario y/o el asistente). Si es necesario, el distribuidor puede hacer los ajustes finales.



WARNING

El **UniLink Thigh Support Lateral** solo debe ser recetado y ajustado por un profesional sanitario.

Pruebas de usuario

Es importante que el cliente sea plenamente consciente de la instalación del **UniLink Thigh Support Lateral**, cómo usarlo y cómo puede ajustarse para adaptarse cómodamente al cliente. Como distribuidor, proceda de la siguiente manera:

- Explique y muestre al cliente cómo ha ejecutado la instalación y explíquele la función.
- Haga que el usuario pruebe la posición del **UniLink Thigh Support Lateral**.
- ¿Está el hardware en la posición adecuada para el cliente?
- ¿Se pueden operar todos los controles de manera segura y con el mínimo esfuerzo?
- Si es necesario, realice ajustes en el posicionamiento.
- Explicar posibles problemas al cliente y cómo abordarlos.

Condiciones de Uso

El **UniLink Thigh Support Lateral** está diseñado para ser utilizado tal como lo instaló el distribuidor, de acuerdo con las instrucciones de instalación de este manual.

Asegúrese de que el distribuidor o técnico de servicio comunique las condiciones de uso previstas al usuario y/o asistente durante el primer uso.

Si las condiciones de uso cambian significativamente, comuníquese con su distribuidor o un técnico de servicio calificado para evitar daños no deseados.



PELIGRO

Incumplimiento de estas advertencias podría resultar en lesiones corporales graves.

La seguridad

- Revise periódicamente el hardware en busca de tornillos sueltos o piezas desgastadas.
- Revise la almohadilla lateral para ver si hay rotura de espuma y/o metal que sale a través de la espuma. Esto podría ser potencialmente peligroso para el cliente.

SEGURIDAD

Repare o reemplace las piezas según sea necesario.



PRECAUCIÓN

Siempre revise todo el hardware de montaje, asegurándose de que cada sujetador está bien apretado antes de usar el lateral.



ADVERTENCIA

Supervise la espuma en busca de roturas y reemplácela según sea necesario. No utilice la guía para muslos si la espuma está dañada o deteriorada.

Limpieza

- Para lavar la funda, retire la funda de la guía para muslos.
- Lave la cubierta a máquina en agua fría, ciclo delicado y seque al aire.
- No permita que la espuma se moje.
- No use la guía para muslos sin la cubierta en su lugar.



ADVERTENCIA

NO use lejía. **NO** planchar.
No lave ni seque a temperaturas superiores a 80°C (176°F).



PRECAUCIÓN

Al retirar la guía del muslo, tenga cuidado de no perforar, desgarrar o dañar la tela o la espuma.

Desecho

En el caso de productos que contengan baterías o componentes electrónicos, devuélvalos a personal calificado para su eliminación. Todos los componentes del producto deben desecharse correctamente de acuerdo con las reglamentaciones ambientales locales y nacionales respectivas.



© 2022, Stealth Products, LLC

Warranty Information



Home Page



Online User Manual



Stealth Products, LLC · info@stealthproducts.com · www.stealthproducts.com
(800) 965-9229 | (512) 715-9995 | 104 John Kelly Drive, Burnet, TX 78611