

UniLink Elbow Support Hardware

Owner's Manual



TABLE OF CONTENTS

Customer Satisfaction	i
General Information	ii-iii
Warranty	ii
Supplier Reference Table.....	ii
Warning Labels.....	iii
Limited Liability.....	iii
Testing	iii
Design & Function	1-2
Intended Use.....	1
Features.....	1
Mounting.....	1
Preparations	1
Parts and Accessories Breakdown	2
Installation	2-8
Tools	2
Required Tools.....	2
Included Fasteners.....	3
Installation Plan	3
Optional Swing-Away Hardware	3
Assembling and Adjusting the Elbow Block Pad	4
Installing the UniLink Elbow Block Hardware.....	5
Adjusting the UniLink Elbow Block	6
Installing the Optional Arm Stop	7
First Time Use	8
Cleaning & Maintenance	9
Notes	10

Stealth Products is committed to 100% customer satisfaction. Your complete satisfaction is important to us. Please contact us with feedback or suggestions to help us improve the quality and usability of our products.

You may reach us at:



Stealth Products, LLC

104 John Kelly Drive, Burnet, TX 78611

Phone: (512) 715-9995

Fax: (512) 715-9954

Toll Free: (800) 965-9229

Toll Free: (800) 806-1225

info@stealthproducts.com

www.stealthproducts.com



<p>EC REP</p> <p>MDSS GmbH Schiffgraben 41 30175 Hannover Germany</p>	<p>CH REP</p> <p>SODIMED SA Chemin Praz Devant 12 1032 Romanel sur-Lausanne Switzerland</p>	<p>UK Authorized Representative</p> <p>MDSS-UK RP 6 Wilmslow Road, Rusholme Manchester M14 5TP United Kingdom</p>
---	---	---

General

Read and understand all instructions prior to the use of the product. Failure to adhere to instructions and warnings in this document may result in property damage, injury, or death. Product misuse or failure to follow instructions will void the warranty.

Immediately discontinue use if any function is compromised, if parts are missing or loose, or if any component shows signs of excessive wear. Consult with your supplier for repair, adjustment, or replacement.

All persons responsible for fitting, adjustment, and daily use of the devices discussed in these instructions must be familiar with and understand all safety aspects of the devices mentioned. In order for our products to be used successfully, you must read and understand all instructions and warnings, and maintain our products according to our instructions on care and maintenance.

The installation instructions will guide you through this product's options and possibilities.

Instructions are written with the expressed intent of use with standard configurations. They also contain important safety and maintenance information, as well as describe possible problems that can arise during use. For further assistance, or more advanced applications, please contact your supplier or **Stealth Products** at (512) 715-9995 or toll free at (800) 965-9229.

Always keep the operating instructions in a safe place so they may be referenced as necessary.

All information, pictures, illustrations, and specifications are based on the product information that was available at the time of printing. Pictures and illustrations shown in these instructions are representative examples and are not intended to be exact depictions of the various parts of the product.

CAUTION

These products are designed to be fitted, applied, and installed exclusively by a healthcare professional trained for these purposes. The fitting, application, and installation by a non-qualified individual could result in serious injury.

Warranty

Our products are designed, manufactured, and produced to the highest of standards. If any defect in material or workmanship is found, Stealth Products will repair or replace the product at our discretion. Any implied warranty, including the implied warranties of merchantability and fitness for a particular purpose, shall not extend beyond the duration of this warranty. Stealth Products does not warrant damage due to, but not limited to: Misuse, abuse, or misapplication of product, and/or modification of product without written approval from **Stealth Products, LLC**. Any alteration or lack of serial number, where applicable, will automatically void all warranty.

Stealth Products, LLC is liable for replacement parts only. **Stealth Products, LLC** is not liable for any incurred labor costs.

Stealth Products warrants against failure due to defective materials or workmanship:

Covers: 2 Years
Hardware: 5 years
Electronics: 3 years

In the event of a product failure covered by our warranty, please follow the procedures outlined below:

Call **Stealth Products** at (512) 715-9995 or toll free at (800) 965-9229.

Request a Return Authorization (RA) form from the Returns Department and follow the documentation instructions.

You can download additional copies of this manual by accessing the Stealth website (www.stealthproducts.com) and searching "TAG NAMES" in the search bar at the top of the page.

Supplier Reference

Supplier:	
Telephone:	
Address:	
Purchase Date:	
Model:	

Warning Labels

Warnings are included for the safety of the user, client, operator, and property. Please read and understand what the signal words **DANGER**, **WARNING**, **CAUTION**, **NOTICE**, and **SAFETY** mean, and how they could affect the user, those around the user, and property.



DANGER

Identifies an **imminent** situation which, if not avoided, may result in **severe injury, death, and property damage**.



WARNING

Identifies a **potential** situation which, if not avoided, may result in **severe injury, death, and property damage**.



CAUTION

Identifies a **potential** situation which, if not avoided, may result in **minor to moderate injury and property damage**.

NOTICE

Identifies important information not related to injury, but possible **property damage**.

SAFETY

Indicates steps or instructions for safe practices, reminders of safe procedures, or important safety equipment that may be necessary.

Limited Liability

Stealth Products, LLC accepts no liability for personal injury or damage to property that may arise from the failure of the user or other persons to follow the recommendations, warnings, and instructions in this manual.

Stealth Products does not hold responsibility for final integration of final assembly of product to end user. **Stealth Products** is not liable for user death or injury.

Testing

Initial setup and driving should be done in an open area free of obstacles until the user is fully capable of driving safely.

Intended Use

Elbow Blocks are designed to utilize direct contact support to provide posterior and lateral stability for the user's upper extremities (UEs). Angle and depth adjustment allow full surface contact with the user while accommodating upper extremity postural anomalies. The hardware allows for multiple points of adjustment for a natural fit for the user. By encouraging the user's arms into a mid-line position, **Elbow Blocks** will prevent injury to the user's shoulder from hyper-extension due to gravity pulling a flaccid UE to the rear of the power chair. It also prevents the user's arms from sliding off the armrest. **Elbow Blocks** keep the user's arms properly positioned through bumpy or rough terrain. **Elbow Blocks** prevent the user from being unable to reach their drive control and/or seat control functions during tilt and they will help keep the user's arms properly positioned while tilted, reclining, or repositioning. They provide posterior support of the user's UEs to assist in maintaining UE positioning for stabilized driving and/or hand-controlled operation.

Features

The **UniLink Elbow Blocks** feature:

- Links that provide easy adjustment for height and depth;
- A ball-mount for the pad that facilitates angle adjustment;
- Height adjustment providing correct point-of-contact independent of seat cushion height variances;
- The ability to be used as a reference point allowing caregivers and users alike to know where the upper extremities should be positioned on the armrest.

Mounting

The **UniLink Elbow Blocks** are designed to be removable and have additional angle and depth adjustment if needed. The supports are side-specific, so adjustment bolts face away from the user for ease of adjustment. The Elbow Block slides into the track of the TB4 arm from Quantum. The hardware has a ball mount which can work with a foam or gel pad.

Preparations

Only a qualified service technician should install the **UniLink Elbow Block** and its accessories.



WARNING

An incorrect installation of **UniLink Elbow Block** may cause damage to the hardware and/or injury to the user.

Parts and Accessories Breakdown

A typical **UniLink Elbow Block** package will contain:

1. **Mounting Hardware**
 - The mounting hardware is designed to slide into the track of the armrest.
2. **UniLink Elbow Block Hardware**
 - The hardware for the Elbow Blocks are black anodized aluminum with multiple adjustment points to achieve direct contact support. Available in fixed or drop-down style.
3. **Pad Support**
 - The pads provide positioning and support with foam or gel material.

Tools

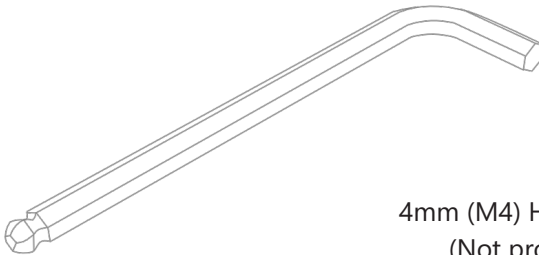
Use the proper tools to install and adjust the **Elbow Blocks** to the desired position for the user. Ensure all fasteners are adequately tightened.

CAUTION

The use of improper tools may cause damage to the device. Insufficient tightening of fasteners may lead to discomfort for the user or component failure.

Required Tools

The tools needed to complete the installation of the **Elbow Blocks** are as follows:



4mm (M4) Hex Wrench
(Not provided)

CAUTION

Any connection must be secured with all delivered screws. Use only the screws provided in the package.

Included Fasteners

The **UniLink Elbow Block** will be packaged with the following fasteners:

- M5x0.8x20mm Socket Head Screws (SHS); and,
- M8x1.25x12mm Socket Cup Point Set Screws (SCPSS).

This selection of screws should accommodate your installation needs. If you have trouble with the installation of the seat back mount, or have a question outside the scope of this manual, please contact your supplier, or call us at the numbers listed on the inside cover.

Installation Plan

Set up an installation plan before beginning the installation.

This plan should take into account:

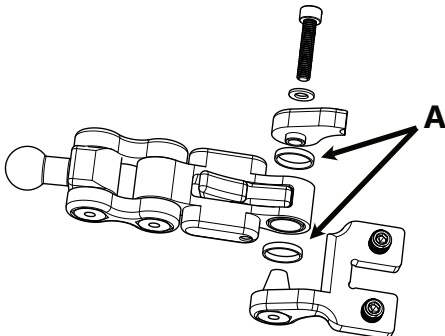
- Where the **UniLink Elbow Blocks** will be placed, as well as applicable laterals and support cushions;
- How the **UniLink Elbow Blocks** will be operated;
- How they will provide support; and,
- Sufficient clearance of other hardware and accessories.

Optional Swing-Away Hardware

The **UniLink Elbow Block** is available with Swing-Away hardware, allowing the Elbow Block pad to be rotated up and out of the way of the arm rest when necessary. It can be returned to the adjusted position when desired, and will lock in place.

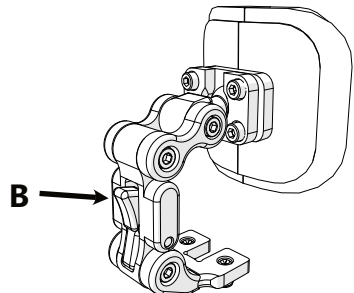
INSTALLATION

Assemble the mounting hardware (mount for TB4 shown). Be sure to install the included bushings (**A**) (packaged separately).



OPERATION

Press the button (**B**) to release the lock and allow the hardware and pad to swing away. Move the pad and hardware back to the original position to lock it in place.

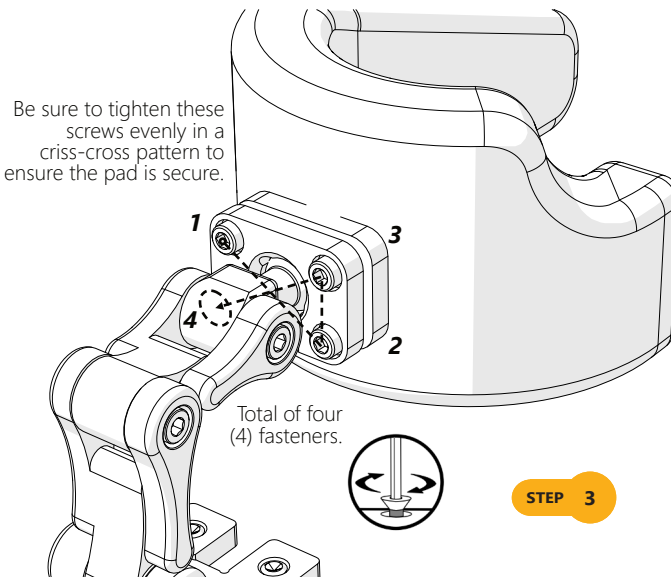
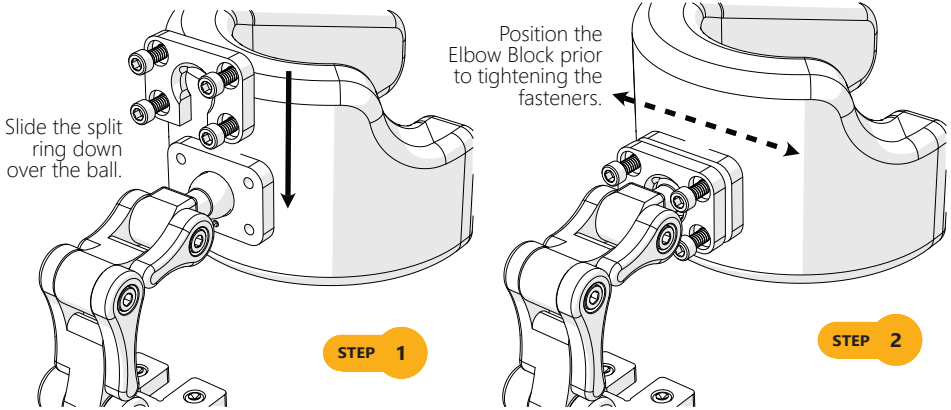


Assembling and Adjusting the Elbow Block Pad

Step One: Slide the split ring over the 17mm ball, ensuring that the ring is facing the correct direction so that the screw cap heads rest in the recesses.

Step Two: Place the **Elbow Block** pad mount plate over the 17mm ball and loosely install the screws. Adjust the **Elbow Block** pad to the desired angle.

Step Three: Evenly tighten the screws in a criss-cross pattern. Use the gap to keep the split ring even side to side and top to bottom. Ensure the screws are adequately tight and verify the elbow block does not move.

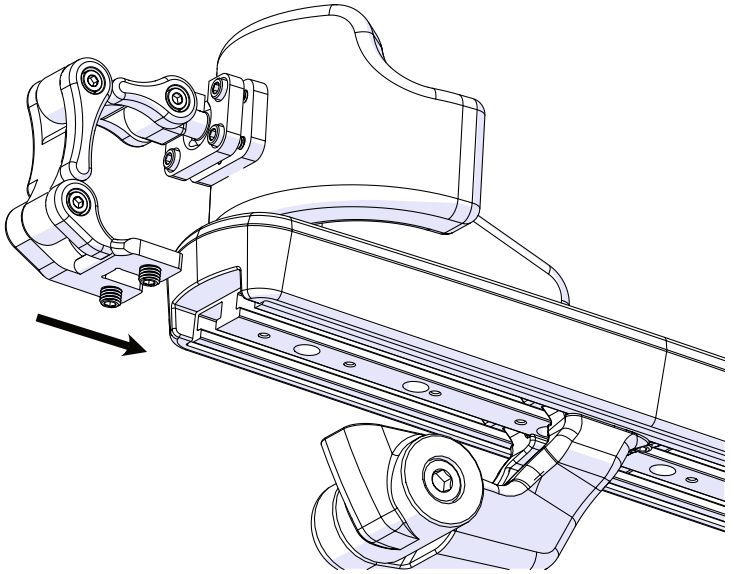


Installing the UniLink Elbow Block Hardware

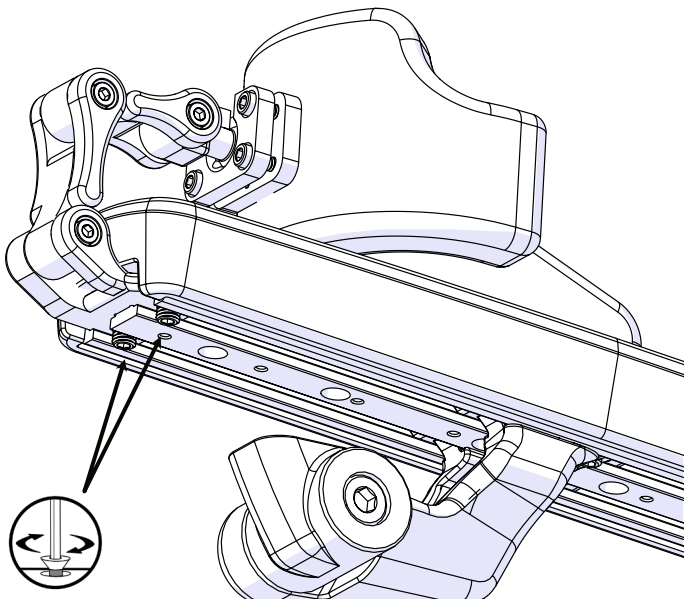
Step One: Ensure that the rail has a minimum of 3/4" of exposed track to allow the **Elbow Block** mount to insert fully. Mount the **Elbow Block** with the link adjustment screws facing out for accessibility.

Step Two: Insert the **Elbow Block** mount into the seat rail and tighten the two 4mm (M8 thread) set screws.

STEP 1



STEP 2



Adjusting the UniLink Elbow Block

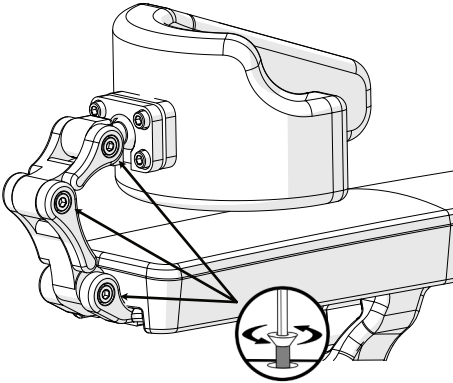
Step One: Loosen the M5x0.8x20mm socket head screws until each joint is movable.

Step Two: Adjust to the desired position (Each link rotates up to approximately 258°).

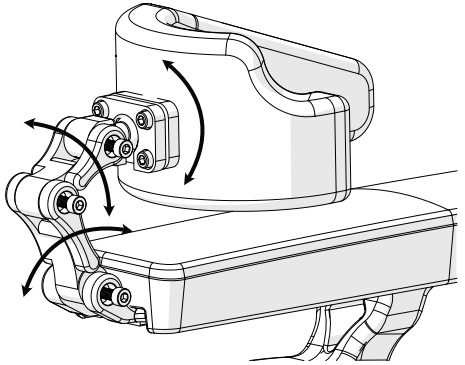
Step Three: Tighten the M5x0.8x20mm Socket Head Screws.

Step Four: Repeat on additional UniLinks as necessary, until the hardware is in the desired position. Add or remove 1.5" or 2" links as necessary.

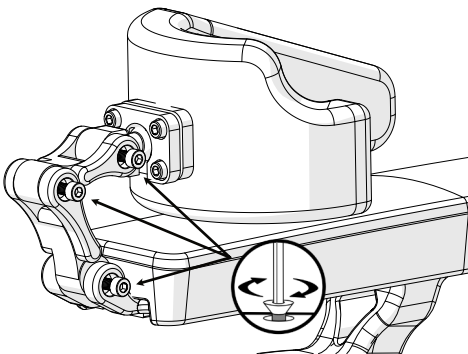
STEP 1



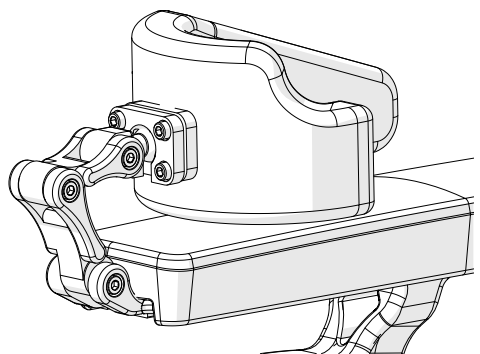
STEP 2



STEP 3



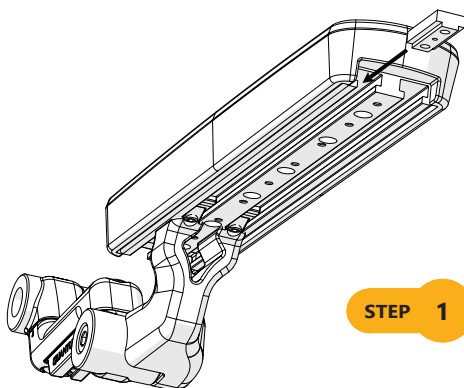
STEP 4



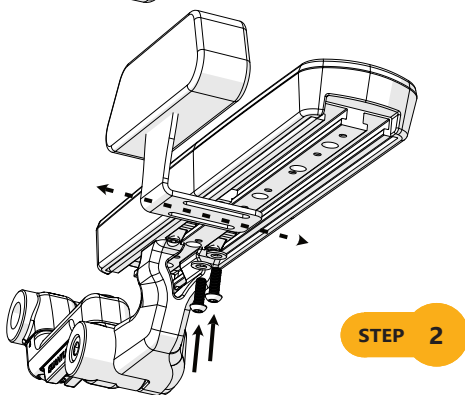
Installing the Optional Arm Stop

The **Arm Pad Stops** are adjustable supports that help prevent a user's arms from sliding off the side of the armrest, particularly during tilt and recline and while repositioning. By preventing the arms from sliding off the armrest, the **Arm Pad Stops** allow those with reduced arm function to reposition themselves independently, drive on bumpy terrain, and maintain control of their wheelchair. These Arm Pad Stops are best used in combination with an Elbow Stop to prevent the arm from sliding off the armrest.

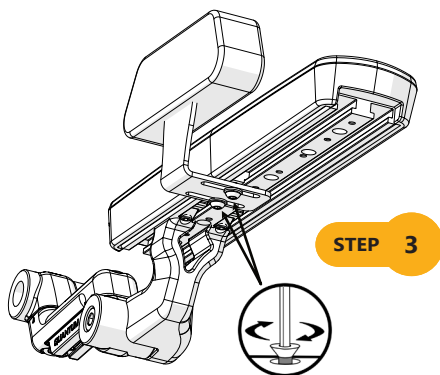
Step One: Remove any hardware from the arm rest rail that would hinder the insertion of the **Arm Pad Stop T-Nut**. Slide the T-Nut into position and reinstall the other hardware.



Step Two: Position the **Arm Pad Stop** bracket on the correct side of the arm rest and in alignment with the T-Nut. Thread the two screws through the bracket and into the T-Nut in the arm rest rail.



Step Three: Adjust the **Arm Pad Stop** to the correct position on the arm rest and tighten the two screws to secure it in position.



Dealer Assistance

During first-time use by the user, it is advised that the dealer or service technician not only assembles the product, but also explains the configuration of user positioning to the user (i.e., the user and or the attendant). If needed, the dealer can make final adjustments. We recommend the dealer assist the client in filling out the Supplier Reference block in the front of this manual to make sure they have correct contact information in the event usage conditions change or for repairs or part replacements.

User Testing

It is important that the customer is fully aware of the installation of the **UniLink Elbow Block** and/or the **Arm Stops**, how to use them, and how they can be adjusted to fit the client comfortably.

As a dealer, explain and show the customer how you have executed the installation and explain the function.

Have the user test the position of the **UniLink Elbow Block** and/or the **Arm Stops**.

- Is the hardware in the proper position for the client?
- Can all controls be operated safely and with minimal effort?

If needed, make any adjustments to the positioning. Explain possible problems to the customer and how to address them.

Conditions of Use

The **UniLink Elbow Block** and any accessories are intended for use as installed by the dealer, in accordance to the installation instructions in this manual.

Ensure the foreseen conditions of use are communicated by the dealer or service technician to the user and/or attendant during the first-time use.

If usage conditions change significantly, please contact your dealer or a qualified service technician to avoid unintended damage.

Cleaning

- Use a soft cloth to clean the hardware.
- Ensure all cleaners are approved for use on finished steel, aluminum, plastic, and upholstered surfaces.
- Hand or machine wash foam pad cover on delicate cycle with mild detergent, cool water and let dry.
- Foam pad should not get wet.



WARNING

Do not bleach.

Do not iron.

Do not hand wash in water temperatures above 160°F (70°C).

Do not machine dry.

Maintenance

Periodically check the hardware for loose screws or worn areas.

Check the pad/cover for any breakdown. If metal is protruding through the cover or foam, discontinue use immediately and replace the headrest.

Gently remove dust and dirt with a damp cloth.



CAUTION

Do not place any item between the chair user and the support surface of the seating system. Doing so may reduce product effectiveness and increase risk of injury.



© 2023, Stealth Products, LLC

Warranty Information



Home Page



Online User Manual



Stealth Products, LLC · info@stealthproducts.com · www.stealthproducts.com
(800) 965-9229 | (512) 715-9995 | 104 John Kelly Drive, Burnet, TX 78611