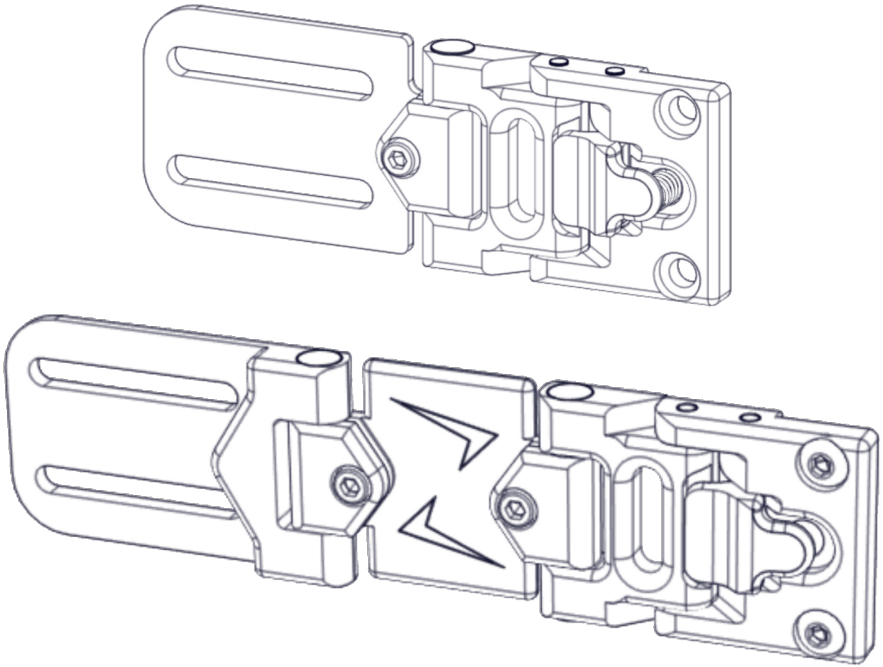


Stealth Products[®]



**Backs &
Support**



Thin Articulating Laterals

Owner's Manual - Maintenance Guide

Thin Articulating Laterals

Customer Satisfaction	i
Important Information.....	ii-iii
Warranty	ii
Supplier Reference.....	ii
Warning Labels.....	iii
Limited Liability.....	iii
Testing.....	iii
Design and Function	1-3
Intended Use.....	1
Features.....	1
Mounting.....	1
Components.....	2
Lateral Component Specifications.....	3
Installation Instructions	4-6
Preparations	4
Installation Plan.....	4
Tools	4
Required Tools.....	5
Standard Cane Mounting.....	5
Standard Track Mounting.....	6
Standard Planar Mounting	6
First Time Use	7
Dealer Assistance	7
User Testing	7
Conditions of Use.....	7
Cleaning and Maintenance	8-9
Cleaning	8
Disinfection.....	9
Maintenance.....	9
Notes	10

Stealth Products is committed to 100% customer satisfaction. Your complete satisfaction is important to us. Please contact us with feedback or suggestions to help us improve the quality and usability of our products.

You may reach us at:



Stealth Products, LLC

104 John Kelly Drive, Burnet, TX 78611

Phone: (512) 715-9995

Fax: (512) 715-9954

Toll Free: (800) 965-9229

Toll Free: (800) 806-1225

info@stealthproducts.com

www.stealthproducts.com



<p>EC REP</p> <p>MDSS GmbH Schiffgraben 41 30175 Hannover Germany</p>	<p>CH REP</p> <p>SODIMED SA Chemin Praz Devant 12 1032 Romanel sur-Lausanne Switzerland</p>	<p>UK Authorized Representative</p> <p>MDSS-UK RP 6 Wilmslow Road, Rusholme Manchester M14 5TP United Kingdom</p>
---	---	---

General

Read and understand all instructions prior to the use of the product. Failure to adhere to the instructions and warnings in this document may result in property damage, injury, or death. Product misuse or failure to follow instructions will void your warranty.

Immediately discontinue use if any function is compromised, if parts are missing or loose, or if any component shows signs of excessive wear. Consult with your supplier for repair, adjustment, or replacement.

All persons responsible for fitting, adjustment, and daily use of the devices discussed in these instructions must be familiar with and understand all safety aspects of the devices mentioned. In order for our products to be used successfully, you must read and understand all instructions on care and maintenance.

The installation instructions will guide you through this product's options and possibilities.

Instructions are written with the expressed intent of use with standard configurations. They also contain important safety and maintenance information, as well as describe possible problems that can arise during use. For further assistance, or more advanced applications, please contact your supplier or **Stealth Products** at (512) 715-9995 or toll free at (800) 965-9229.

Always keep the operating instructions in a safe place so they may be referenced as necessary.

All information, pictures, illustrations, and specifications are based on the product information that was available at the time of printing. Pictures and illustrations shown in these instructions are representative examples and are not intended to be exact depictions of the various parts of the product.

 **CAUTION**

These products are designed to be fitted, applied, and installed exclusively by a healthcare professional trained for these purposes. The fitting, application, and installation by a non-qualified individual could result in serious injury.

Warranty

Our products are designed, manufactured, and produced to the highest of standards. If any defect in material or workmanship is found, **Stealth Products** will repair or replace the product at our discretion. Any implied warranty, including the implied warranties of merchantability and fitness for a particular purpose, shall not extend beyond the duration of this warranty. **Stealth Products** does not warrant damage due to, but not limited to: misuse, abuse, or misapplication of product, and/or modification of product without written approval from **Stealth Products, LLC**. Any alteration or lack of serial number, where applicable, will automatically void this warranty.

Stealth Products, LLC is liable for replacement parts only. **Stealth Products, LLC** is not liable for any incurred labor costs.

Stealth Products warrants against failure due to defective materials or workmanship.

Covers: 2 years
Hardware: 5 years
Electronics: 3 years

In the event of a product failure covered by our warranty, please follow the procedures outlined below:

Call **Stealth Products** at (512) 715-9995 or toll free at (800) 965-9229.




Request a Return Authorization (RA) form from the Returns Department and follow the documentation instructions.

You can download additional copies of this manual by accessing the Stealth website (<https://stlpro.site/stealth-docs>) and searching "*Thin Articulating Laterals*" in the search bar at the top of the page.

Supplier Reference	
Supplier:	
Telephone:	
Address:	
Purchase Date:	
Model:	

Warning Labels

Warnings are included for the safety of the user, client, operator, and property. Please read and understand what the signal words **DANGER**, **WARNING**, **CAUTION**, **NOTICE**, and **SAFETY** mean, and how they could affect the user, those around the user, and property.

 DANGER	Identifies an imminent situation which, if not avoided, may result in severe injury, death, and property damage .
 WARNING	Identifies a potential situation which, if not avoided, may result in severe injury, death, and property damage .
 CAUTION	Identifies a potential situation which, if not avoided, may result in minor to moderate injury and property damage .
NOTICE	Identifies important information not related to injury, but possible property damage.
SAFETY	Indicates steps or instructions for safe practices, reminders of safe procedures, or important safety equipment that may be necessary.

Limited Liability

Stealth Products, LLC accepts no liability for personal injury or damage to property that may arise from the failure of a user or other persons to follow the recommendations, warnings, and instructions in this manual.

Stealth Products does not hold responsibility for final integration of final assembly of product to end user. **Stealth Products** is not liable for user death or injury.

Testing

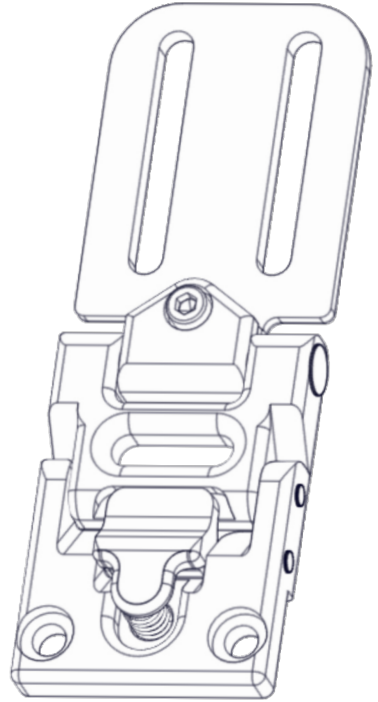
Initial setup and driving should be done in an open area free of obstacles until the user is fully capable of driving safely.

Intended Use

The **Thin Articulating Lateral** is intended for use as a low-profile, adjustable thoracic support attachment for both manual and power wheelchairs. The lateral's thin, lightweight design allows it to be used in limited-space scenarios unsuited for standard lateral support solutions.

A spring-loaded quick-release push latch allows the **Thin Articulating Lateral** to be swung 125° away from the user for easy care and transfer, while each joint of the lateral arm offers 200° of adjustability. Offered in both one- and two-point adjustment models, the lateral accommodates track, cane, planar, Tru Comfort, and All Seasons mounting options.

Fully customizable pads attach easily to the lateral, while slip covers conceal hardware and provide soft, smooth points of contact for users.



Features

The **Thin Articulating Lateral** features:

- a discreet, unobstructive design;
- one- and two-point adjustment configurations;
- 200° of adjustment at each point;
- multiple mounting styles and options;
- a quick-release lateral swing away latch; and,
- soft, non-abrasive hardware covers.

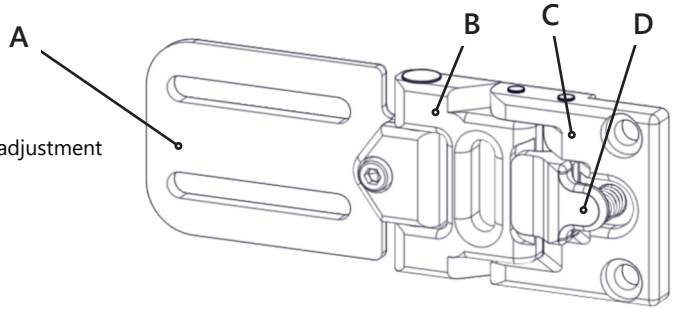
Mounting

The **Thin Articulating Lateral** can be mounted to both manual and power wheelchairs, and is compatible with cane, track, planar, Tru Comfort, and All Seasons mounting hardware.

Components

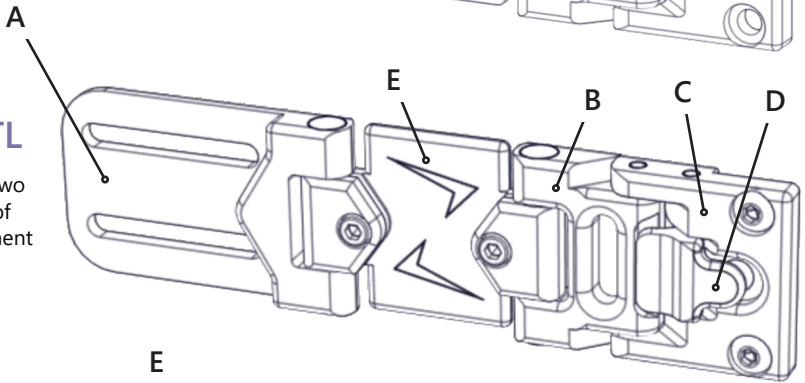
TWBTL

- Offers one point of adjustment



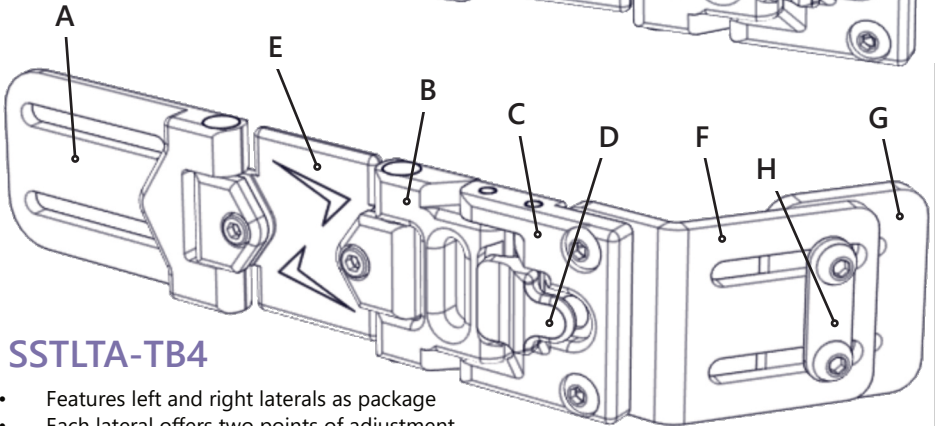
TWBSTL

- Offers two points of adjustment



SSTLTA-TB4

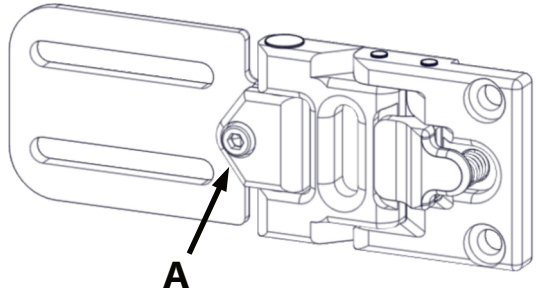
- Features left and right laterals as package
- Each lateral offers two points of adjustment
- Laterals include mounted lateral brackets, lateral mounting nuts, two hole washers.



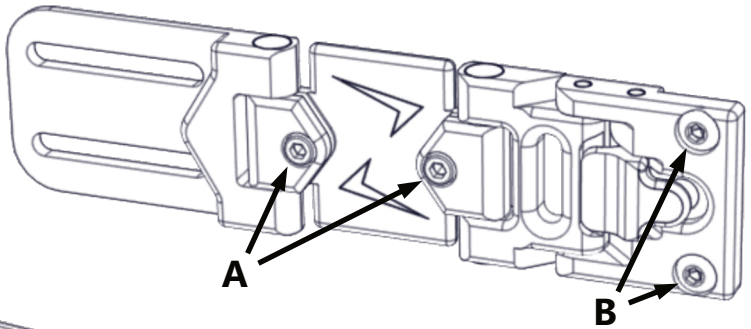
	Description
A	Pad Mount
B	Short Swing-Away Block
C	Latch Block
D	Quick-Release Thumb Latch
E	Multi-Adjustment Link
F	Lateral Bracket, 125°
G	Lateral Mounting Nut
H	Two-Hole Washer

Lateral Component Specifications

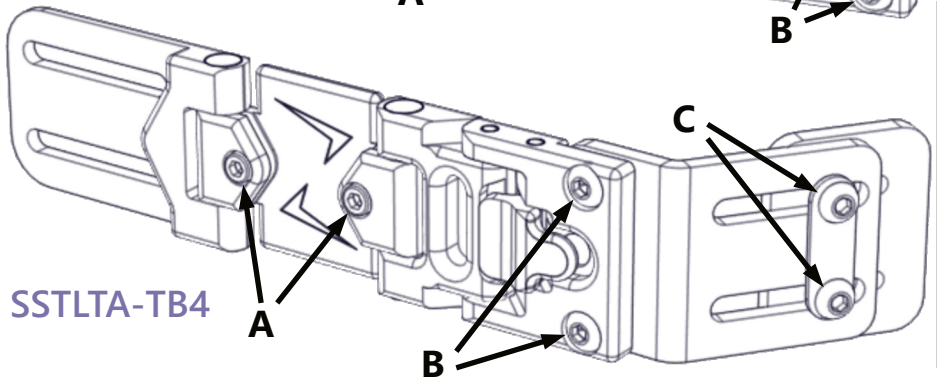
TWBTL



TWBSTL



SSTLTA-TB4



	Component	Tool Required:	Torque Specifications:
A	10-32 x 3/8" Socket Head Screws (4)	5/32 hex key	2.64 lb-ft
B	1/4-20 x 3/8" Button Head Screws (4)	5/32 hex key	6.3 lb-ft
C	M6 x 1 x 16mm Nylon Patch Button Head Screws (4)	4mm hex key	5.75 lb-ft

Preparations

Only a qualified service technician may install the Thin Articulating Laterals.



WARNING

Incorrectly installing a Thin Articulating Lateral may damage the hardware and/or injure the user.

Installation Plan

Set up an installation plan before beginning the installation. This plan should take into account:

- where the lateral(s) will be placed;
- how the lateral(s) will function; and,
- the space needed for sufficient clearance of other hardware and accessories.



CAUTION

Any connection must always be secured with all delivered screws. Use only the screws provided in the package.

Tools

Use the proper tools to install and adjust the lateral(s) to the desired position(s) for the user. Ensure all torque specifications are followed.



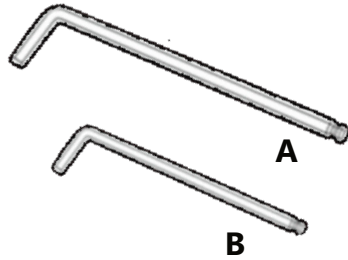
CAUTION

The use of improper tools may cause damage to the device. Insufficient tightening of fasteners can lead to component failure or discomfort for the user.

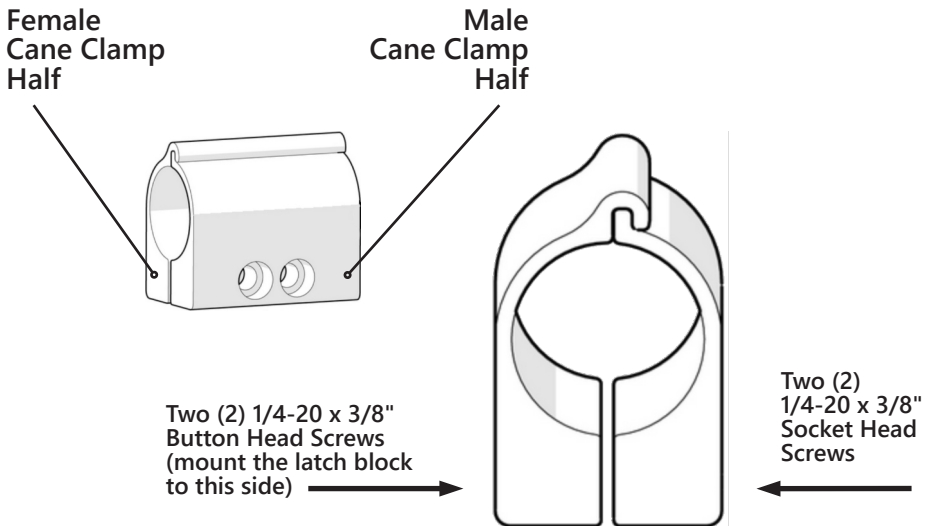
Required Tools

The tools needed to complete an installation are as follows:

- A. 5/32 hex key
- B. 4mm hex key



Standard Cane Mounting



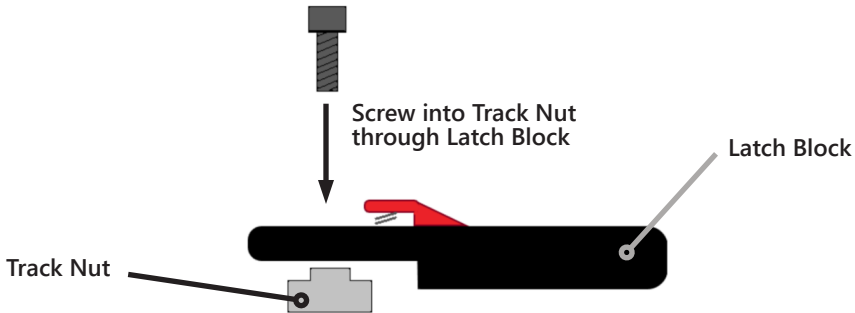
Step One: Identify the male cane clamp half and the female cane clamp half.

Step Two: Attach the lateral's latch block (C - pg. 2) to the female half of the cane clamp by inserting the two (2) 1/4-20 x 3/8" button head screws through the face of the latch block and into the female half of the cane clamp, as shown above.

Step Three: Attach the cane clamp to the cane by placing the male half of the cane clamp on the cane in the installation location. Place the groove of the other half of the cane clamp on the tab of the first half and swing the clamp halves together around the cane. Fasten them together with two (2) 1/4-20 x 3/4" socket head screws.

Standard Track Mounting

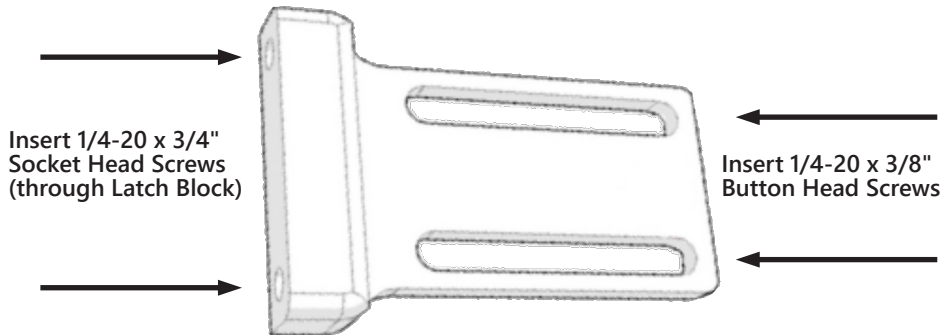
(**Note:** not all configurations are compatible with track mounting.)



Step One: Loosely attach the track nut to the lateral latch block by inserting the two socket head screws provided through the face of the latch block and into the track nut as pictured above.

Step Two: Slide the track nut into the corresponding groove in the track. Tighten the socket head screws to secure the assembly in position.

Standard Planar Mounting



Step One: Attach the planar mount to the lateral latch block by inserting the two (2) 1/4-20 x 3/4" socket head screws through the face of the latch block and into the planar mount. (The planar mount and the lateral latch block will be joined at a 90° angle.)

Step Two: Attach the assembly to the chair by inserting the two (2) 1/4-20 x 3/8" button head screws through the planar mount tracks and into the chair back mounting hardware.

Dealer Assistance

During first time use by the user, it is advised that the dealer or service technician not only assemble the product, but also explain the configuration and positioning to the user (i.e. the user and/or the attendant). If needed, the dealer may make final adjustments.



CAUTION

Thin Articulating Laterals should only be installed by a qualified healthcare professional.

User Testing

It is important that the customer is fully aware of the installation of the **Thin Articulating Laterals**, how to use them, and how they can be adjusted to fit the client comfortably. As a dealer, proceed as follows:

- Explain and show the customer how you have executed the installation and explain the function.

Have the user test the position of the **Thin Articulating Lateral**.

- Is the hardware in the proper position for the client?
- Can all controls be operated safely and with minimal effort?

If needed, make any adjustments to the positioning.

Explain to the customer possible problems and how to address them.

Conditions of Use

The **Thin Articulating Laterals** are intended for use as installed by the dealer, in accordance to the installation instructions of this manual.

- The foreseen conditions of use are communicated by the dealer or service technicians to the user and/or attendant during the first time use.
- If the conditions of use change significantly, please contact your dealer or a qualified service technician to avoid excessive wear and tear or unintended damage.

Cleaning

- If the lateral or cover requires cleaning, use a soft cloth dampened with a cleaner approved for finished steel, aluminum, plastic, and upholstered surfaces.
- Avoid soaking the cover through to the foam pad.
- Use a soft-bristled brush to remove dirt and debris from the zipper teeth.

To hand wash the pad covers:

- Uninstall the pad by removing the two button head screws securing it to the lateral.
- Remove the track from the pad by removing the two flat head screws securing it in place. The two track nuts located in the track can fall free of the track once it is uninstalled. Be careful not to lose them.
- Unzip the cover and remove it from the pad. Hand wash the cover in water temperatures lower than 160°F (70°C) and allow to drip dry.
- Replace the cover on the pad, ensuring that the holes in the cover align with the holes in the pad. Zip it closed, and install the track on the back of the pad with the two flat head screws.
- Install the pad to the lateral with the two button head screws.

Fabric care instructions can be found on the covers of the cushions and back.



WARNING

DO NOT bleach. DO NOT iron.
DO NOT machine wash or dry. Hand wash only in water temperatures lower than 160°F (70°C)



WARNING

Do not immerse foam in water
or allow it to soak up liquids.



CAUTION

Take care when removing the back not to puncture,
tear, or otherwise damage the fabric or foam.



CAUTION

Take care when zipping/unzipping the cover to
ensure nothing gets caught in the zipper path.

NOTICE

Improper installation or any alteration
of a lateral will void its warranty.

Disinfection

- Wipe cover and lateral gently with a cloth dampened with a household disinfectant.
- Allow the foam pad to air dry thoroughly prior to use.

Maintenance

These care and guideline instructions will keep the hardware and covers in good condition for a longer period of time and prevent damage.

- Check and tighten all fasteners on a regular basis.
- Check the pad/cover for any breakdown
- Repair or replace parts as needed.
- Gently remove dust and dirt from hardware with a damp cloth.



CAUTION

Always check all mounting hardware, making sure each fastener is properly tightened before using the lateral.

SAFETY

Repair or replace parts as needed.



CAUTION

Lateral has a 250 lb. (113.40 kg) user weight limit.

NOTICE

Improper installation or any alteration of a lateral will void its warranty.



© 2023, Stealth Products, LLC

Warranty Information



Home Page



Online User Manual



Stealth Products, LLC · info@stealthproducts.com · www.stealthproducts.com
(800) 965-9229 | (512) 715-9995 | 104 John Kelly Drive, Burnet, TX 78611