



Medial Thigh Support

Owner's Manual & Maintenance Guide

General Information i-ii

- Customer Satisfaction i
- Important i
- Warranty ii
- Supplier Reference..... ii

Warning Labels..... iii

- Warning Labels.....iii
- Limited Liability.....iii

Installation 1-2

- Abductor Pad (Pommel) Installation..... 1
- Fixed Mount Assembly..... 1
- Removable Mount Installation..... 2

Adjustment 3-5

- Height Adjustable Hardware 3
- Link-Type Hardware 3
- Swing-Away Hardware..... 4
- Modular Hardware..... 4
- UMPFSI100 Full Surface Contact..... 4
- MTMD-42 Adjustable Abductor Hardware..... 5

First-Time Use..... 6

- Dealer Assistance 6
- User Testing..... 6
- Conditions of Use 6

Cleaning and Maintenance 7

Notes 8-10

Stealth Products is committed to 100% customer satisfaction. Your complete satisfaction is important to us. Please contact us with feedback or suggestions to help us improve the quality and usability of our products.

You may reach us at:



Stealth Products, LLC

104 John Kelly Drive, Burnet, TX 78611

Phone: (512) 715-9995

Toll Free: (800) 965-9229

Fax: (512) 715-9954

Toll Free: (800) 806-1225

info@stealthproducts.com

www.stealthproducts.com



<p>EC REP</p> <p>MDSS GmbH Schiffgraben 41 30175 Hannover Germany</p>	<p>CH REP</p> <p>SODIMED SA Chemin Praz Devant 12 1032 Romanel sur-Lausanne Switzerland</p>	<p>UK Authorized Representative</p> <p>MDSS-UK RP 6 Wilmslow Road, Rusholme Manchester M14 5TP United Kingdom</p>
--	--	--

General

Read and understand all instructions prior to the use of the product. Failure to adhere to instructions and warnings in this document may result in property damage, injury, or death. Product misuse or failure to follow instructions will void the warranty.

Immediately discontinue use if any function is compromised, if parts are missing or loose, or if any component shows signs of excessive wear. Consult with your supplier for repair, adjustment, or replacement.

All persons responsible for fitting, adjustment, and daily use of the devices discussed in these instructions must be familiar with and understand all safety aspects of the devices mentioned. In order for our products to be used successfully, you must read and understand all instructions and warnings, and maintain our products according to our instructions on care and maintenance.

The installation instructions will guide you through this product's options and possibilities.

Instructions are written with the expressed intent of use with standard configurations. They also contain important safety and maintenance information, as well as describe possible problems that can arise during use. For further assistance, or more advanced applications, please contact your supplier or **Stealth Products** at (512) 715-9995 or toll free at (800) 965-9229.

Always keep the operating instructions in a safe place so they may be referenced as necessary.

All information, pictures, illustrations, and specifications are based on the product information that was available at the time of printing. Pictures and illustrations shown in these instructions are representative examples and are not intended to be exact depictions of the various parts of the product.

Important Information

CAUTION

These products are designed to be fitted, applied, and installed exclusively by a healthcare professional trained for these purposes. The fitting, application, and installation by a non-qualified individual could result in serious injury.

Warranty

Our products are designed, manufactured, and produced to the highest of standards. If any defect in material or workmanship is found, **Stealth Products** will repair or replace the product at our discretion. Any implied warranty, including the implied warranties of merchantability and fitness for a particular purpose, shall not extend beyond the duration of this warranty. **Stealth Products** does not warrant damage due to, but not limited to: Misuse, abuse, or misapplication of product, and/or modification of product without written approval from **Stealth Products, LLC**. Any alteration or lack of serial number, where applicable, will automatically void all warranty.

Stealth Products, LLC is liable for replacement parts only. **Stealth Products, LLC** is not liable for any incurred labor costs.

Stealth Products warrants against failure due to defective materials or workmanship:

Covers: 2 years
Hardware: 5 years
Electronics: 3 years

In the event of a product failure covered by our warranty, please follow the procedures outlined below:

Call **Stealth Products** at (512) 715-9995 or toll free at (800) 965-9229.

Request a Return Authorization (RA) form from the Returns Department and follow the documentation instructions.

You can download additional copies of this manual by accessing the Stealth website (www.stlpro.site/stealth-docs) and searching "Medial Thigh Support" in the search bar at the top of the page.

Supplier Reference

Supplier:	
Telephone:	
Address:	
Purchase Date:	
Model:	

Warning Labels

Warnings are included for the safety of the user, client, operator, and property. Please read and understand what the signal words **DANGER**, **WARNING**, **CAUTION**, **NOTICE**, and **SAFETY** mean, and how they could affect the user, those around the user, and property.

DANGER

Identifies an **imminent** situation which, if not avoided, may result in **severe injury, death, and property damage**.

WARNING

Identifies a **potential** situation which, if not avoided, may result in **severe injury, death, and property damage**.

CAUTION

Identifies a **potential** situation which, if not avoided, may result in **minor to moderate injury and property damage**.

NOTICE

Identifies important information not related to injury, but possible **property damage**.

SAFETY

Indicates steps or instructions for safe practices, reminders of safe procedures, or important safety equipment that may be necessary.

Limited Liability

Stealth Products, LLC accepts no liability for personal injury or damage to property that may arise from the failure of the user or other persons to follow the recommendations, warnings, and instructions in this manual.

Stealth Products does not hold responsibility for final integration of final assembly of product to end user. **Stealth Products** is not liable for user death or injury.

Testing

Initial setup and driving should be done in an open area free of obstacles until the user is fully capable of driving safely.

Abductor Pad (Pommel) Installation

Applies to the following abductors:



MTMD-12 (S)
MTMD-13 (M)
MTMD-14 (L)
MTMD-19 (CUSTOM)



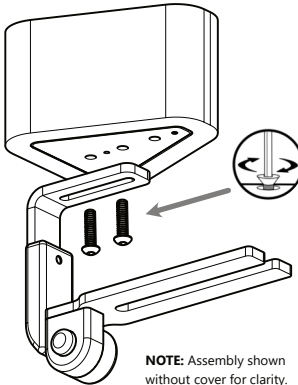
MTMD-21 (XS)
MTMD-22 (S)
MTMD-23 (M)
MTMD-24 (L)
MTMD-29 (CUSTOM)



MTMD-32 (S)
MTMD-33 (M)
MTMD-34 (L)
MTMD-39 (CUSTOM)



MTMD-41 (S)
MTMD-42 (M)
MTMD-43 (L)



NOTE: Assembly shown without cover for clarity.

Your Medial Thigh Support may have been pre-assembled at the factory. If this is not the case, please follow the instructions below. Installation of the pommel is the same for all models.

Open the hook and loop flap located on the bottom of the pommel. Select the proper orientation and mounting holes for your installation. Insert the included button head cap screws through the slot in the adjustable riser of the medial support hardware and into the mounting holes.

Tighten the screws sufficiently to secure the pommel to the hardware. Be careful not to overtighten the screws. Secure the flaps over the riser hardware with the hook and loop strips.

Fixed Mount Installation



UMS0622800



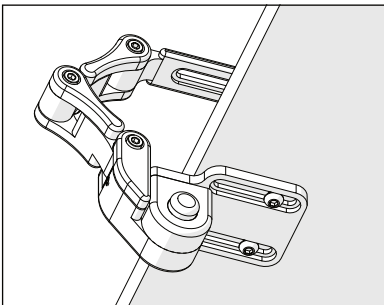
MTHW640



MTHW650



MTHW660



Mounting the fixed hardware:

1. Locate the t-nuts in the bottom of the seat.
2. Line up the slots in the fixed bracket with the two corresponding rows of t-nuts in the bottom of the seat.
3. Insert the two M6 x 1.0 x 12mm Socket Head Screws into the designated holes and tighten with a 4mm hex key.

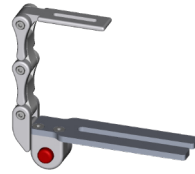
Removable Mount Installation



MTHW600



MTHW610



UMS0522800

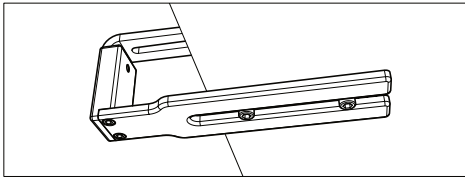


Figure A: The two screws are guides for the support.

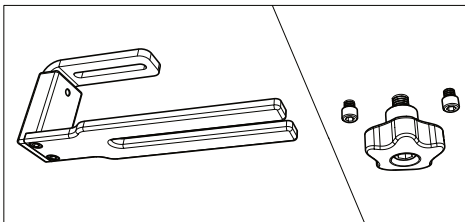


Figure B: The center hole is larger than the other two.

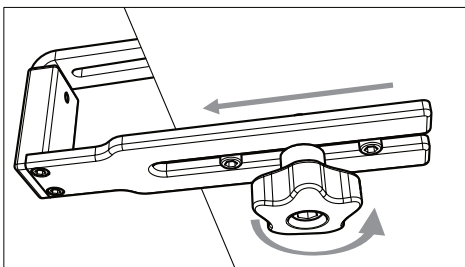


Figure C: Turn the knob counter-clockwise to remove the medial thigh support. Turn clockwise to tighten.

Mounting the removable hardware:

1. Locate the center row of t-nuts in the bottom of the seat. Insert the two 1/4-20 Socket Head Screws into the front and rear holes (Fig. A) and tighten with a 3/16" hex key (these screws are only to prevent rotation of the bracket). Leave the center hole open for the installation of the knob in the next step.
2. Thread the 5/16-18 Socket Head Screw into the knob if it is not already threaded into it. Twist it until it is about half way through the knob.
3. Apply red thread locker to 4-5 threads at the tip of the 5/16-18 Socket Head Screw (knob), and thread it loosely into the t-nut in the seat. Allow enough room between the base of the knob and the seat for the support bracket to slide easily. Make sure there is no excess thread locker on the screw or knob and allow it to cure according to the directions on the package. Once cured, slide the support bracket into position and lock it in place by turning the knob clockwise. (Fig. C)

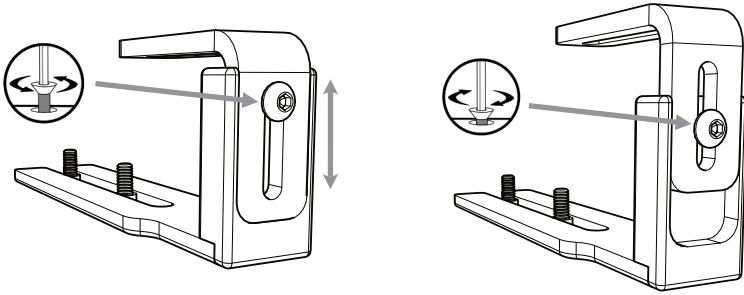
NOTICE

Be sure not to overtighten screws.

Making Adjustments

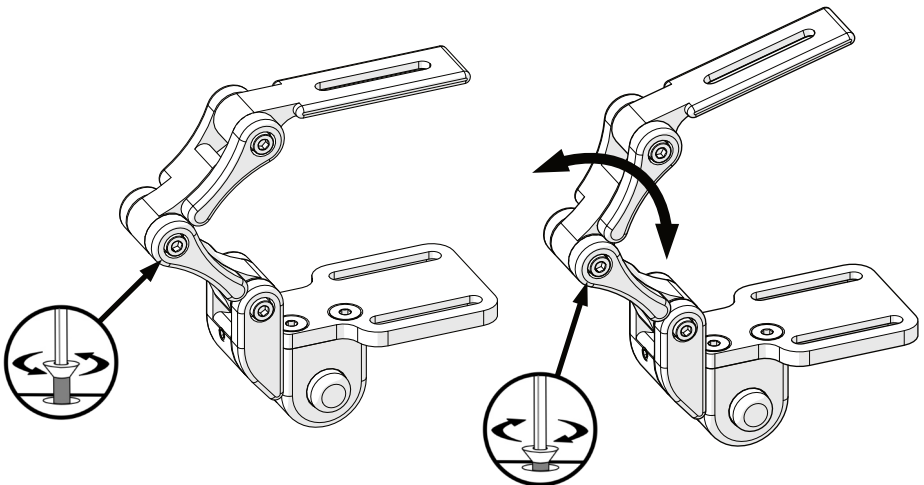
Height Adjustable Hardware

To raise or lower the pommel using height-adjustable hardware, loosen the button head cap screw securing the bracket, adjust its height, and tighten the screw to secure the pommel in position.

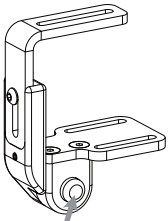


Link-type Hardware

To raise or lower the pommel using link-type hardware, loosen the screw at the fulcrum of the angle you wish to change. Adjust the angle and tighten the screw to secure the position of the pommel.



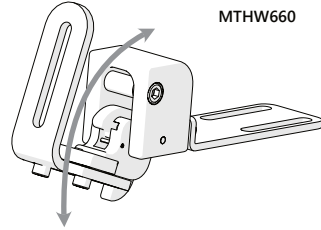
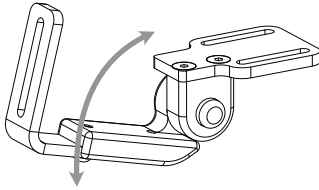
Swing Away Hardware



A

MTHW610
UMS622800
UMS522800
MTHW640

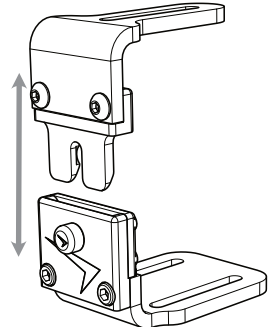
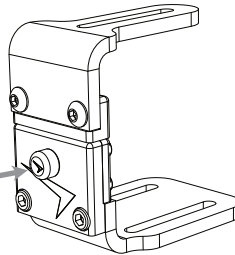
Press the red button (A) and push the pad away from you. It will swing forward and down out of the way for transfers or other needs. Lift it back into the upright position and it will lock in place.



Modular Hardware

Press the red button (A) and lift the pad up away from the seat. It will lift free and out of the way for transfers or other needs. Replace the tab in the slot and it will lock in place.

A

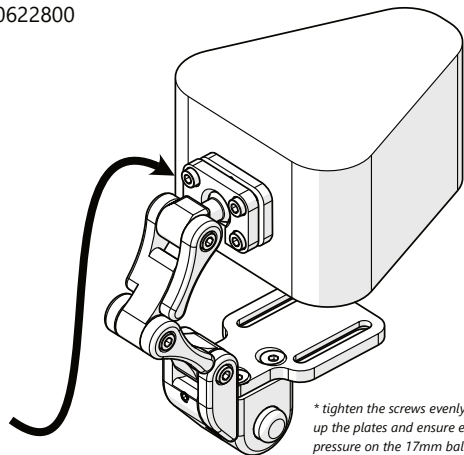


MTMD-613 Full Surface Contact

compatible with UMS0522800 & UMS0622800

The Full Surface Contact feature for medial thigh support includes a ball mount for the medial pad allowing for support on an adjustable 360° axis. The ball mount allows for movement and rotation on an axis, and provides excellent adjustability. The Full Surface Contact connects directly to the links with Stealth's 17mm ball mount.

The Full Surface Contact feature allows rotational adjustment, as well as limited angle and lateral fine tuning. Loosen the four screws evenly, turn to the desired position, and tighten* to secure.



* tighten the screws evenly to line up the plates and ensure even pressure on the 17mm ball.

MTMD-42 Adjustable Abductor

Stealth's adjustable medial pad allows adjustment in multiple angles and planes. It comes standard with dual 3" x 5" pads and slip cover.

The **MTMD-42** mounts onto a height adjustable mounting bracket. (linking hardware does not utilize this bracket)

When mounting on linking hardware, the **MTMD-42** utilizes an adapter like the one pictured to the right to attach to the links.

The pads connect to the planar mount with tracks and track nuts. This allows the pads to be adjusted forward or rearward on the planar mount.

The height and depth are adjustable, and the angle of the pads can be adjusted independently to meet most asymmetrical medial positioning needs.

Making Adjustments:

To adjust the pad on the planar mount, loosen the two screws that secure the pad to the mount. Slide the pad to the new position and tighten the two screws.

To adjust the angle of the abductor pads, loosen the screw located at the pivot point of the two pads. Move each pad into its new position, and tighten the screw to secure the new angles.

To adjust the depth of the pommel, loosen the two screws that secure the abductor to the mount and move it to the desired position. Tighten the screws to lock in the new setting.

To adjust the height of the hardware, follow the instructions for "Height Adjustable Hardware" located earlier in this manual.

As in all cases, be careful not to overtighten screws.

Compatible with MTHW-600,
MTHW-610, & MTHW-620

This adjustment screw allows the
angle of the pads to be changed.



Dealer Assistance

During first-time use by the user, it is advised that the dealer or service technician not only assembles the product, but also explains the configuration of user positioning to the user (i.e., the user and or the attendant). If needed, the dealer can make final adjustments.

User Testing

It is important that the customer is fully aware of the installation of the **Medial Thigh Support**, how to use it, and how it can be adjusted to fit the client comfortably. As a dealer, explain and show the customer how you have executed the installation and explain the function.

Have the user test the position of the **Medial Thigh Support**.

- Is the hardware in the proper position for the client?
- Can all controls be operated safely and with minimal effort?

If needed, make any adjustments to the positioning. Explain possible problems to the customer and how to address them.

Conditions of Use

The **Medial Thigh Support** is intended for use as installed by the dealer, in accordance to the installation instructions in this manual.

Ensure the foreseen conditions of use are communicated by the dealer or service technician to the user and/or attendant during the first-time use.

If usage conditions change significantly, please contact your dealer or a qualified service technician to avoid unintended damage.

Cleaning

Periodically clean fabric surfaces with a damp cloth to remove dirt and debris.

For minor stains, scrub aluminum with water and use a brush or sponge. For more serious stains, use an abrasive sponge with a gentle household cleaner or glass cleaner.

Maintenance

Periodically check the hardware for loose screws or worn parts. Check the pommel pad for any foam breakdown and/or metal coming through the foam. This could be potentially dangerous for the client. To wash the cover, remove the foam from the medial hardware. Machine wash in cold water, delicate cycle, and drip dry.

It may be required to tighten the set screw if the swing away mechanism is loose. If the hardware unintentionally swings away or does not lock into place when put in the operating position, the set screw will need to be loosened.



© 2023, Stealth Products, LLC

Warranty Information



Home Page



Online User Manual



Stealth Products, LLC · info@stealthproducts.com · www.stealthproducts.com
(800) 965-9229 | (512) 715-9995 | 104 John Kelly Drive, Burnet, TX 78611