

Stealth Products[®]



**Upper Torso
Support**



i2i Upper Torso Support System

Owner's Manual - Maintenance Guide
i2i Upper Torso Support System



Customer Satisfaction i

Important Information ii-iii

 Warranty ii

 Supplier Reference..... ii

 Warning Labels..... iii

 Limited Liability..... iii

 Testing iii

Design and Function 1-2

 Intended Use..... 1

 Indications of Use 1

 Fitting the i2i 1

 Chin Prompt 2

 Placement of the Chin Prompt 2

 Fitting the Chin Prompt..... 2

Installation Instructions 3

 Mounting the i2i to Link Hardware 3

First-Time Use 4

 Dealer Assistance 4

 User Testing 4

 Conditions of Use 4

Care and Maintenance 5

 Safety 5

 Cleaning..... 5

Notes 6

Stealth Products is committed to 100% customer satisfaction. Your complete satisfaction is important to us. Please contact us with feedback or suggestions to help us improve the quality and usability of our products.

You may reach us at:



Stealth Products, LLC

104 John Kelly Drive, Burnet, TX 78611

Phone: (512) 715-9995

Fax: (512) 715-9954

Toll Free: (800) 965-9229

Toll Free: (800) 806-1225

info@stealthproducts.com

www.stealthproducts.com



<p>EC REP</p> <p>MDSS GmbH Schiffgraben 41 30175 Hannover Germany</p>	<p>CH REP</p> <p>SODIMED SA Chemin Praz Devant 12 1032 Romanel sur-Lausanne Switzerland</p>	<p>UK Authorized Representative</p> <p>MDSS-UK RP 6 Wilmslow Road, Rusholme Manchester M14 5TP United Kingdom</p>
---	---	---

General

Read and understand all instructions prior to the use of the product. Failure to adhere to instructions and warnings in this document may result in property damage, injury, or death. Product misuse or failure to follow instructions will void the warranty.

Immediately discontinue use if any function is compromised, if parts are missing or loose, or if any component shows signs of excessive wear. Consult with your supplier for repair, adjustment, or replacement.

All persons responsible for fitting, adjustment, and daily use of the devices discussed in these instructions must be familiar with and understand all safety aspects of the devices mentioned. In order for our products to be used successfully, you must read and understand all instructions and warnings, and maintain our products according to our instructions on care and maintenance.

The installation instructions will guide you through this product's options and possibilities.

Instructions are written with the expressed intent of use with standard configurations. They also contain important safety and maintenance information, as well as describe possible problems that can arise during use. For further assistance, or more advanced applications, please contact your supplier or **Stealth Products** at (512) 715-9995 or toll free at (800) 965-9229.

Always keep the operating instructions in a safe place so they may be referenced as necessary.

All information, pictures, illustrations, and specifications are based on the product information that was available at the time of printing. Pictures and illustrations shown in these instructions are representative examples and are not intended to be exact depictions of the various parts of the product.

Important Information



These products are designed to be fitted, applied, and installed exclusively by a healthcare professional trained for these purposes. The fitting, application, and installation by a non-qualified individual could result in serious injury.

Warranty

Our products are designed, manufactured, and produced to the highest of standards. If any defect in material or workmanship is found, Stealth Products will repair or replace the product at our discretion. Any implied warranty, including the implied warranties of merchantability and fitness for a particular purpose, shall not extend beyond the duration of this warranty. **Stealth Products** does not warrant damage due to, but not limited to: misuse, abuse, or misapplication of product, and/or modification of product without written approval from **Stealth Products, LLC**. Any alteration or lack of serial number, where applicable, will automatically void all warranty.

Stealth Products, LLC is liable for replacement parts only. **Stealth Products, LLC** is not liable for any incurred labor costs.

Stealth Products warrants against failure due to defective materials or workmanship:

Covers: 2 years
Hardware: 5 years
Electronics: 3 years

In the event of a product failure covered by our warranty, please follow the procedures outlined below:

Call **Stealth Products** at (512) 715-9995 or toll free at (800) 965-9229.

Request a Return Authorization (RA) form from the Returns Department and follow the documentation instructions.

Additional warranty information may be found by visiting the website at <https://stlpro.site/returns-n-warranty>. Copies of this manual may be downloaded by accessing the Stealth website (<https://stlpro.site/stealth-docs>) and searching "P91D654" in the search bar at the top of the page.

Supplier Reference	
Supplier:	
Telephone:	
Address:	
Purchase Date:	
Model:	

Warning Labels

Warnings are included for the safety of the user, client, operator, and property. Please read and understand what the signal words **DANGER**, **WARNING**, **CAUTION**, **NOTICE**, and **SAFETY** mean, and how they could affect the user, those around the user, and property.



DANGER

Identifies an **imminent** situation which, if not avoided, may result in **severe injury, death, and property damage**.



WARNING

Identifies a **potential** situation which, if not avoided, may result in **severe injury, death, and property damage**.



CAUTION

Identifies a **potential** situation which, if not avoided, may result in **minor to moderate injury and property damage**.

NOTICE

Identifies important information not related to injury, but possible **property damage**.

SAFETY

Indicates steps or instructions for safe practices, reminders of safe procedures, or important safety equipment that may be necessary.

Limited Liability

Stealth Products, LLC accepts no liability for personal injury or damage to property that may arise from the failure of the user or other persons to follow the recommendations, warnings, and instructions in this manual.

Stealth Products does not hold responsibility for final integration of final assembly of product to end user. **Stealth Products** is not liable for user death or injury.

Testing

Initial setup and driving should be done in an open area free of obstacles until the user is fully capable of driving safely.

Intended Use

The use of an upper torso support is part of a complete seating intervention and should be informed by the findings of a seating assessment to address the client's individual needs.

The **i2i** is designed to :

- Help maintain overall positioning goals.
- Assist in slowing the progression of cervical deformities. Unsupported positions may become fixed.
- Assist the client to maintain an upright torso position and eye contact.
- Improve the user's mealtime experience and saliva management.

Indications of Use

The potential users fall into two groups:

- Those lacking strength needed to maintain upper body and neck positioning for extended amounts of time.
- Those with a high degree of extensor tone, but poor neck control. This often leads to the client hyperextending into a position under or to the side of a headrest and often requires intervention by the caregiver.

Goals:

- The users in the first group above require ample support in all directions, but primarily anterior support.
- The users in the second group require a system that offers enough lateral and posterior support to invite them back to a mid-line position when they extend their necks. This has the added benefit of relieving worry about becoming caught or tangled with headrest equipment or having a surface behind the occiput that may provide the perfect spot to push off into neck hyperextension.

Fitting the i2i

It is recommended that the framework of the **i2i** follow the contour of the neck, shoulders and chest.

- There should be approximately 1/4" to 1/2" of clearance between the neck positioning pad and the user's body.
- Adjust the neck positioning pad to the user's specifications, needs, and comfort. The anterior stabilizer arms can be bent or molded to improve individual fit.

NOTICE

If a client is shunted, consult their physician if you feel there may be any compression or interference with the shunt before using the i2i.

Chin Prompt

The **Chin Prompt** is to be used only with direct supervision. It is intended to be used only as a therapeutic tool, or for additional assistance for feeding, communication, therapy, and limited periods of time to increase the user's ability to attend to an activity.



CAUTION

The **Chin Prompt** should only be prescribed and fitted by a qualified health professional.



WARNING

The **Chin Prompt** is *NEVER* to be left in place as a full-time positioning device.
Do not use the **Chin Prompt** during transport.

Placement of the Chin Prompt

The placement of the **Chin Prompt** needs to be determined on an individual basis.

- If the client requires maximum assistance to maintain the head and neck in an upright position, the prompt would be placed in direct contact with the chin while the head is in neutral position.
- To use the prompt therapeutically, lower the prompt to allow for active neck extension with a limited range. As the client gets stronger, gradually lower placement of the prompt or remove the prompt.

Fitting the Chin Prompt

If the client requires less assistive support from the prompt, place the prompt just below the chin, using it as a boundary to limit the amount of neck flexion into which the client might otherwise lapse.

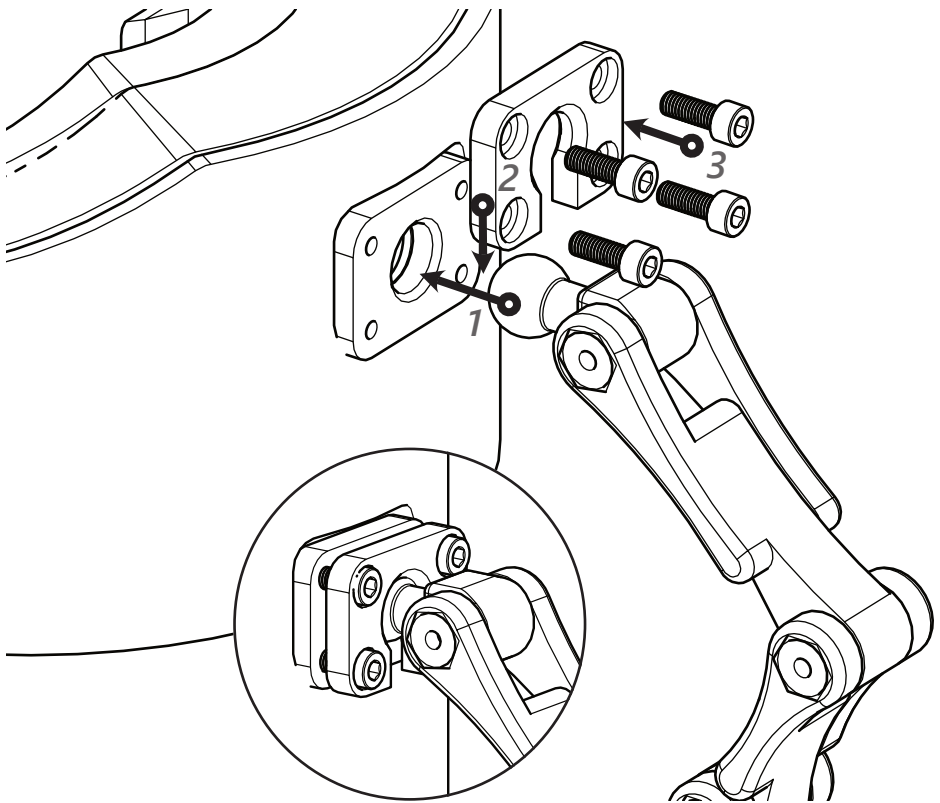
1. The curved part of the **Chin Prompt** faces the neck.
2. Place the chin prompt in between the anterior stabilizing arms at the desired height.
3. Wrap the right side strap around the arm and attach it to the hook and loop on the **Chin Prompt**.
4. Wrap the left side strap around the arm and attach it to the hook and loop on the **Chin Prompt**.
5. Wrap the **Chin Prompt** cover over the installed **Chin Prompt** and attach with the hook and loop facing away from the client.



Mounting the i2i to Link Hardware

To mount the **i2i** to the hardware:

1. Place the 17mm ball of the mounting hardware into the mounting socket in the rear of the **i2i**.
2. Place the split ring over the shaft behind the ball with the split section facing down and insert the four socket head screws through the ring and into the threaded holes in the rear of the **i2i** mounting point.
3. Tighten screws evenly with a hex key, making sure to keep the split ring parallel with the mounting socket plate on the **i2i**. Do not overtighten.



NOTICE

For full instructions on installation of the mounting hardware to the chair, please consult the manual included with the mounting hardware.

Dealer Assistance

During first time use by the client, it is advised that the dealer or service technician assists and explains the different drive configurations to the customer (the user and/or the attendant). If needed, the dealer can make final adjustments.

NOTICE

After installation of the **i2i**, check that the hardware is intact, that nothing is damaged, that the wheelchair operating system is still fully functional.

User Testing

It is important that the customer is fully aware of the installation, how the **i2i and Chin Prompt** function, and how they can be adjusted to gain as much mobility as possible. As a dealer, explain and show the customer how you have executed the installation and explain the function.

Have the user test the position of the **i2i and Chin Prompt** (if needed):

- Is the client properly positioned in the seating system?
- Is the placement of the **i2i and Chin Prompt** in an optimal position for the user?
- Can the user safely operate the chair?

If needed, adjust the **i2i and Chin Prompt** to the proper position.

Explain to the customer possible issues and how to address them.

Conditions of Use

The **i2i and Chin Prompt** is intended for use as installed by the dealer, in accordance to the installation instructions in this manual:

- The foreseen conditions of use are communicated by the dealer or service technician to the user and/or attendant during the first time use.
- If the conditions of use change significantly, please contact your dealer or a qualified service technician to avoid excessive wear and tear or unintended damage.

Safety

- Periodically check the hardware for loose screws or worn parts.
- Check the pads for any foam breakdown and/or metal coming through the foam. This could be potentially dangerous to the client.

SAFETY

Repair or replace parts as necessary



DANGER

Failure to comply with the warnings in this manual could result in serious bodily harm.



WARNING

Using a headrest without the covers in place can lead to discomfort for the user and excess wear on the pad foam.

Cleaning

To wash the i2i cover:

- Remove the cover from the i2i
- Machine wash the cover in cold water on delicate cycle and drip dry.
- Do not allow the foam to get wet.
- Do not use the i2i without the cover in place.

To wash sheepskin covers:

- Remove the cover from the i2i
- Machine wash in cold water on delicate cycle (or dry clean), and dry.
- Do not allow the foam to get wet.



WARNING

DO NOT use bleach. **DO NOT** iron.
Do not wash or dry in temperatures in excess of 176°F (80°C).



© 2023, Stealth Products, LLC

Warranty Information



Home Page



Online User Manual



Stealth Products, LLC · info@stealthproducts.com · www.stealthproducts.com
(800) 965-9229 | (512) 715-9995 | 104 John Kelly Drive, Burnet, TX 78611