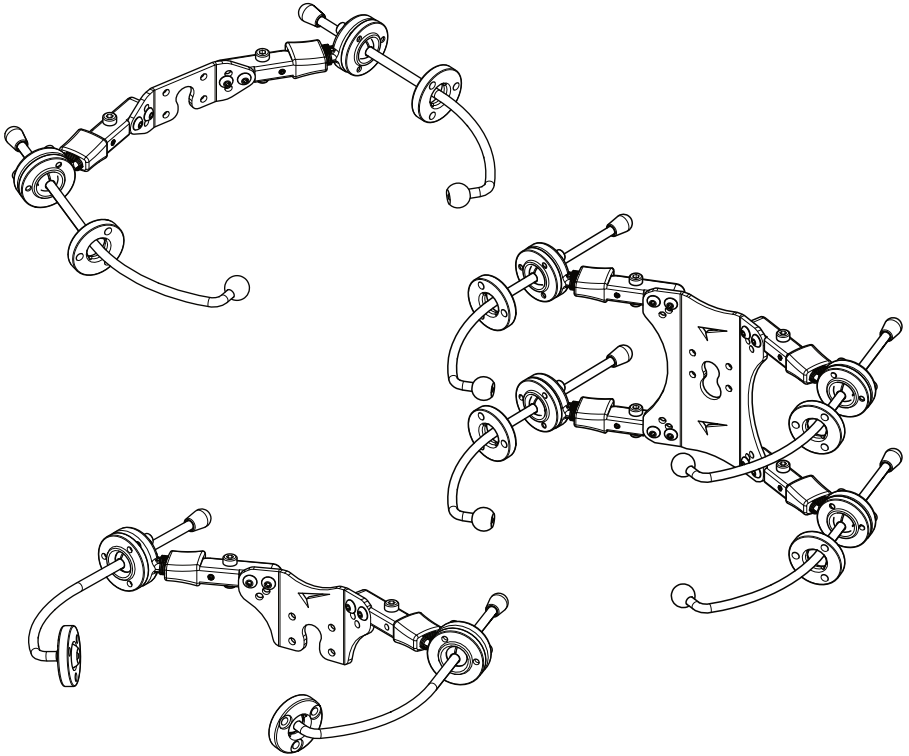


**Stealth Products**<sup>®</sup>



**Head Support  
Hardware**



## **Swing Away Hardware**

---

Owner's Manual - Maintenance Guide  
Swing Away Accessory System

## Table of Contents

<b>Customer Satisfaction .....</b>	<b>1</b>
<b>Important Information .....</b>	<b>2-3</b>
Warranty .....	2
Supplier Reference.....	2
Warning Labels.....	3
Limited Liability.....	3
Testing .....	3
<b>Design and Function .....</b>	<b>4</b>
Intended Use.....	4
Features.....	4
<b>Installation Instructions .....</b>	<b>5-7</b>
Installing the Swing Away Hardware .....	5
Installing a Facial Lateral Pad.....	6
Adjusting the Lateral Rod .....	7
Swing Away Operation.....	7
<b>First-Time Use.....</b>	<b>8</b>
Dealer Assistance .....	8
User Testing.....	8
Conditions of Use .....	8
<b>Care and Maintenance .....</b>	<b>9</b>
Safety .....	9
Cleaning.....	9

**Stealth Products** is committed to 100% customer satisfaction. Your complete satisfaction is important to us. Please contact us with feedback or suggestions to help us improve the quality and usability of our products.

You may reach us at:



**Stealth Products, LLC**

104 John Kelly Drive, Burnet, TX 78611

Phone: (512) 715-9995

Fax: (512) 715-9954

Toll Free: (800) 965-9229

Toll Free: (800) 806-1225

info@stealthproducts.com

www.stealthproducts.com



<p><b>EC REP</b></p> <p><b>MDSS GmbH</b> Schiffgraben 41 30175 Hannover Germany</p>	<p><b>CH REP</b></p> <p><b>SODIMED SA</b> Chemin Praz Devant 12 1032 Romanel sur-Lausanne Switzerland</p>	<p><b>UK Authorized Representative</b></p> <p><b>MDSS-UK RP</b> 6 Wilmslow Road, Rusholme Manchester M14 5TP United Kingdom</p>
---	---	---

## General

Read and understand all instructions prior to the use of the product. Failure to adhere to instructions and warnings in this document may result in property damage, injury, or death. Product misuse or failure to follow instructions will void the warranty.

Immediately discontinue use if any function is compromised, if parts are missing or loose, or if any component shows signs of excessive wear. Consult with your supplier for repair, adjustment, or replacement.

All persons responsible for fitting, adjustment, and daily use of the devices discussed in these instructions must be familiar with and understand all safety aspects of the devices mentioned. In order for our products to be used successfully, you must read and understand all instructions and warnings, and maintain our products according to our instructions on care and maintenance.

The installation instructions will guide you through this product's options and possibilities.

Instructions are written with the expressed intent of use with standard configurations. They also contain important safety and maintenance information, as well as describe possible problems that can arise during use. For further assistance, or more advanced applications, please contact your supplier or **Stealth Products** at (512) 715-9995 or toll free at (800) 965-9229.

Always keep the operating instructions in a safe place so they may be referenced as necessary.

All information, pictures, illustrations, and specifications are based on the product information that was available at the time of printing. Pictures and illustrations shown in these instructions are representative examples and are not intended to be exact depictions of the various parts of the product.

## Important Information



These products are designed to be fitted, applied, and installed exclusively by a healthcare professional trained for these purposes. The fitting, application, and installation by a non-qualified individual could result in serious injury.

## Warranty

Our products are designed, manufactured, and produced to the highest of standards. If any defect in material or workmanship is found, Stealth Products will repair or replace the product at our discretion. Any implied warranty, including the implied warranties of merchantability and fitness for a particular purpose, shall not extend beyond the duration of this warranty. **Stealth Products** does not warrant damage due to, but not limited to: misuse, abuse, or misapplication of product, and/or modification of product without written approval from **Stealth Products, LLC**. Any alteration or lack of serial number, where applicable, will automatically void all warranty.

**Stealth Products, LLC** is liable for replacement parts only. **Stealth Products, LLC** is not liable for any incurred labor costs.

**Stealth Products** warrants against failure due to defective materials or workmanship:

**Covers: 2 years**  
**Hardware: 5 years**  
**Electronics: 3 years**

In the event of a product failure covered by our warranty, please follow the procedures outlined below:

Call **Stealth Products** at (512) 715-9995 or toll free at (800) 965-9229.

Request a Return Authorization (RA) form from the Returns Department and follow the documentation instructions.

Additional warranty information may be found by visiting the website at <https://stlpro.site/returns-n-warranty>. Copies of this manual may be downloaded by accessing the Stealth website (<https://stlpro.site/stealth-docs>) and searching "P91D655" in the search bar at the top of the page.

### Supplier Reference

<b>Supplier:</b>	
<b>Telephone:</b>	
<b>Address:</b>	
<b>Purchase Date:</b>	
<b>Model:</b>	

## Warning Labels

Warnings are included for the safety of the user, client, operator, and property. Please read and understand what the signal words **DANGER**, **WARNING**, **CAUTION**, **NOTICE**, and **SAFETY** mean, and how they could affect the user, those around the user, and property.



### **DANGER**

Identifies an **imminent** situation which, if not avoided, may result in **severe injury, death, and property damage**.



### **WARNING**

Identifies a **potential** situation which, if not avoided, may result in **severe injury, death, and property damage**.



### **CAUTION**

Identifies a **potential** situation which, if not avoided, may result in **minor to moderate injury and property damage**.

### **NOTICE**

Identifies important information not related to injury, but possible **property damage**.

### **SAFETY**

Indicates steps or instructions for safe practices, reminders of safe procedures, or important safety equipment that may be necessary.

## Limited Liability

**Stealth Products, LLC** accepts no liability for personal injury or damage to property that may arise from the failure of the user or other persons to follow the recommendations, warnings, and instructions in this manual.

**Stealth Products** does not hold responsibility for final integration of final assembly of product to end user. **Stealth Products** is not liable for user death or injury.

## Testing

Initial setup and driving should be done in an open area free of obstacles until the user is fully capable of driving safely.

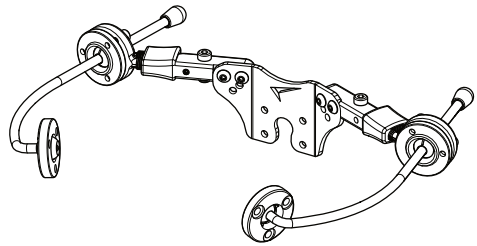
## Intended Use

The **Swing-Away Hardware** is designed to provide lateral head support and promote proper head alignment in individuals with uncontrolled or poor head control. It consists of a sturdy base plate attached to the headrest hardware and provides one to four mount points on adjustable swing-away rods that curve around the headrest. Facial lateral pads, switches, or other controls are mounted to the rods and can be easily swung out of the way, if required.

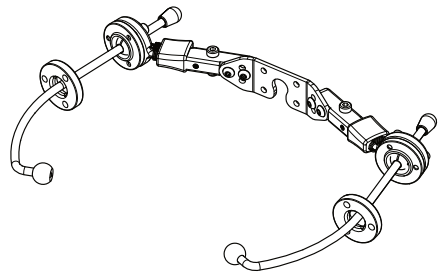
## Features

The **Swing Away Hardware** features:

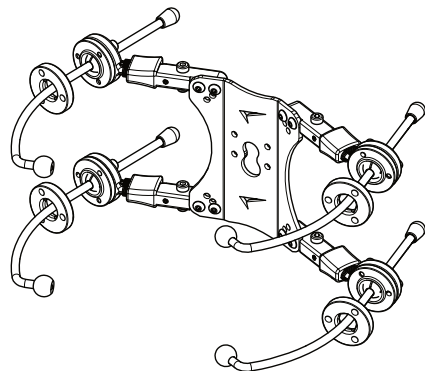
- One to four rods offering attachment points for support surfaces and switch access.
- Rods that are adjustable in the angle, rotation, and length planes.
- Rods that swing one-hundred degrees (100°) out of the way for transfer, therapy, and when not in use.
- Rods return and lock into position without losing critical alignment settings.
- Adjustable pads that block lateral flexion, rotation, and provide a stable surface for support.
- Availability of a full line of compatible mounts for switches and input devices.



SAR2A-B

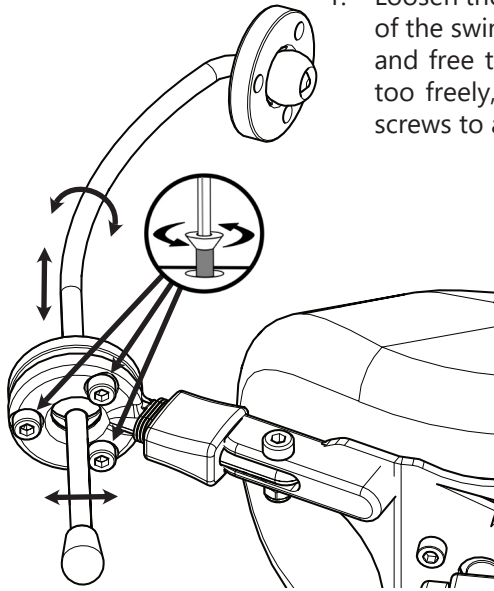


SAR2B-B



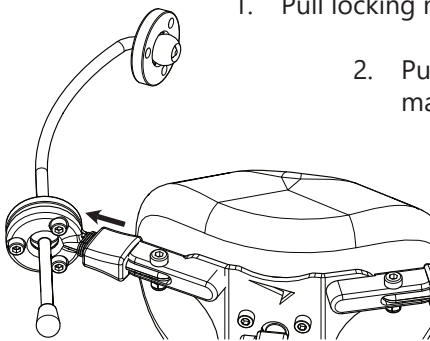
SAR4A-DB

## Adjusting the Lateral Rod

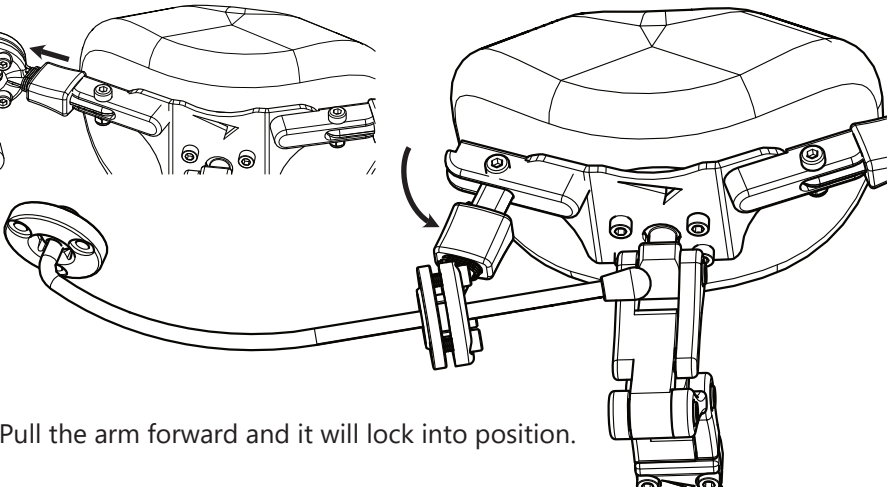


1. Loosen the three bolts located on the ring end of the swing arm. The split ball should release and free the rod for adjustment. If it swings too freely, slightly tighten one or two of the screws to add resistance to the adjustment.
2. It can now be positioned higher or lower, further in or out, and can be lengthened or shortened.
3. Evenly tighten the screws to lock the split ball and secure the rod's adjustment.

## Swing Away Operation



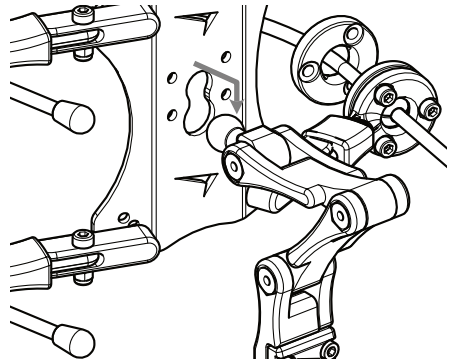
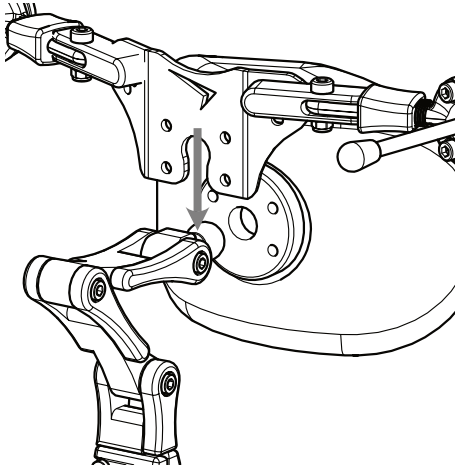
1. Pull locking mechanism towards the ring end of the arm.
2. Push the arm back and it will swing away a maximum of 100°.



3. Pull the arm forward and it will lock into position.

## Installing the Swing Away Hardware

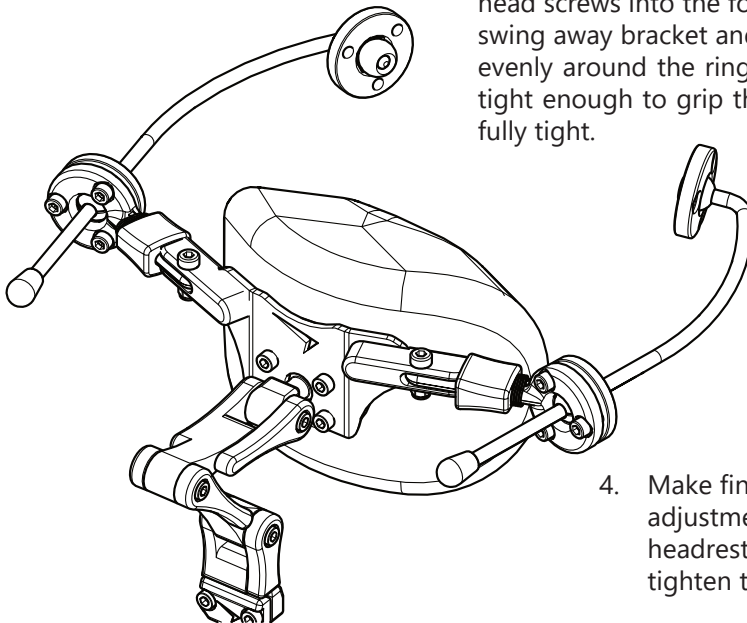
1. If the headrest pad is installed, remove the four bolts securing it to the headrest hardware. Set aside the split ring and locate the swing away hardware mounting plate as shown.



**NOTE:** The 17mm ball fits through the larger hole underneath the socket in the four-arm model.

2. Place the receiver socket of the headrest on the shaft behind the 17mm ball and align the four screw holes in the socket with the four holes in the swing away bracket.

3. Thread four M5 x 0.8 x 14mm socket head screws into the four holes in the swing away bracket and tighten them evenly around the ring until they are tight enough to grip the ball but not fully tight.



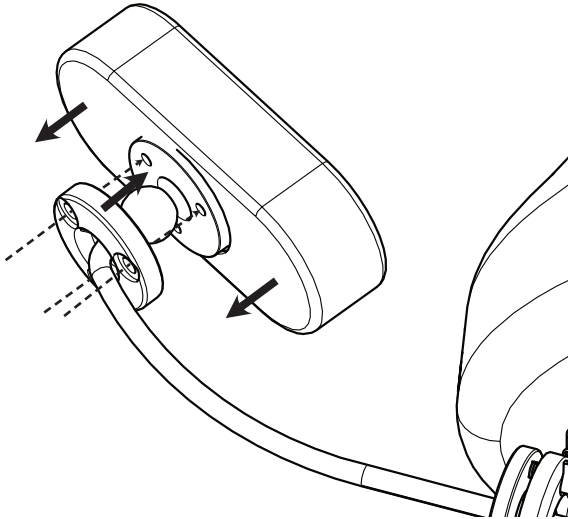
4. Make final positioning adjustments to the headrest and evenly tighten the four bolts.



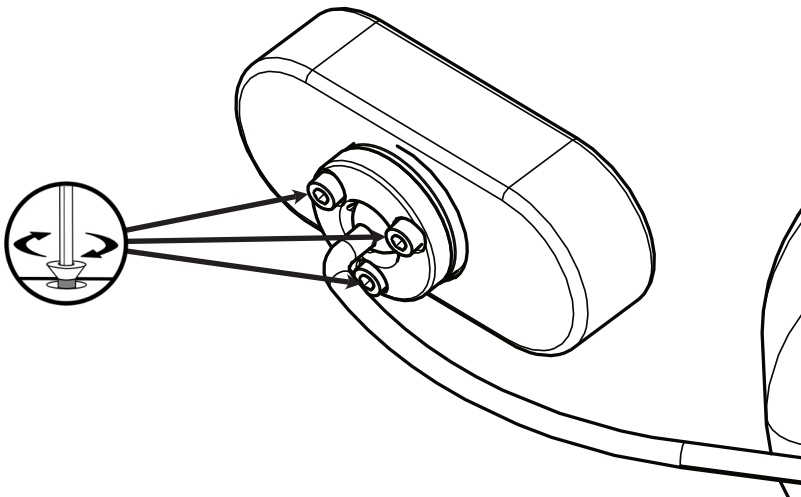
## Installing a Facial Lateral Pad

To install the facial pad to the lateral rod:

1. Place the pad mounting hole over the ball on the end of the adjustable rod.
2. Align the holes on the back of the facial lateral pad with the mounting ring at the end of the adjustable rod.



3. Insert three M5 x 0.8 x 12mm socket head screws into the holes in the mounting ring and into the mounting holes in the pad. Thread them finger tight. Adjust the pad to the required position. When adjustment is complete, evenly tighten the screws an extra quarter turn to snug them up.



## Dealer Assistance

During first time use by the client, it is advised that the dealer or service technician assists and explains the different drive configurations to the customer (the user and/or the attendant). If needed, the dealer can make final adjustments.

### NOTICE

After installation of the **Swing Away Hardware**, check that the hardware is intact, that nothing is damaged, that the wheelchair operating system is still fully functional.

## User Testing

It is important that the customer is fully aware of the installation, how the **Swing Away Hardware** functions, and how it can be adjusted to gain as much mobility as possible. As a dealer, explain and show the customer how you have executed the installation and explain the function.

Have the user test the position of the **Swing Away Hardware** (if needed):

- Is the **Swing Away Hardware** in the proper position for the client?
- Can the user safely operate the chair?
- Is the placement of the **Swing Away Hardware** in an optimal position for the user?

If needed, adjust the **Swing Away Hardware** to the proper position.

Explain to the customer possible issues and how to address them.

## Conditions of Use

The **Swing Away Hardware** is intended for use as installed by the dealer, in accordance to the installation instructions in this manual:

- The foreseen conditions of use are communicated by the dealer or service technician to the user and/or attendant during the first time use.
- If the conditions of use change significantly, please contact your dealer or a qualified service technician to avoid excessive wear and tear or unintended damage.

## Safety

- Periodically check the hardware for loose screws or worn parts.
- Check the facial lateral pads for any foam breakdown and/or metal coming through the foam. This could be potentially dangerous to the client.

### SAFETY

Repair or replace parts as needed.



### DANGER

Failure to comply with the warnings in this manual could result in serious bodily harm.



### WARNING

Using a headrest without the covers in place can lead to discomfort for the user and excess wear on the pad foam.

## Cleaning

To wash the facial lateral pad covers:

- Remove the covers from the facial lateral pads.
- Machine wash the covers in cold water on delicate cycle and drip dry.
- Do not allow the foam to get wet.
- Do not use the headrest without the cover in place.



### WARNING

**DO NOT** use bleach. **DO NOT** iron.  
Do not wash or dry at temperatures in excess of 176°F (80°C).



© 2023, Stealth Products, LLC

**Warranty Information**



**Home Page**



**Online User Manual**



Stealth Products, LLC · info@stealthproducts.com · www.stealthproducts.com  
(800) 965-9229 | (512) 715-9995 | 104 John Kelly Drive, Burnet, TX 78611

P91D655R3

Feb 20, 2023