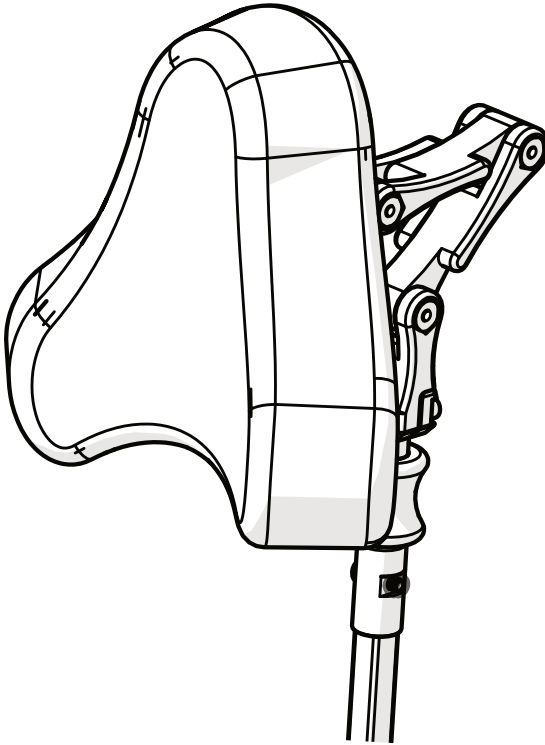


Stealth Products[®]



**Head Support
Hardware**



All Positioning Series

Owner's Manual - Maintenance Guide
All Positioning Series Headrest

Customer Satisfaction 1

Important Information 2-3

 Warranty 2

 Supplier Reference..... 2

 Warning Labels..... 3

 Limited Liability..... 3

 Testing 3

Installation Instructions 4-5

 Installation Plan 4

 All Positioning Headrest Installation 4

First-Time Use 6

 Dealer Assistance 6

 User Assistance 6

 Conditions of Use 6

Care and Maintenance 7

 Safety 7

 Cleaning..... 7

Notes 8-9

Stealth Products is committed to 100% customer satisfaction. Your complete satisfaction is important to us. Please contact us with feedback or suggestions to help us improve the quality and usability of our products.

You may reach us at:



Stealth Products, LLC

104 John Kelly Drive, Burnet, TX 78611

Phone: (512) 715-9995

Toll Free: (800) 965-9229

Fax: (512) 715-9954

Toll Free: (800) 806-1225

info@stealthproducts.com

www.stealthproducts.com



<p>EC REP</p> <p>MDSS GmbH Schiffgraben 41 30175 Hannover Germany</p>	<p>CH REP</p> <p>SODIMED SA Chemin Praz Devant 12 1032 Romanel sur-Lausanne Switzerland</p>	<p>UK Authorized Representative</p> <p>MDSS-UK RP 6 Wilmslow Road, Rusholme Manchester M14 5TP United Kingdom</p>
---	---	---

General

Read and understand all instructions prior to the use of the product. Failure to adhere to instructions and warnings in this document may result in property damage, injury, or death. Product misuse or failure to follow instructions will void the warranty.

Immediately discontinue use if any function is compromised, if parts are missing or loose, or if any component shows signs of excessive wear. Consult with your supplier for repair, adjustment, or replacement.

All persons responsible for fitting, adjustment, and daily use of the devices discussed in these instructions must be familiar with and understand all safety aspects of the devices mentioned. In order for our products to be used successfully, you must read and understand all instructions and warnings, and maintain our products according to our instructions on care and maintenance. The installation instructions will guide you through this product's options and possibilities.

Instructions are written with the expressed intent of use with standard configurations. They also contain important safety and maintenance information, as well as describe possible problems that can arise during use. For further assistance, or more advanced applications, please contact your supplier or **Stealth Products** at (512) 715-9995 or toll free at (800) 965-9229.

Always keep the operating instructions in a safe place so they may be referenced as necessary.

All information, pictures, illustrations, and specifications are based on the product information that was available at the time of printing. Pictures and illustrations shown in these instructions are representative examples and are not intended to be exact depictions of the various parts of the product.

Important Information



These products are designed to be fitted, applied, and installed exclusively by a healthcare professional trained for these purposes. The fitting, application, and installation by a non-qualified individual could result in serious injury.

Warranty

Our products are designed, manufactured, and produced to the highest of standards. If any defect in material or workmanship is found, Stealth Products will repair or replace the product at our discretion. Any implied warranty, including the implied warranties of merchantability and fitness for a particular purpose, shall not extend beyond the duration of this warranty. **Stealth Products** does not warrant damage due to, but not limited to: misuse, abuse, or misapplication of product, and/or modification of product without written approval from **Stealth Products, LLC**. Any alteration or lack of serial number, where applicable, will automatically void all warranty.

Stealth Products, LLC is liable for replacement parts only. **Stealth Products, LLC** is not liable for any incurred labor costs.

Stealth Products warrants against failure due to defective materials or workmanship:

Covers: 2 years
Hardware: 5 years
Electronics: 3 years

In the event of a product failure covered by our warranty, please follow the procedures outlined below:

Call **Stealth Products** at (512) 715-9995 or toll free at (800) 965-9229.

Request a Return Authorization (RA) form from the Returns Department and follow the documentation instructions.

Additional warranty information may be found by visiting the website at <https://stlpro.site/returns-n-warranty>. Copies of this manual may be downloaded by accessing the Stealth website (<https://stlpro.site/stealth-docs>) and searching "P91D662" in the search bar at the top of the page.

Supplier Reference

Supplier:	
Telephone:	
Address:	
Purchase Date:	
Model:	

Warning Labels

Warnings are included for the safety of the user, client, operator, and property. Please read and understand what the signal words **DANGER**, **WARNING**, **CAUTION**, **NOTICE**, and **SAFETY** mean, and how they could affect the user, those around the user, and property.



DANGER

Identifies an **imminent** situation which, if not avoided, may result in **severe injury, death, and property damage**.



WARNING

Identifies a **potential** situation which, if not avoided, may result in **severe injury, death, and property damage**.



CAUTION

Identifies a **potential** situation which, if not avoided, may result in **minor to moderate injury and property damage**.

NOTICE

Identifies important information not related to injury, but possible **property damage**.

SAFETY

Indicates steps or instructions for safe practices, reminders of safe procedures, or important safety equipment that may be necessary.

Limited Liability

Stealth Products, LLC accepts no liability for personal injury or damage to property that may arise from the failure of the user or other persons to follow the recommendations, warnings, and instructions in this manual.

Stealth Products does not hold responsibility for final integration of final assembly of product to end user. **Stealth Products** is not liable for user death or injury.

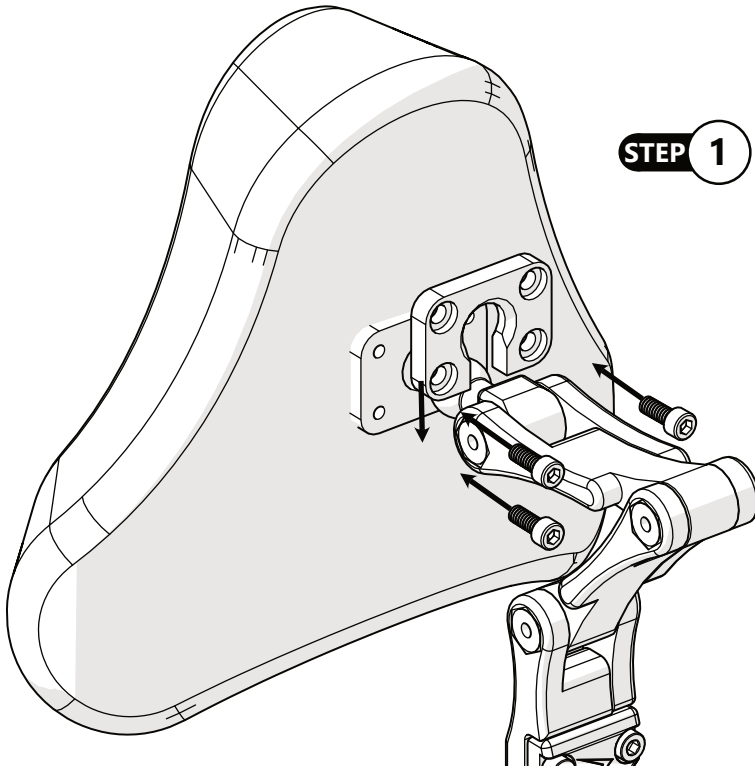
Testing

Initial setup and driving should be done in an open area free of obstacles until the user is fully capable of driving safely.

Installation Plan

Set up an installation plan before mounting the **All Positioning Headrest** to the headrest hardware. After installation, ensure that the **All Positioning Headrest** is mounted properly and that all screws are tightened evenly.

All Positioning Headrest Installation



STEP 1: Place the 17mm ball in the socket located at the rear of the headrest. Slide the split ring over the shaft behind the ball and then towards the headrest to retain the ball.

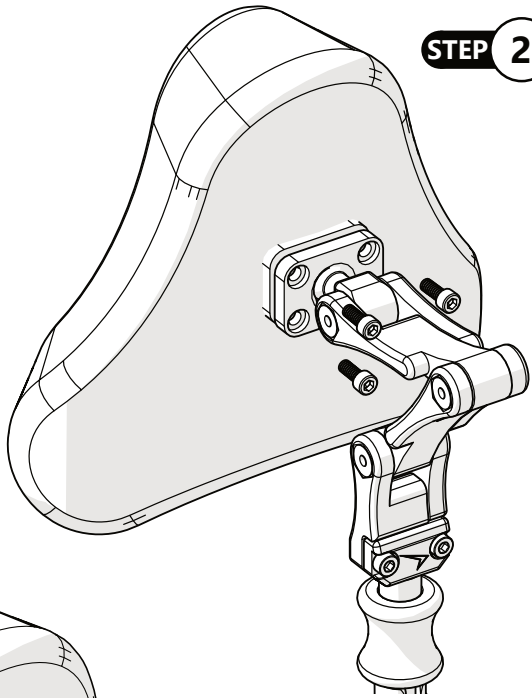


CAUTION

Ensure that split rings remain in alignment with mounting surfaces during the tightening process. Uneven or excessive tightening can cause stripped threads, misaligned or bent rings, and other damage to mounting parts.

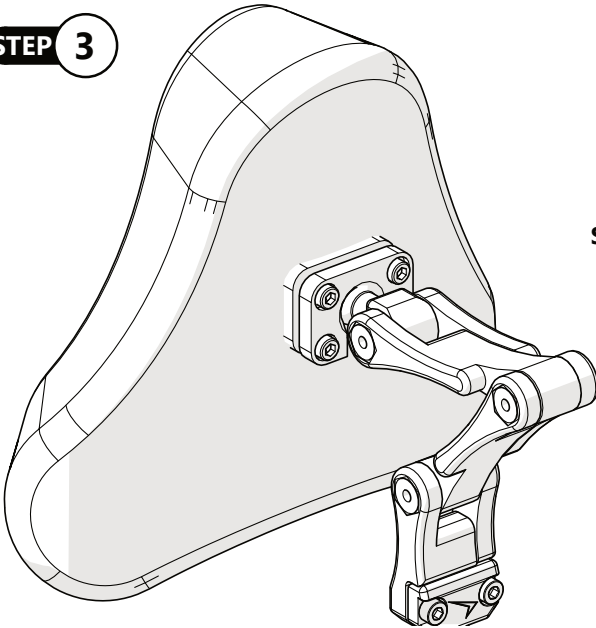
STEP 2

STEP 2: Thread the four socket head screws through the holes in the split rings and into the mount on the headrest.



STEP 3

STEP 3: Working diagonally, evenly tighten the screws making sure the split ring remains parallel with the mount.



CAUTION

Do not over-tighten fasteners as it may lead to damaged parts and premature failure. If repeated loosening of fasteners occurs, a suitable thread-locking compound can be applied.

Dealer Assistance

During first-time use by the user, it is advised that the dealer or service technician not only assembles the product, but also explains the configuration of user positioning to the user (i.e., the user and or the attendant). If needed, the dealer can make final adjustments.

User Testing

It is important that the customer is fully aware of the installation of the **All Positioning Headrest**, how to use it, and how it can be adjusted to fit the client comfortably. As a provider, proceed as follows:

- Explain and show the customer how you have executed the installation and explain the function.
- Have the user test the position of the **All Positioning Headrest**.
- Is the hardware in the proper position for the client?
- Can all controls be operated safely and with minimal effort?
- If needed, make any adjustments to the positioning.
- Explain possible problems to the customer and how to address them.

Conditions of Use

The **All Positioning Headrest** is intended for use as installed by the dealer, in accordance to the installation instructions in this manual.

Ensure the foreseen conditions of use are communicated by the dealer or service technician to the user and/or attendant during the first-time use.

If usage conditions change significantly, please contact your dealer or a qualified service technician to avoid unintended damage.

Safety

Periodically check the hardware for loose screws or worn areas.

Check the pad/cover for any breakdown. If metal is protruding through the cover or foam, discontinue use immediately and replace the headrest.

SAFETY

Repair or replace parts as needed.



CAUTION

Never use this product to maneuver a chair or anything to which it is attached. This product is intended only for its stated use, and should never be used as a support, lift, guide, handle, or as anything other than the instrument of its original function.



WARNING

Using a headrest without the covers in place can lead to discomfort for the user and excess wear on the pad foam.



WARNING

During transport, ensure that the client is properly positioned and that seat belts and harnesses are fastened. The All Positioning Series is not intended to be used as a stabilizer during transport.



DANGER

Failure to comply with these warnings could result in serious bodily harm.

Cleaning

Dust and dirt can be removed from the cover and hardware with a damp cloth.

To wash the cover of the headrest:

- Remove the pad cover from the headrest;
- Machine wash the cover in cold water on delicate cycle and drip dry.
- Do not allow the foam to get wet.
- Do not use the headrest without the cover in place.



WARNING

DO NOT use bleach. **DO NOT** iron.
Do not wash or dry at temperatures in excess of 176°F (80°C).



© 2023, Stealth Products, LLC

Warranty Information



Home Page



Online User Manual



Stealth Products, LLC · info@stealthproducts.com · www.stealthproducts.com
(800) 965-9229 | (512) 715-9995 | 104 John Kelly Drive, Burnet, TX 78611