



Foot Support Shoe Holders

Intended Use

The **Stealth Positioning™** line of pelvic belts, vests, chest straps and foot positioners are intended to help wheelchair users attain proper alignment of the torso, pelvis and feet. Stability and clinical posture are improved through the use of structured support. Comfort is improved through the use of breathable materials.

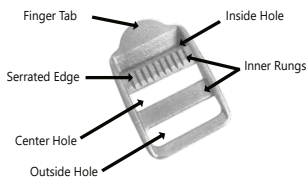
Foot positioning impacts proper seating and safety. Foot positioners allow flex and stretch, enabling the individual to benefit from movement within a controlled range and helping to balance the lower body in response to upper body movements. Correct foot positioning results in

- Increased stability for function;
- Sustained hip and knee positioning;
- Increased foot protection;
- Improved foot circulation;
- The elimination of posterior pelvic tilt; and,
- Easier self-positioning.

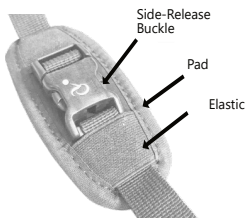
Installation and Use

Ankle and Toe Strap Installation

Ladder Buckle

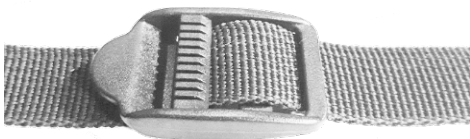


Side-Release Buckle



NOTE: The ladder buckle has two inner rungs, one of which will have a serrated edge. If one of the inner rungs does not have a serrated edge, the buckle is upside-down and should be turned over before proceeding. The ladder buckle also has a finger tab on it which should be facing towards the side-release buckle when in the proper position. This is considered the "inside" of the buckle for the purpose of these instructions.

Step 1: With the finger tab towards the side-release buckle and pad, thread the end of the strap through the center hole from underneath and then down through the outside hole. Slide it down the strap toward the padded section. Repeat this for both sides of the strap.

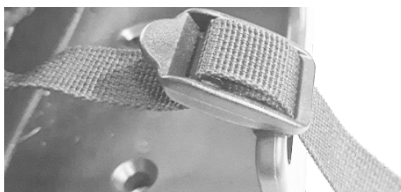


Step 2: Thread the strap end through the appropriate slot in the toe or ankle section of the shoe holder and pull it through until the ladder buckle is close to the slot. Thread the end of the strap up through the outside hole and then down through the center hole. Thread the strap up through the inside hole next to the serrated rung. In this configuration, the strap can easily be adjusted for length.

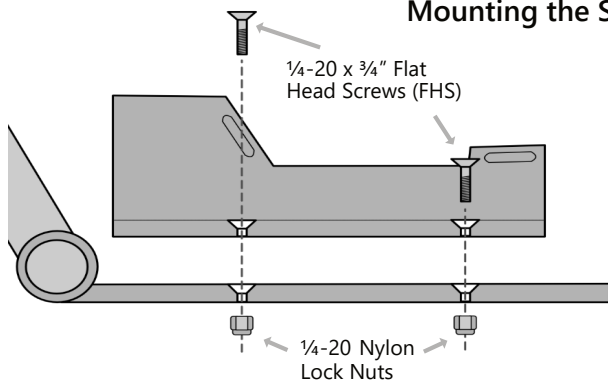


NOTE: The ladder buckle will need to be tightened against the shoe holder at the end of the adjustment process. Ensure that the length of strap remaining after the final adjustment is between the ladder buckle and the side-release buckle and not between the ladder buckle and the body of the shoe holder. *Failing to move the buckle to the position below will result in slippage and loss of proper adjustment.*

Step 3: Once satisfied with the adjustment, the strap can be threaded down through the outside hole. This will provide tension to retain the settings and will tuck the strap out of the way. Should further adjustment be necessary, pull the strap from the outside hole, make the adjustment and return it to this position when finished.



Mounting the Shoe Holder



When the installation of the straps and pads is complete, install the foot positioners on the chair using the included fasteners as shown here.

Side-Release Buckle Use

NOTE: The buckle should make an audible click when fastened properly. *If the buckle does not latch firmly and hold secure, please discontinue use and contact your provider.*



This is the side-release buckle on a foot positioner pad in the closed position.



The side-release buckle is opened by pinching the buttons on its sides until the halves separate. The ends are retained via elastic straps sewn to the pad.



To place the client's shoe in the holder, pull the female end of the side-release buckle through the elastic strap holding it on the pad.*



The cushioning pad will remain connected to the male end of the buckle and both may now be folded back to allow the client's foot to be positioned.



To reconnect the buckle, slide the female end of the buckle under the retaining elastic on the pad.



Using the male end of the buckle, retrieve the female end from under the elastic and pull them both back to closed position, as shown above on the left.

* Either side of the strap may be detached from the pad using the elastic; however, the female section of the buckle is easier to remove from the elastic than the male. Care should be taken not to detach the pad from both sections of the buckle at the same time, except during cleaning, as it could be lost or misplaced.

Care and Cleaning

We recommend that all products be examined on a regular basis for wear and function. Check the stitching on the webbing for stress or damage. If loose, frayed or broken parts are discovered, discontinue use and contact your provider. Repairs should only be performed by a wheelchair service professional and with genuine Stealth Products parts, fasteners or items appropriate for the service required.

Surfaces may be cleaned with a damp cloth and a mild, non-abrasive cleaner. Ensure all cleaners are approved for finished steel, aluminum, plastic and upholstered surfaces. Vests and straps that are removable and DO NOT contain metal components may be machine washed warm (40°C), permanent press cycle, mild process.

DO NOT bleach. DO NOT tumble dry. Dry flat. DO NOT iron.

Important

Never use a chest harness without a positioning belt. Positioning belts and supports should only be used to help support the user's posture. The belts, posture supports, and straps must be snug, but must not interfere with the user's breathing. Check to make sure the user cannot slide down in the seating system, as they may suffer chest compression and may suffocate due to pressure from the belts or harnesses. A seat with angle or built-in contours may help prevent the user from sliding in the seat. Due to the possibility of a user sliding while in-chair, unsupervised use of anterior thoracic support devices could pose a serious choking hazard. Continually ensure that the user is sitting upright and that the thoracic support device does not obstruct the user's breathing in any way.

These devices do not conform to ANSI/RESNA WC20 or SAE J2249 and are not designed or approved to provide restraint or protection in the event of a crash. Wheelchair users should transfer to a vehicle seat and use the vehicle seat belt system or a child safety seat that complies with federal safety standards. The wheelchair should then be stored and secured in the vehicle. Children weighing less than 48 lbs. must always transfer to an approved child safety seat.

Before you install or begin using any product from **Stealth Products' Stealth Positioning™** line, it is important that you read and understand the content of these installation and operating instructions. Product misuse due to failure to adhere to instructions and warnings in this document will void your warranty and may result in property damage, injury, or death. Always keep the operating instructions in a safe place so they may be referenced as necessary. If this document contains information you do not understand or if there are concerns about safety or operation, contact your provider.

All information, pictures, illustrations, and specifications are based on the product information available at the time of printing, and are representative examples. They are not intended to be exact descriptions of the various parts of the product. Instructions are written with the expressed intent of use with standard configurations. They also contain important safety and maintenance information. For assistance with advanced configurations or options, contact your provider or **Stealth Products** at (512) 715-9995 or toll free at (800) 965-9229.

Immediately discontinue use if any function is compromised, if parts are missing or loose or if any component shows signs of excessive wear. Consult with your provider for repair, adjustment, or replacement. You can download additional copies of this manual by visiting <https://stlpro.site/stealth-docs/> and searching for "Stealth Positioning" in the document manager.

Warranty

Our products are designed, manufactured, and produced to the highest of standards. If any defect in material or workmanship is found, **Stealth Products** will repair or replace the product at our discretion. Any implied warranty, including the implied warranties of merchantability and fitness for a particular purpose, shall not extend beyond the duration of this warranty. **Stealth Products, LLC** does not warrant damage due to, but not limited to, misuse, abuse, or misapplication of products and modification of product without written approval from **Stealth Products, LLC**.

Any alteration or lack of serial number, where applicable, will automatically void this warranty. **Stealth Products, LLC** is liable for replacement parts only. **Stealth Products, LLC** is not liable for any incurred labor costs. No person is authorized to alter, extend, or waive the warranties of **Stealth Products, LLC**.

To learn more about our warranty and returns policy, please visit <https://stlpro.site/returns-n-warranty>.

About Us

Stealth Products is committed to 100% customer satisfaction. Your complete satisfaction is important to us. Please contact us with suggestions or feedback to help us improve the quality and usability of our products.

You may reach us at:



Stealth Products, LLC

104 John Kelly Drive,
Burnet, TX 78611

Phone: (512) 715-9995 Toll Free: (800) 965-9229

Fax: (512) 715-9954 Toll Free: (800) 806-1225

info@stealthproducts.com - www.stealthproducts.com

EC REP

MDSS GmbH

Schiffgraben 41
30175 Hannover, Germany

CH REP

SODIMED SA

Chemin Praz Devant 12
1032 Romanel sur-Lausanne, Switzerland

UK Authorized Representative

MDSS-UK RP

6 Wilmslow Road, Rusholme
Manchester M14 5TP, United Kingdom

