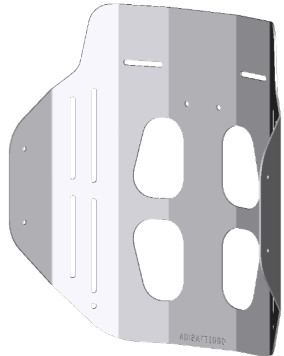
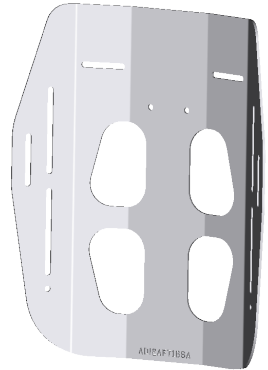
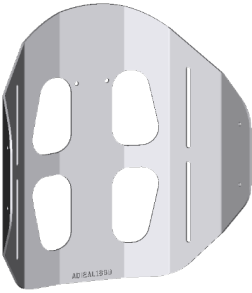
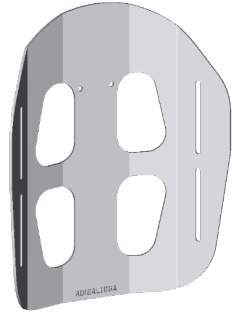




Backs & Support



ADI 2.0

Owner's Manual - Maintenance Guide
ADI 2.0, AL and AFT Series



Customer Satisfaction i

Important Information ii-iii

- Warranty ii
- Supplier Reference..... ii
- Warning Labels..... iii
- Limited Liability..... iii
- Testing iii

Design and Function 1-2

- Tools Required for Installation and Adjustment 1
- Parts List..... 1
- Intended Use..... 1
- Contours and Profiles..... 2
- Available Sizes 2

Installation Instructions 3

- Installation 3
- Adjustment 3
- Testing 3

WC20 Information 4-8

- WC20 Hardware..... 4
- Before Transit..... 4
- Belt Placement..... 5
- Proper Positioning of Belts on Occupant 5
- Improper Positioning of Belts on Occupant..... 5
- Trays..... 7
- User Safety..... 7

First-Time Use..... 9

- Dealer Assistance 9
- User Assistance 9
- Conditions of Use 9

Care and Maintenance 10

- Cleaning..... 10
- Disinfection..... 10

Stealth Products is committed to 100% customer satisfaction. Your complete satisfaction is important to us. Please contact us with feedback or suggestions to help us improve the quality and usability of our products.

You may reach us at:



Stealth Products, LLC
104 John Kelly Drive, Burnet, TX 78611

Phone: (512) 715-9995
Fax: (512) 715-9954

Toll Free: (800) 965-9229
Toll Free: (800) 806-1225

info@stealthproducts.com
www.stealthproducts.com



<p>EC REP</p> <p>MDSS GmbH Schiffgraben 41 30175 Hannover Germany</p>	<p>CH REP</p> <p>SODIMED SA Chemin Praz Devant 12 1032 Romanel sur-Lausanne Switzerland</p>	<p>UK Authorized Representative</p> <p>MDSS-UK RP 6 Wilmslow Road, Rusholme Manchester M14 5TP United Kingdom</p>
---	---	---

General

Read and understand all instructions prior to the use of the product. Failure to adhere to instructions and warnings in this document may result in property damage, injury, or death. Product misuse or failure to follow instructions will void the warranty. Immediately discontinue use if any function is compromised, if parts are missing or loose, or if any component shows signs of excessive wear. Consult with your supplier for repair, adjustment, or replacement.

All persons responsible for fitting, adjustment, and daily use of the devices discussed in these instructions must be familiar with and understand all safety aspects of the devices mentioned. In order for our products to be used successfully, you must read and understand all instructions and warnings, and maintain our products according to our instructions on care and maintenance.

The installation instructions will guide you through this product's options and possibilities.

Instructions are written with the expressed intent of use with standard configurations. They also contain important safety and maintenance information, as well as describe possible problems that can arise during use. For further assistance, or more advanced applications, please contact your supplier or **Stealth Products** at (512) 715-9995 or toll free at (800) 965-9229.

Always keep the operating instructions in a safe place so they may be referenced as necessary.

All information, pictures, illustrations, and specifications are based on the product information that was available at the time of printing. Pictures and illustrations shown in these instructions are representative examples and are not intended to be exact depictions of the various parts of the product.

Important Information



These products are designed to be fitted, applied, and installed exclusively by a healthcare professional trained for these purposes. The fitting, application, and installation by a non-qualified individual could result in serious injury.

Warranty

Our products are designed, manufactured, and produced to the highest of standards. If any defect in material or workmanship is found, Stealth Products will repair or replace the product at our discretion. Any implied warranty, including the implied warranties of merchantability and fitness for a particular purpose, shall not extend beyond the duration of this warranty. **Stealth Products** does not warrant damage due to, but not limited to: misuse, abuse, or misapplication of product, and/or modification of product without written approval from **Stealth Products, LLC**. Any alteration or lack of serial number, where applicable, will automatically void all warranty.

Stealth Products, LLC is liable for replacement parts only. **Stealth Products, LLC** is not liable for any incurred labor costs.

Stealth Products warrants against failure due to defective materials or workmanship:

Covers: 2 years
Hardware: 5 years
Electronics: 3 years

NOTICE

Any substitutions of supplied hardware void the warranty. Misuse of items and "acts of nature" (e.g., flood, tornado) are not covered by the warranty.

In the event of a product failure covered by our warranty, please follow the procedures outlined below:

Call **Stealth Products** at (512) 715-9995 or toll free at (800) 965-9229.

Request a Return Authorization (RA) form from the Returns Department and follow the documentation instructions.

Additional warranty information may be found by visiting the website at <https://stlpro.site/returns-n-warranty>. Copies of this manual may be downloaded by accessing the Stealth website (<https://stlpro.site/stealth-docs>) and searching "P116D745" in the search bar at the top of the page.

Supplier Reference

Supplier:	
Telephone:	
Address:	
Purchase Date:	
Model:	

Warning Labels

Warnings are included for the safety of the user, client, operator, and property. Please read and understand what the signal words **DANGER**, **WARNING**, **CAUTION**, **NOTICE**, and **SAFETY** mean, and how they could affect the user, those around the user, and property.



DANGER

Identifies an **imminent** situation which, if not avoided, may result in **severe injury, death, and property damage**.



WARNING

Identifies a **potential** situation which, if not avoided, may result in **severe injury, death, and property damage**.



CAUTION

Identifies a **potential** situation which, if not avoided, may result in **minor to moderate injury and property damage**.

NOTICE

Identifies important information not related to injury, but possible **property damage**.

SAFETY

Indicates steps or instructions for safe practices, reminders of safe procedures, or important safety equipment that may be necessary.

Limited Liability

Stealth Products, LLC accepts no liability for personal injury or damage to property that may arise from the failure of the user or other persons to follow the recommendations, warnings, and instructions in this manual.

Stealth Products does not hold responsibility for final integration of final assembly of product to end user. **Stealth Products** is not liable for user death or injury.

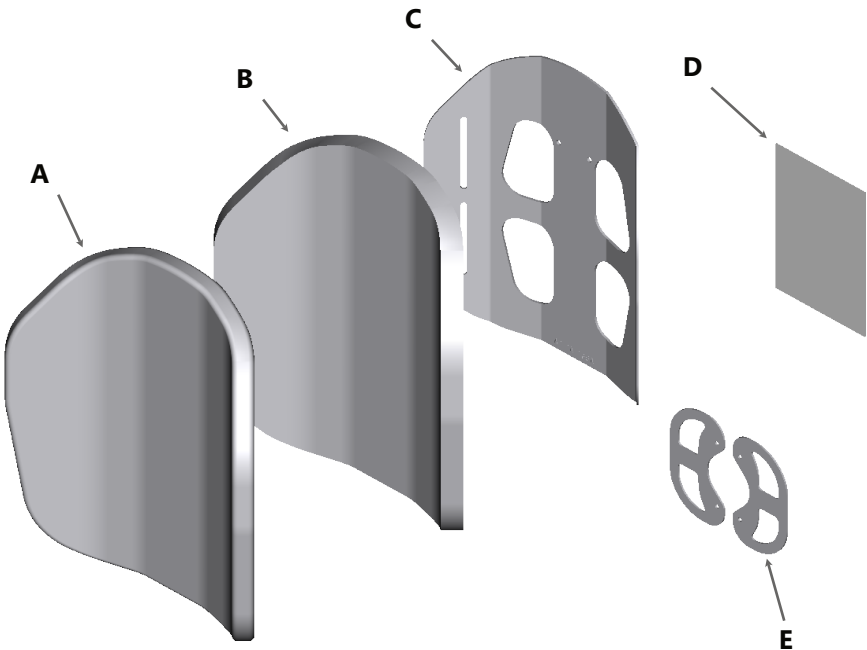
Testing

Initial setup and driving should be done in an open area free of obstacles until the user is fully capable of driving safely.

Tools Required for Installation and Adjustment

Consult your backrest hardware manual for a list of tools.

Parts List



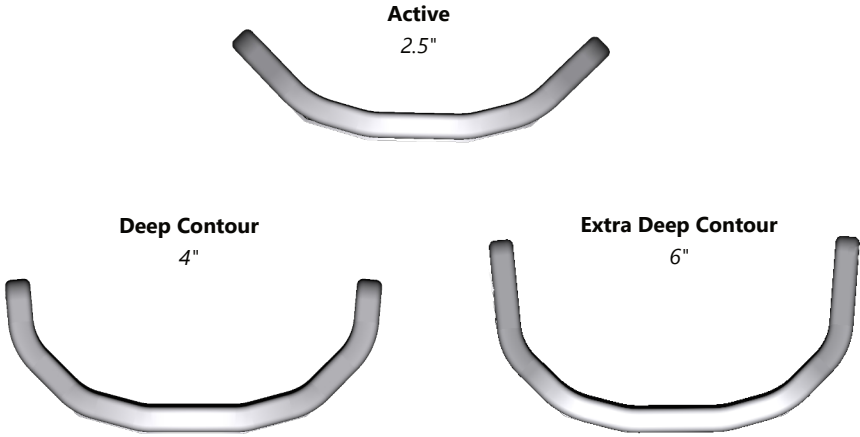
- Fabric Cover (A)
- Foam Cushion (B)
- Back Support Shell* (C)
- Instruction Manual (D)
- Wing (Extra Deep only) (E)

* Active Shell shown

Intended Use

The purpose of the **ADI 2.0** is to provide an aggressively contoured, higher-end seating system for manual wheelchairs. This positioning wheelchair back will allow for proper back support, height, width, depth, profile options and maximum stabilization for the user.

Contours and Profiles



NOTICE Use only the hardware supplied with the **ADI 2.0** back support on the **ADI 2.0** back support. Use of any other screws, brackets, clamps, alternative hardware or mounting brackets will void the warranty.

Available Sizes

Widths

ADI 2.0 back shells are available in the following widths:

- Active and Deep Contour: 10" to 20" in 1" increments, 22", and 24".
- Extra Deep Contour: 16" to 20" in 1 inch increments, 22", and 24".

Heights

Low:	10W to 14W: 8" 15W to 24W: 10"	Standard:	13W to 24W: 16"
Medium:	12W to 24W: 13"	Tall:	16W to 24W: 18"
		Extra Tall:	16W to 24W: 20"

Profiles

- AL Series backs feature a scapular cutout profile
- AFT Series backs feature a flat top profile

Installation

The installation instructions included with the mounting hardware will cover the installation of your **ADI 2.0** back support on your wheelchair.

Adjustment

The adjustment instructions included with your mounting hardware will detail adjustments that can be made with your **ADI 2.0** back support.

Testing

After installation of the **ADI 2.0** back support, execute the following test(s) before the wheelchair is delivered or put into service.

- Test Drive

Test Drive

- Perform a test drive with the wheelchair
- Check that the **ADI 2.0** back support is firmly attached to the chair and that no part of it is loose.



WARNING

Protect the back, and contour or lateral supports, if included, from blunt forces that may cause damage and/or breakage.



CAUTION

If you are able to fold back the canes, the back should be in the folded position when transporting the wheelchair, especially before loading for air travel.



WC20 Hardware

ADI 2.0 has met the requirements for ANSI/RESNA WC-4:2017, Section 20 - Wheelchair Seating Systems for Use in Motor Vehicles, commonly shortened to WC20 and ISO16840-4 for international transportation requirements. The back must have the thumb screw inserted and tightened to be WC20 approved.

CAUTION

The WC20-approved **ADI 2.0** should only be used in accordance with these instructions. It only meets WC20 requirements when used in conjunction with a WC20-approved wheelchair.

WC20 establishes design and performance requirements and test methods for complete seating systems that consist of a seat, back support, and attachment hardware.

Before Transit

- Clients who use wheelchairs should transfer to the vehicle seat and use the vehicle-installed occupant restraint systems.
- Prior to transporting, always double check the tie-downs and hardware.
- On tie-downs and restraints, look for tears or worn webbing straps. Replace as necessary and never use torn straps.
- Look for damaged hooks or loose tie-down hardware.
- On the seating system, check for loose screws attaching the hardware to the seat. These should be snug and not overly tightened.

WARNING

The WC20 approved **ADI 2.0** is designed specifically for occupancy when used on wheelchairs that are facing forward in motor vehicles.

WARNING

The WC20 approved **ADI 2.0** has been designed to accommodate the proper use of vehicle-anchored belt restraints and the ratings of the seating systems, with regard to a) ease of properly positioning vehicle-anchored belt restraints on the wheelchair passenger, and b) the degree to which proper positioning of belt restraints can be achieved.

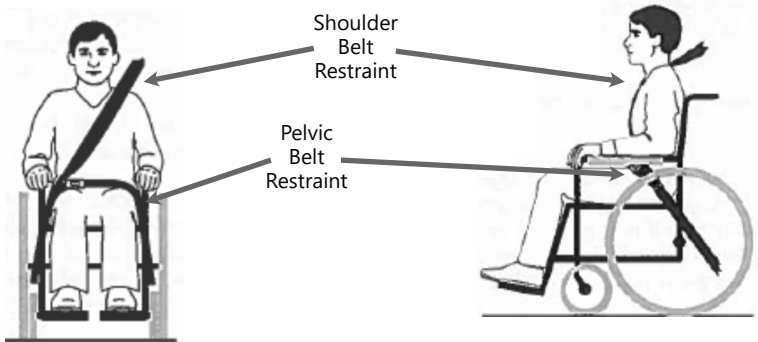
WARNING

Alterations and substitutions should not be made to the seating system or to its parts and components without consulting the manufacturer.

Belt Placement

- The pelvic belt should be worn low, across the front of the pelvis near the junctions of the pelvis and thighs.
- The belt restraint buckle of three-point belt restraints should be placed in contact with the occupant's body and away from wheelchair components.
- The junction of the shoulder belt and pelvic belt of three-point belt restraints should be located near the hip opposite the shoulder over which the diagonal belt crosses and not near the mid-line of the occupant.

Proper Positioning of Belts on Occupant



- Upper torso belt restraints should fit directly over, and in contact with, the middle of the shoulder.

CAUTION

Belt restraints should be adjusted to fit as snugly as possible, consistent with user comfort.

Improper Positioning of Belts on Occupant



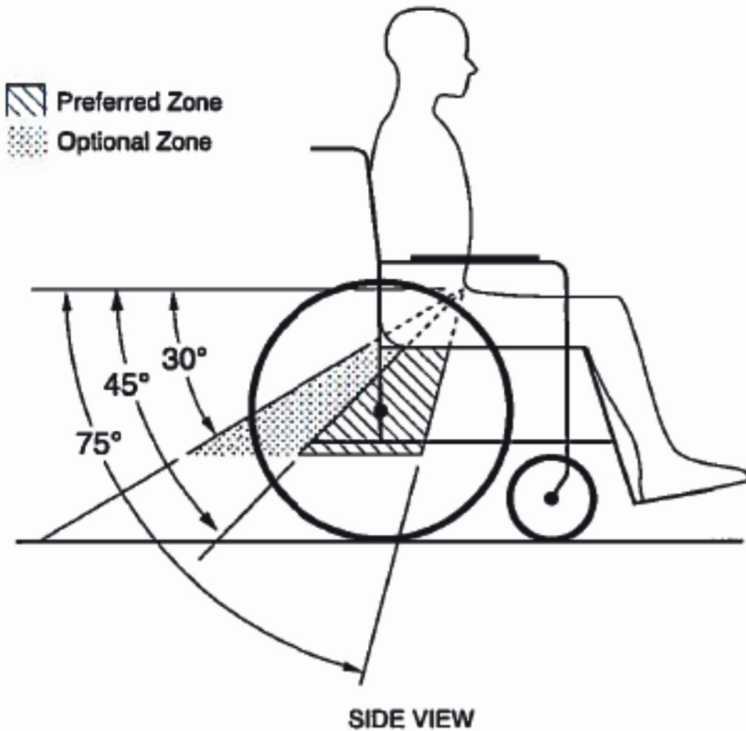
- Belt restraints should not be routed outside of the wheelchair wheels or over the wheelchair arm supports and should not be held away from the body by wheelchair components or parts.

SAFETY

Belt restraints should not be worn twisted or in a manner that reduces the area of contact of the belt webbing with the occupant.

Both pelvic belt and shoulder belt restraints that comply with RESNA WC-4:2012, Section 18 and/or 4.6, 5.2, 5.3 or RESNA WC-4:2012, Section 19 should be used to limit occupant movement in a crash and reduce the likelihood of occupant ejection from the vehicle and/or injurious contact of the occupant with the vehicle interior.

The pelvic belt should be angled between 30° to 75° horizontally when viewed from the side, and ideally between 45° to 75° horizontally, as shown in the figure below.

**WARNING**

Back supports with adjustable recline angles should not be reclined in excess of thirty degrees (30°) during travel in a vehicle unless necessary for the medical and postural needs of the occupant.

**WARNING**

If the back support must be adjusted in excess of thirty degrees (30°) during travel in a vehicle, the upper shoulder belt anchor point should be adjusted rearward to maintain belt contact with the occupant's shoulder and chest.

Trays

Wheelchair mounted rigid trays that are not specifically designed for use during travel in motor vehicles should be:

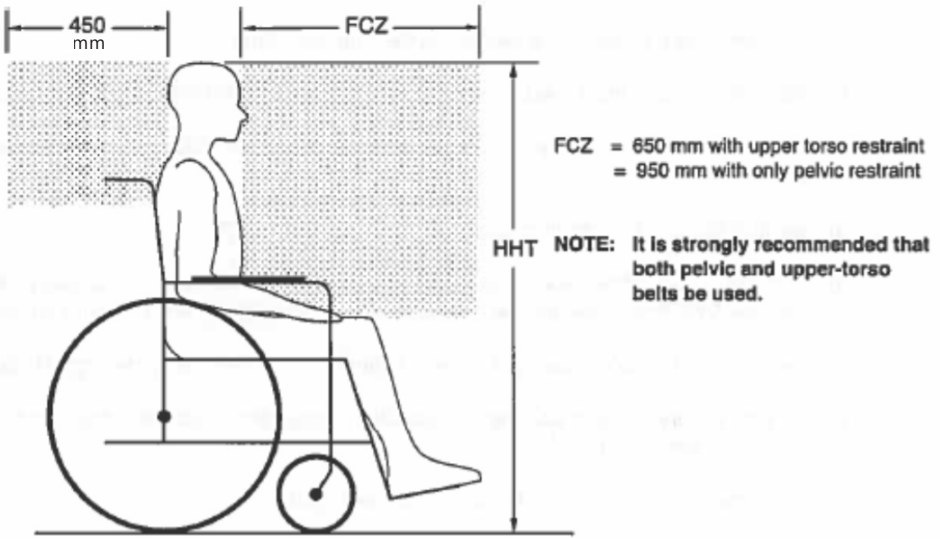
- Removed and secured separately in the vehicle.
- Secured to the wheelchair so they will not break free in a crash.
- Positioned with a gap of at least 75mm (3 in.) between the back edge of the tray and the wheelchair occupant's abdomen and/or chest so as not to interfere with proper belt restraint use.
- Equipped with energy absorbing padding placed between the back edge of the tray and the wheelchair occupant.

User Safety

The use of a postural pelvic belt attached to the wheelchair base or seat frame is encouraged during travel, but these belts should be positioned so that they do not interfere with the proper positioning of crash-worthy belt restraints, and they should not be relied upon for occupant protection in crash situations unless the postural belt has been designed to comply with, and perform to, the requirements of 4.6, 5.2, and 5.3 of RESNA WC-4:2012, Section 19.

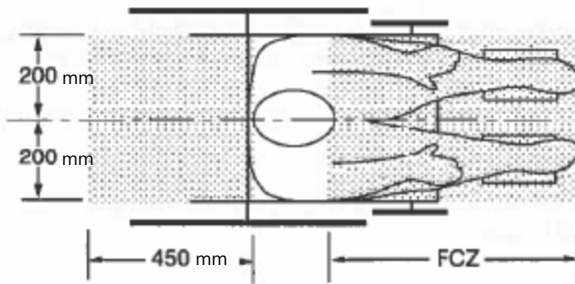
Sufficient forward and rearward clear space should be provided around the wheelchair occupant.

The forward clear-space zone (FCZ) needs to be larger when a shoulder belt restraint is not used.



SIDE VIEW

TOP VIEW



When mounting the WC20-approved **ADI 2.0** to your wheelchair, refer to the installation instructions on page 3.



WARNING

The WC20-approved **ADI 2.0** is designed only for use with wheelchair frames that have been successfully crash tested to the frontal impact requirements of RESNA WC-4:2012, Section 19



WARNING

The WC20-approved **ADI 2.0** must be used on a wheelchair frame that provides four securement points and pelvic belt anchor points that conform to the requirements of RESNA WC-4:2012, Section 19.

Dealer Assistance

During first-time use by the client, it is advised that the dealer or service technician assist and explain the setup to the client (i.e., the user and or the attendant). If needed, the dealer can make final adjustments.



CAUTION

Do not attach the **ADI 2.0** with the user in the chair.

User Testing

It is important that the customer is fully aware of the installation, how to use it, and how it can be adjusted in order to gain as much mobility as possible. As a provider, complete the following steps and checks:

- Explain and show the customer how you have executed the installation, and explain the function of the hardware..
- If needed, adjust the hardware to the proper position.
- Explain possible problems to the customer and how to address them.



WARNING

Maximum Weight Capacity

300 lbs. (136.08 kg.)

Conditions of Use

The **ADI 2.0** is intended for use as installed by the dealer, in accordance with the installation instructions listed in this manual.

The foreseen conditions of use are communicated by the dealer or service technician to the user/attendant during the first use.

If the usage conditions change significantly, please contact your dealer or a qualified service technician to avoid excessive wear and tear or unintended damage.

Cleaning

- Use a soft cloth to clean the back shell.
- Hand wash the cover with mild, soapy water or detergent and let dry.
- Foam pad should NOT get wet.



WARNING

Do not machine wash or dry.
Do not hand wash in water temperatures above 160°F (70°C)
Do not immerse the foam in water.



CAUTION

Institutions must clean and disinfect this product
between multiple patient uses.

Disinfection

- Wipe gently with a cloth dampened with a household disinfectant.

SAFETY

Always check all mounting hardware,
making sure each fastener is properly tightened,
prior to using the back support.

NOTICE

Improper installation and/or alteration of an ADI back
in any way will void the warranty.



© 2023, Stealth Products, LLC

Warranty Information



Home Page



Online User Manual



Stealth Products, LLC · info@stealthproducts.com · www.stealthproducts.com
(800) 965-9229 | (512) 715-9995 | 104 John Kelly Drive, Burnet, TX 78611

P116D745R2

Apr 9, 2024