

**Stealth Products**<sup>®</sup>



**Head  
Support**



## **Anterior Head Support**

---

Owner's Manual - Maintenance Guide

Anterior Head Support Pad

**Customer Satisfaction ..... i**  
    General ..... i

**Important Information ..... ii-iii**  
    Warranty ..... ii  
    Warning Labels ..... iii  
    Limited Liability ..... iii  
    Testing ..... iii

**Installation Instructions ..... 1-2**  
    Operating Laterals ..... 1  
    Adjusting Laterals ..... 1  
    Standard Cane Mounting ..... 2

**First Time Use ..... 3**  
    Dealer Assistance ..... 3  
    User Testing ..... 3  
    Conditions of Use ..... 3

**Maintenance ..... 4**  
    Cleaning ..... 4  
    Maintenance ..... 4

**Notes ..... 5-6**

**Stealth Products** is committed to 100% customer satisfaction. Your complete satisfaction is important to us. Please contact us with feedback or suggestions to help us improve the quality and usability of our products.

You may reach us at:



**Stealth Products, LLC**

104 John Kelly Drive, Burnet, TX 78611

Phone: (512) 715-9995

Fax: (512) 715-9954

Toll Free: (800) 965-9229

Toll Free: (800) 806-1225

info@stealthproducts.com

www.stealthproducts.com



<p><b>EC REP</b></p> <p><b>MDSS GmbH</b> Schiffgraben 41 30175 Hannover Germany</p>	<p><b>CH REP</b></p> <p><b>SODIMED SA</b> Chemin Praz Devant 12 1032 Romanel sur-Lausanne Switzerland</p>	<p><b>UK Authorized Representative</b></p> <p><b>MDSS-UK RP</b> 6 Wilmslow Road, Rusholme Manchester M14 5TP United Kingdom</p>
---	---	---

**General**

Read and understand all instructions prior to the use of the product. Failure to adhere to instructions and warnings in this document may result in property damage, injury, or death. Product misuse or failure to follow instructions will void the warranty.

Immediately discontinue use if any function is compromised, if parts are missing or loose, or if any component shows signs of excessive wear. Consult with your supplier for repair, adjustment, or replacement.

All persons responsible for fitting, adjustment, and daily use of the devices discussed in these instructions must be familiar with and understand all safety aspects of the devices mentioned. In order for our products to be used successfully, you must read and understand all instructions and warnings, and maintain our products according to our instructions on care and maintenance.

The installation instructions will guide you through this product's options and possibilities.

Instructions are written with the expressed intent of use with standard configurations. They also contain important safety and maintenance information, as well as describe possible problems that can arise during use. For further assistance, or more advanced applications, please contact your supplier or **Stealth Products** at (512) 715-9995 or toll free at (800) 965-9229.

Always keep the operating instructions in a safe place so they may be referenced as necessary.

All information, pictures, illustrations, and specifications are based on the product information that was available at the time of printing. Pictures and illustrations shown in these instructions are representative examples and are not intended to be exact depictions of the various parts of the product.

 **CAUTION**

These products are designed to be fitted, applied, and installed exclusively by a healthcare professional trained for these purposes. The fitting, application, and installation by a non-qualified individual could result in serious injury.

## Warranty

Our products are designed, manufactured, and produced to the highest of standards. If any defect in material or workmanship is found, **Stealth Products** will repair or replace the product at our discretion. Any implied warranty, including the implied warranties of merchantability and fitness for a particular purpose, shall not extend beyond the duration of this warranty. **Stealth Products** does not warrant damage due to, but not limited to: Misuse, abuse, or misapplication of product, and/or modification of product without written approval from **Stealth Products, LLC**. Any alteration or lack of serial number, where applicable, will automatically void all warranty.

**Stealth Products, LLC** is liable for replacement parts only. **Stealth Products, LLC** is not liable for any incurred labor costs.

**Stealth Products** warrants against failure due to defective materials or workmanship:

**Covers: 2 years**  
**Hardware: 5 years**  
**Electronics: 3 years**

In the event of a product failure covered by our warranty, please follow the procedures outlined below:

Call **Stealth Products** at (512) 715-9995 or toll free at (800) 965-9229.

Request a Return Authorization (RA) form from the Returns Department and follow the documentation instructions.

You can download additional copies of this manual by accessing the Stealth website ([www.stlpro.site/stealth-docs](http://www.stlpro.site/stealth-docs)) and searching "Anterior Head Support" in the search bar at the top of the page.

## Supplier Reference

<b>Supplier:</b>	
<b>Telephone:</b>	
<b>Address:</b>	
<b>Purchase Date:</b>	
<b>Model:</b>	

## Warning Labels

Warnings are included for the safety of the user, client, operator, and property. Please read and understand what the signal words **DANGER**, **WARNING**, **CAUTION**, **NOTICE**, and **SAFETY** mean, and how they could affect the user, those around the user, and property.

### **DANGER**

Identifies an **imminent** situation which, if not avoided, may result in **severe injury, death, and property damage**.

### **WARNING**

Identifies a **potential** situation which, if not avoided, may result in **severe injury, death, and property damage**.

### **CAUTION**

Identifies a **potential** situation which, if not avoided, may result in **minor to moderate injury and property damage**.

### **NOTICE**

Identifies important information not related to injury, but possible **property damage**.

### **SAFETY**

Indicates steps or instructions for safe practices, reminders of safe procedures, or important safety equipment that may be necessary.

## Limited Liability

**Stealth Products, LLC** accepts no liability for personal injury or damage to property that may arise from the failure of the user or other persons to follow the recommendations, warnings, and instructions in this manual.

**Stealth Products** does not hold responsibility for final integration of final assembly of product to end user. **Stealth Products** is not liable for user death or injury.

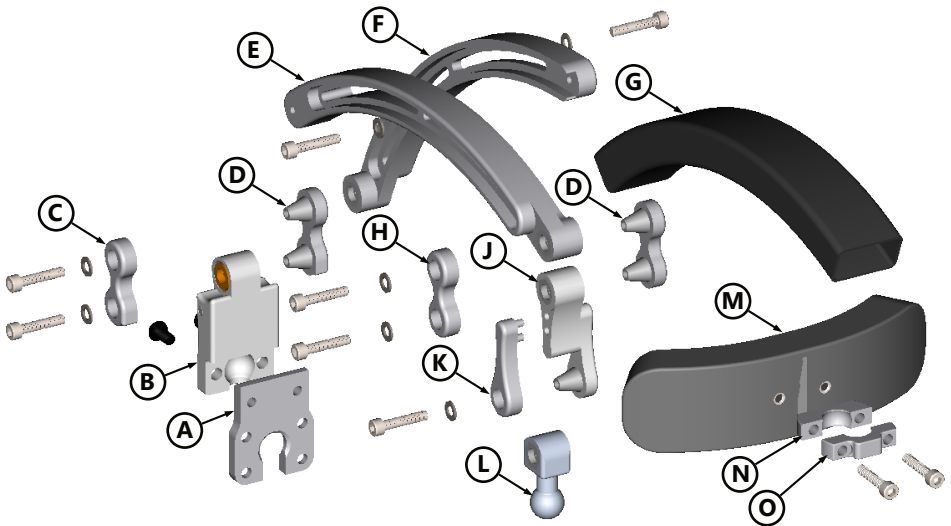
## Testing

Initial setup and driving should be done in an open area free of obstacles until the user is fully capable of driving safely.

## Intended Use

The Anterior Head Support is designed to improve positioning for users who exhibit reduced strength or stability of the head and neck. The hardware attaches to the rear of any Stealth 17mm headrest pad and allows the anterior forehead pad to be adjusted in height, angle, and depth. The Anterior Head Support hardware can be independently flipped back during transfers and other ADLs, but will remain firmly in place when used in conjunction with other swing-away systems. The anterior pad is curved, built upon a malleable base, and covered with CoolCore material to provide support, comfort, and temperature regulation for the end user.

## Parts Included



	Description	Qty
A	Adapter Ring	1
B	UniLink Flip-Down Mount	1
C	Flip-Down UniLink Coupler	1
D	1" Double Male Link	2
E	Curved, Adjustable Link, Slotted	1
F	Curved, Adjustable Link, Slotted, with Boss	1
G	Link Cover for Anterior Headrest	1
H	1" Double Male UniLink Coupler	1
J	2" Link with Added Clearance	1
K	2" UniLink Coupler	1
L	17mm Ball with Insert	1
M	UniLink Facial Pad, 6 X 1.5, Neoprene Gel	1
N	Clamp, Inner, 17MM Ball	1
O	Clamp, Outer, 17MM Ball	1

## Features

The Anterior Head Support features:

- Six to fourteen inches of depth adjustment from headrest pad to forehead pad.
- Forehead pad measures one and a half inches tall, six inches wide, and is adjustable for height, angle, and depth.
- A neoprene cover for the arm that supports the anterior pad.
- A CoolCore cover over gel provides the most comfortable fit for the end user.
- UniLink positioning elements at each end of the support arm ensure solid, precise, and repeatable adjustability.

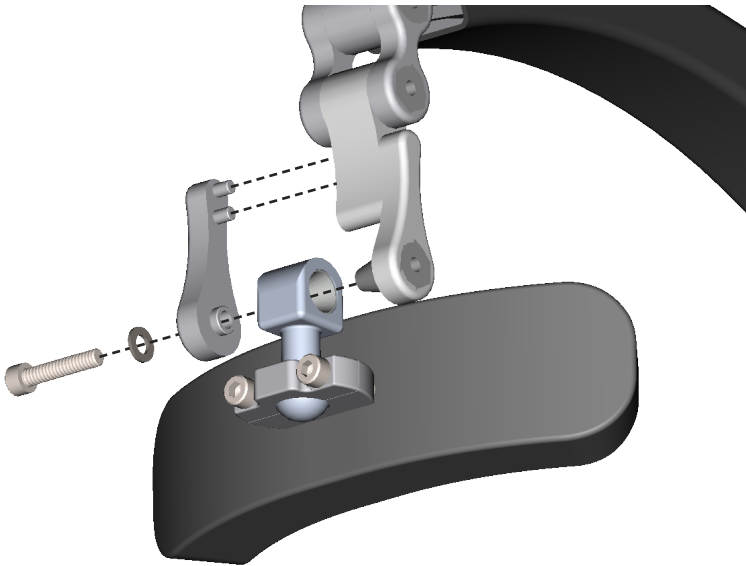
## Tools Required

- 4mm Hex Wrench



## Link Installation

The UniLinks used to connect the hardware to the headrest and the forehead pad are assembled as shown below. The screw can be loosened to adjust the angle of the link. Tightening the screw will secure the adjustment.



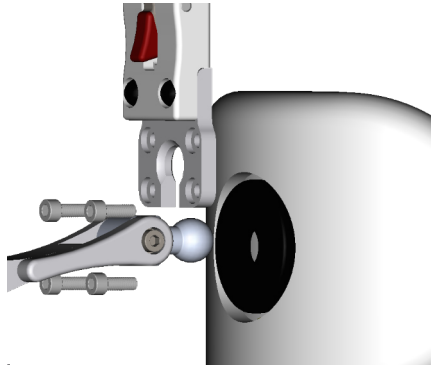
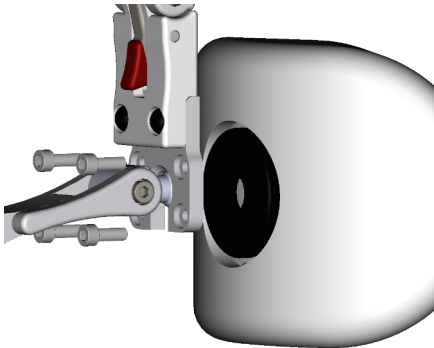
### CAUTION

Incorrect installation of the anterior head support can lead to irritation or injury for the user.

## Installing the Anterior Head Support

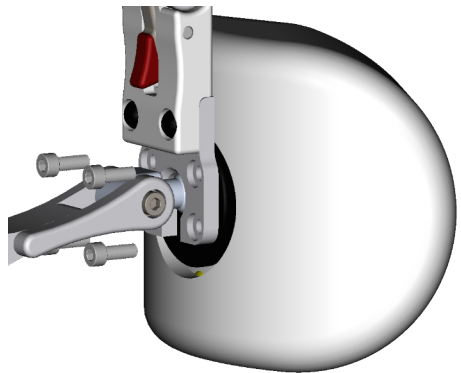
The Anterior Head Support mounts to any 17mm ball headrest hardware.

**Step 1** - If the headrest pad is already installed on the headrest hardware, remove the split ring that connects the headrest to the headrest hardware by removing the four socket head screws that attach the headrest pad to the 17mm ball.

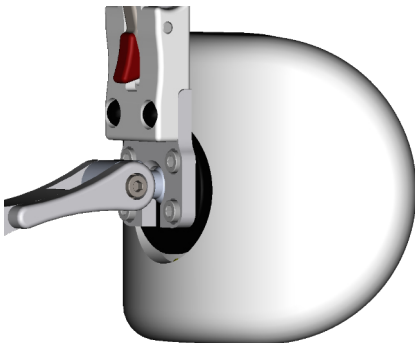


**Step 2** - Place the split ring adapter of the Anterior Head Support behind the 17mm ball and align the four holes with the four threaded holes in the mounting ring of the headrest pad.

**Step 3** - Install the four socket head screws to secure the split ring to the ring mount on the headrest pad. The socket head screws should be tightened in a pattern to maintain alignment of the split ring with the ring mount. They should be snug, but do not overtighten them, as this can cause damage to the 17mm ball or mounting surfaces.



**Step 4** - Ensure the split ring is parallel with the ring mount and the socket head screws are sufficiently tight to secure the headrest pad and Anterior Head Support in position.

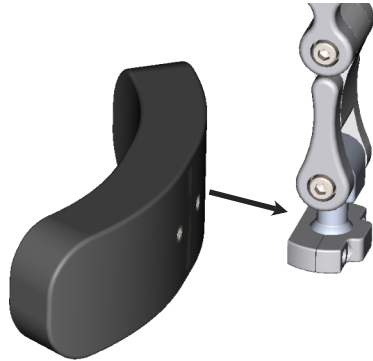
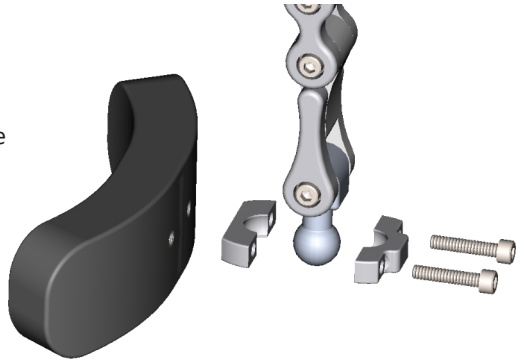




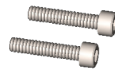
## Installing the Anterior Pad

The anterior support pad (forehead pad) is connected to the anterior head support by means of a set of clamps on a 17mm ball.

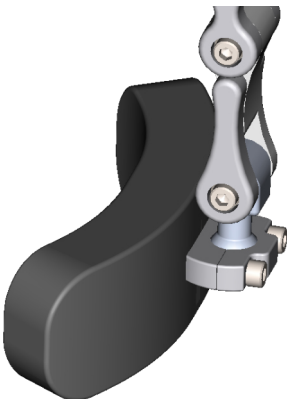
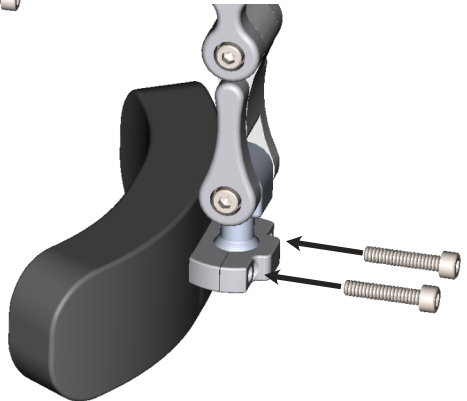
**Step 1** - Position the inner clamp and the outer clamp on the 17mm ball.



**Step 2** - Align the holes in the back of the anterior head pad with the holes in the inner and outer clamps. The pad should be in contact with the inner clamp.



**Step 3** - Fasten the anterior head pad to the clamps with two socket head screws.

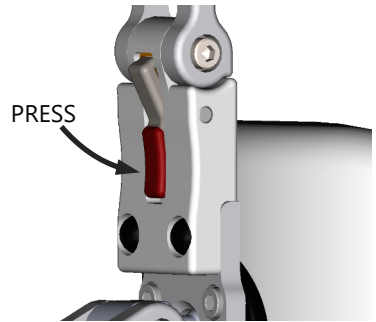


**Step 4** - Tighten the socket head screws to secure the position of the anterior pad on the 17mm ball.

## Flip-Back Operation

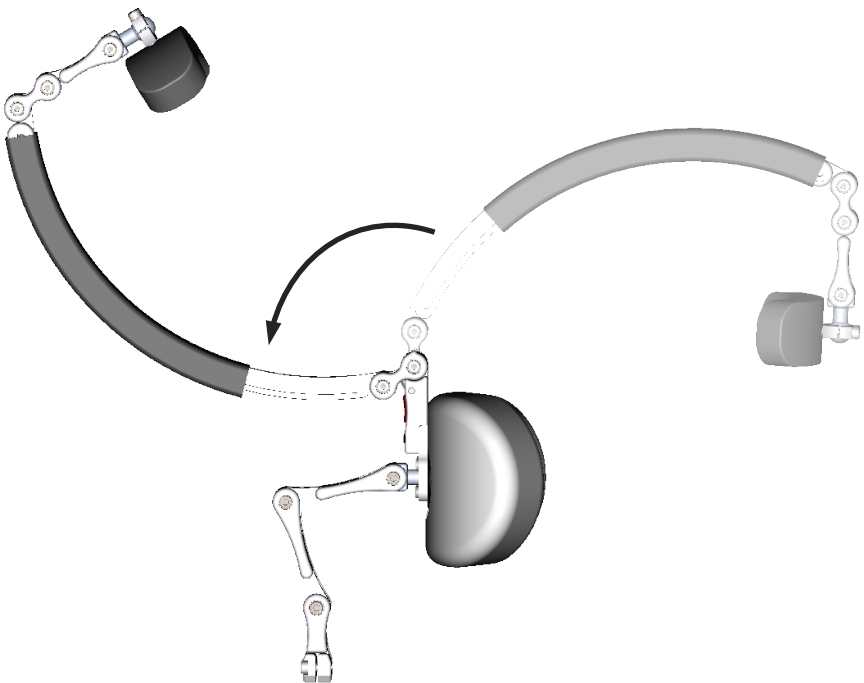


The red lever, located just above the mount point, is used to activate the flip back function of the head support.

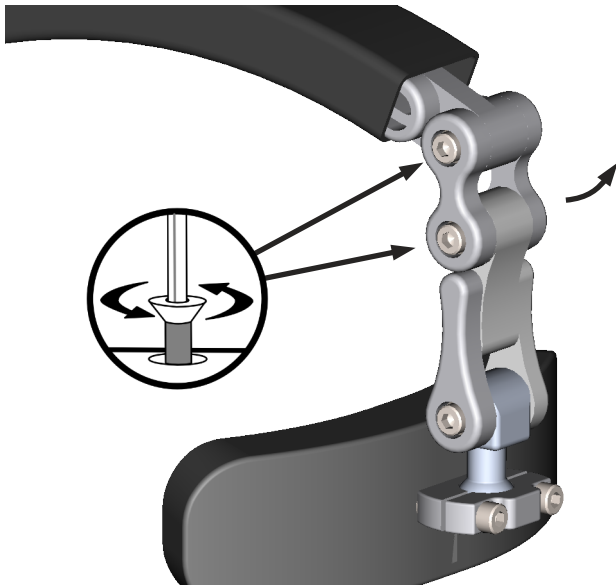


Depress the lever and pull back on the head support, as shown below. The head support will only flip backwards and is prevented from falling further forward by the design of the hinge.

When the user is seated in the chair and has their head against the headrest, flip the head support forward to return it to its active state. The latch should engage and hold the support arm in position.

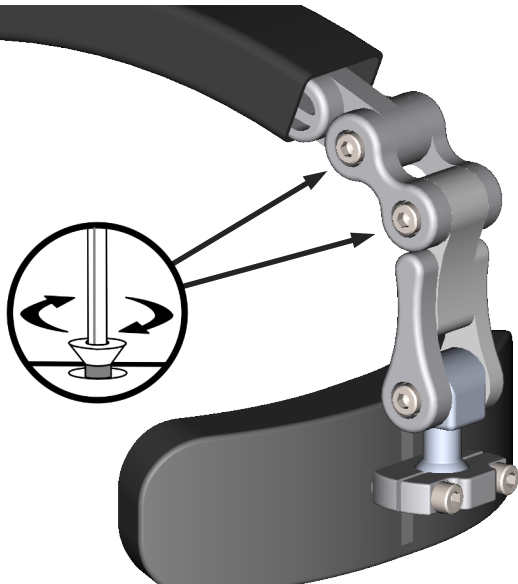


## Forehead Pad Adjustment



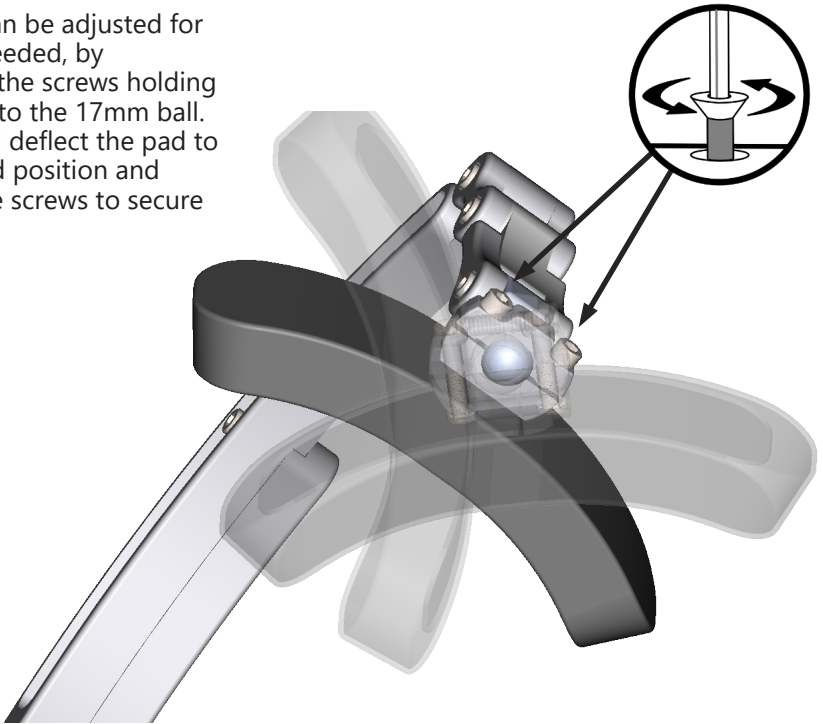
To adjust the forehead pad for depth, loosen the socket head screws at the junction(s) you wish to adjust.

Move the links to the desired positions and secure them by tightening the socket head screws.



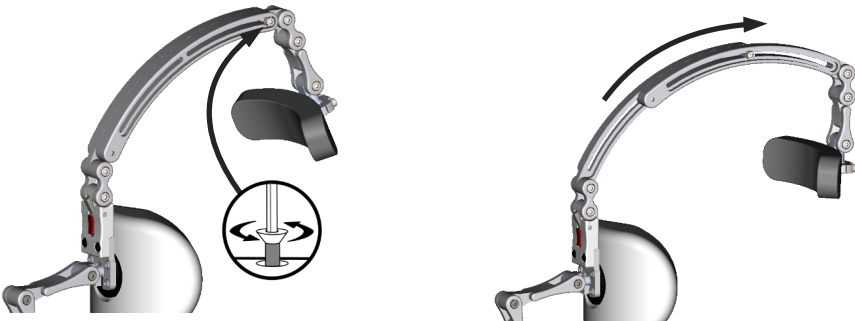
## Forehead Pad Adjustment

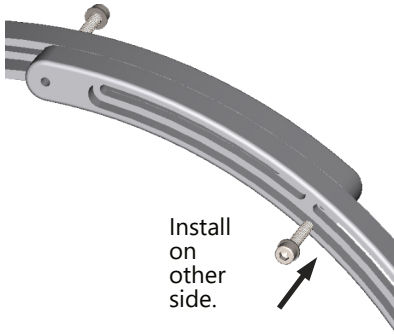
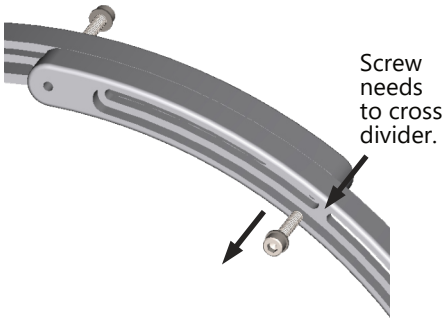
The pad can be adjusted for angle, if needed, by loosening the screws holding the clamp to the 17mm ball. Rotate and deflect the pad to the desired position and tighten the screws to secure it.



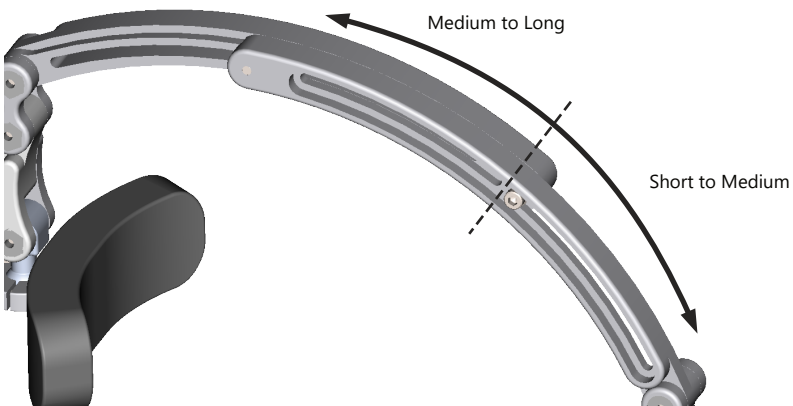
## Support Arm Adjustment

The support arm can be adjusted for length to accommodate differences in head size, angle, etc. Loosen the two socket head screws located along the length of the support arm and slide the halves along each other to make the arm shorter or longer, as needed.





The support arm has two ranges: short to medium, and medium to long. The screws must be removed to place the halves in the other range. If the support arm is not in the proper range for your installation, just remove the screws holding the halves of the support arm together, and reinstall them in the other slot on both halves.



## Dealer Assistance

During first time use by the client, it is advised that the dealer or service technician assists and explains the configuration to the customer (the user and/or the attendant). If needed, the dealer can make final adjustments.

## User Testing

It is important that the customer is fully aware of the installation and how the product can be adjusted in order to gain the best positioning possible. As a dealer, proceed as follows:

- Explain and show the client how you have executed the installation, and explain the function.

Have the user test the position of the product:

- Is the **Anterior Head Support** in the proper position for the client?
- Can the user safely operate the chair in the position in which they are seated?
- Is the placement of **Anterior Head Support** in an optimal position for the client?

## Conditions of Use

The **Anterior Head Support** is intended for use as installed by the dealer, in accordance to the installation instructions in this manual.

- The foreseen conditions of use are communicated by the dealer or service technician to the user and/or attendant during the first time use.
- If the conditions of use change significantly, please contact your dealer or a qualified service technician to avoid excessive wear and tear or unintended damage.

### Cleaning

If the cover on the anterior head support pad becomes dirty, gently remove it from the head support by stretching one side of the pad and slipping the edge past the metal plate and gel pad. Machine wash cover in cold water, delicate cycle, and let it drip dry.

To clean the rest of the hardware, use a soft, clean cloth dampened with a cleaner approved for finished aluminum and steel surfaces.

### Maintenance

- Periodically check the forehead pad for foam or cover breakdown and/or metal protruding through the gel or cover. This can be potentially dangerous to the user, and use of the pad should be suspended until it is repaired or replaced.
- Ensure all fasteners are present and sufficiently tightened to prevent malfunction or failure of parts.

#### **SAFETY**

Repair or replace parts as needed.



© 2023, Stealth Products, LLC

**Warranty Information**



**Home Page**



**Online User Manual**



Stealth Products, LLC · info@stealthproducts.com · www.stealthproducts.com  
(800) 965-9229 | (512) 715-9995 | 104 John Kelly Drive, Burnet, TX 78611