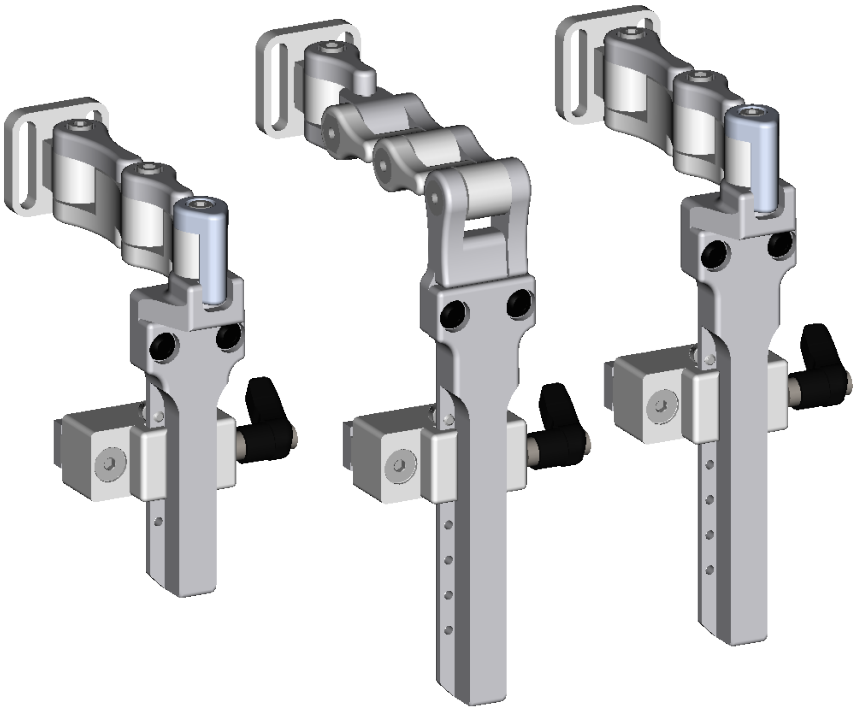


Stealth Products[®]



**Pelvic
Support**



UniLink™ Thigh Guides

Owner's Manual - Maintenance Guide

UniLink™ Thigh Guides



Table of Contents

Customer Satisfaction	i
Important Information	ii-iii
Warranty	ii
Supplier Reference.....	ii
Warning Labels.....	iii
Limited Liability.....	iii
Testing	iii
Design and Function	1-2
Intended Use.....	1
Features.....	1
Mounting.....	1
Parts and Accessories Breakdown	1
Hardware Parts.....	2
Installation Instructions	3-8
Preparations	3
Tools	3
Installation Plan	3
Required Tools.....	3
Installing the Mount.....	4
Installing the UniLink Thigh Guide Hardware	5
Installing the Pad to the Hardware	6
Height Adjustment	7
Link Adjustment.....	8
First Time Use	9
Dealer Assistance	9
User Testing.....	9
Conditions of Use	9
Maintenance	10
Cleaning.....	10
Disinfection.....	10
Maintenance	10

Stealth Products is committed to 100% customer satisfaction. Your complete satisfaction is important to us. Please contact us with feedback or suggestions to help us improve the quality and usability of our products.

You may reach us at:



Stealth Products, LLC

104 John Kelly Drive, Burnet, TX 78611

Phone: (512) 715-9995

Fax: (512) 715-9954

Toll Free: (800) 965-9229

Toll Free: (800) 806-1225

info@stealthproducts.com
www.stealthproducts.com



EC REP	CH REP	UK Authorized Representative
<p>MDSS GmbH Schiffgraben 41 30175 Hannover Germany</p>	<p>SODIMED SA Chemin Praz Devant 12 1032 Romanel sur-Lausanne Switzerland</p>	<p>MDSS-UK RP 6 Wilmslow Road, Rusholme Manchester M14 5TP United Kingdom</p>

General

Read and understand all instructions prior to the use of the product. Failure to adhere to instructions and warnings in this document may result in property damage, injury, or death. Product misuse or failure to follow instructions will void the warranty.

Immediately discontinue use if any function is compromised, if parts are missing or loose, or if any component shows signs of excessive wear. Consult with your supplier for repair, adjustment, or replacement.

All persons responsible for fitting, adjustment, and daily use of the devices discussed in these instructions must be familiar with and understand all safety aspects of the devices mentioned. In order for our products to be used successfully, you must read and understand all instructions and warnings, and maintain our products according to our instructions on care and maintenance.

The installation instructions will guide you through this product's options and possibilities.

Instructions are written with the expressed intent of use with standard configurations. They also contain important safety and maintenance information, as well as describe possible problems that can arise during use. For further assistance, or more advanced applications, please contact **Stealth Products** at (512) 715-9995 or toll free at (800) 965-9229 or your supplier.

Always keep the operating instructions in a safe place so they may be referenced as necessary.

All information, pictures, illustrations, and specifications are based on the product information that was available at the time of printing. Pictures and illustrations shown in these instructions are representative examples and are not intended to be exact depictions of the various parts of the product.

Important Information

CAUTION

These products are designed to be fitted, applied, and installed exclusively by a healthcare professional trained for these purposes. The fitting, application, and installation by a non-qualified individual could result in serious injury.

Warranty

Our products are designed, manufactured, and produced to the highest of standards. If any defect in material or workmanship is found, **Stealth Products** will repair or replace the product at our discretion. Any implied warranty, including the implied warranties of merchantability and fitness for a particular purpose, shall not extend beyond the duration of this warranty. **Stealth Products** does not warrant damage due to, but not limited to: Misuse, abuse, or misapplication of product, and/or modification of product without written approval from **Stealth Products, LLC**. Any alteration or lack of serial number, where applicable, will automatically void all warranty.

Stealth Products, LLC is liable for replacement parts only. **Stealth Products, LLC** is not liable for any incurred labor costs.

Stealth Products warrants against failure due to defective materials or workmanship:

Covers: 2 years

Hardware: 5 years

Electronics: 3 years

In the event of a product failure covered by our warranty, please follow the procedures outlined below:

Call **Stealth Products** at (512) 715-9995 or toll free at (800) 965-9229.

Request a Return Authorization (RA) form from the Returns Department and follow the documentation instructions.

You can download additional copies of this manual by accessing the Stealth website (www.stlpro.site/stealth-docs) and searching "UniLink Thigh Guides" in the search bar at the top of the page.

Supplier Reference

Supplier:	
Telephone:	
Address:	
Purchase Date:	
Model:	

Warning Labels

Warnings are included for the safety of the user, client, operator, and property. Please read and understand what the signal words **DANGER**, **WARNING**, **CAUTION**, **NOTICE**, and **SAFETY** mean, and how they could affect the user, those around the user, and property.



DANGER

Identifies an **imminent** situation which, if not avoided, may result in **severe injury, death, and property damage**.



WARNING

Identifies a **potential** situation which, if not avoided, may result in **severe injury, death, and property damage**.



CAUTION

Identifies a **potential** situation which, if not avoided, may result in **minor to moderate injury and property damage**.

NOTICE

Identifies important information not related to injury, but possible **property damage**.

SAFETY

Indicates steps or instructions for safe practices, reminders of safe procedures, or important safety equipment that may be necessary.

Limited Liability

Stealth Products, LLC accepts no liability for personal injury or damage to property that may arise from the failure of the user or other persons to follow the recommendations, warnings, and instructions in this manual.

Stealth Products does not hold responsibility for final integration of final assembly of product to end user. **Stealth Products** is not liable for user death or injury.

Testing

Initial setup and driving should be done in an open area free of obstacles until the user is fully capable of driving safely.

Intended Use

UniLink™ Thigh Guides are used to facilitate proper pelvic and thigh positioning with direct support. Angle, width, depth, and inclination adjustments allow maintenance of full surface contact while accommodating lower extremity postural anomalies. The thigh guides can be used to help when the thighs are abducted or windswept, and may also aid in guiding the hips into the proper position. The hardware allows for multiple points of adjustment, providing a natural fit.

Features

UniLink Thigh Guides feature:

- A link system for easy height, depth, fore, and aft adjustments;
- A track mounted on the pad for both height, fore, and aft adjustment;
- An ability to be removed for easier transfers;
- Adjustability to provide correct point of contact regardless of variance in seat cushion height;
- Links that provide a variety of options to meet clinical seating needs; and,
- Compatibility with chairs that feature track mounting.

Mounting

UniLink Thigh Guides are designed to be removable and provide additional width, angle, and depth adjustments, if needed. A T-Nut allows this hardware to mount for all chairs featuring track mounting.

Parts and Accessories Breakdown

A typical **UniLink Thigh Guide** package will come with:

1. Mounting Hardware

- The receiver mounting hardware is made of high strength aluminum and anodized to protect the surface. It is equipped with a ratchet handle to provide secure positioning, quick adjustment, and easy removal during transfers or cleaning.

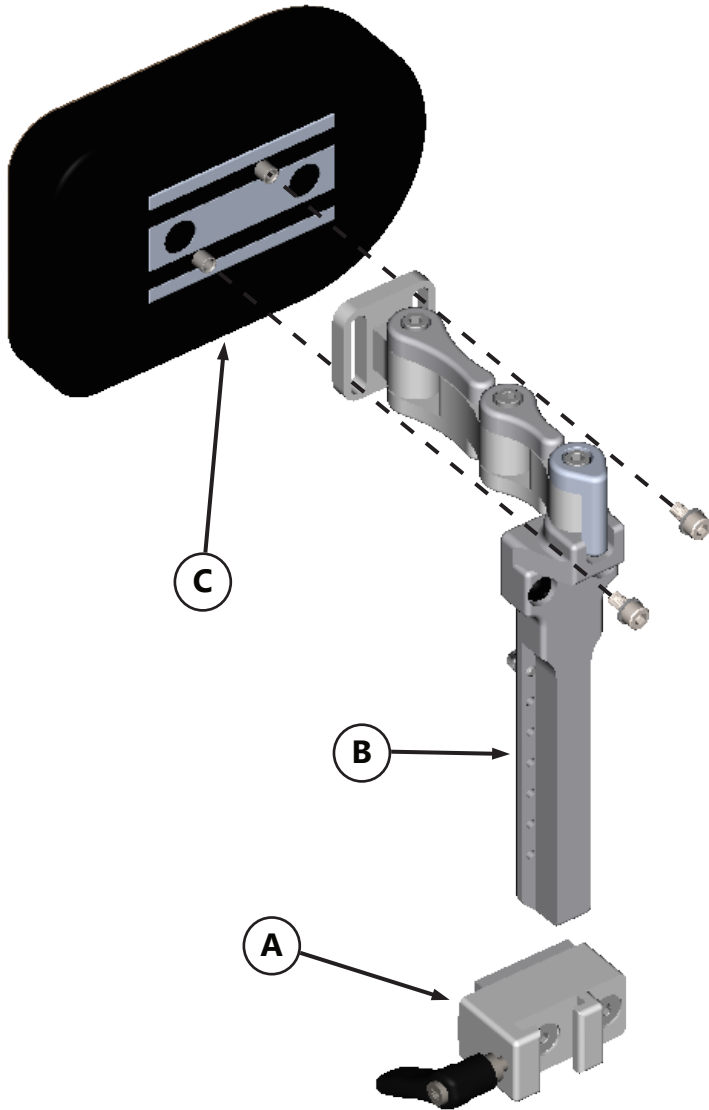
2. UniLink Thigh Guide Hardware

- The thigh guide hardware is high strength aluminum with a black anodized finish. The UniLink links provide multiple adjustment points to help achieve direct support.

3. Pad Support

- The thigh guide pads are covered with CoolCore® fabric which offers a high moisture-wicking and evaporation rate. This quality helps to regulate temperature for body parts that are in contact with the pad.

Hardware Parts



		Description	Qty
A	Mounting Hardware	Track Receiver	1
B	Thigh Guide Hardware	UniLink Thigh Guide Hardware	1
C	Thigh Guide Pad	Support Pad	1

Installation Instructions

Preparations

Only a qualified service technician should install the thigh guide and its accessories.

WARNING

Installing the thigh guides incorrectly may cause damage to the hardware and/or injury to the user.

Tools

Use the proper tools to install and adjust the thigh guides to the desired position for the user. Ensure all torque specifications are followed.

CAUTION

The use of improper tools may cause damage to the device. Inadequate tightening can cause components to become loose and cause discomfort for the user or premature failure.

Installation Plan

Set up an installation plan before beginning the installation. This plan should take into account:

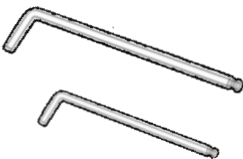
- Where the thigh guides will be placed, as well as applicable laterals and support cushions;
- How the thigh guides will be operated and how they will provide support; and,
- The amount of clearance necessary for other hardware and accessories.

CAUTION

Any connection must always be secured with all delivered screws. Use only the screws provided in the package.

Required Tools

The tools needed to complete the installation of the thigh guides are as follows:



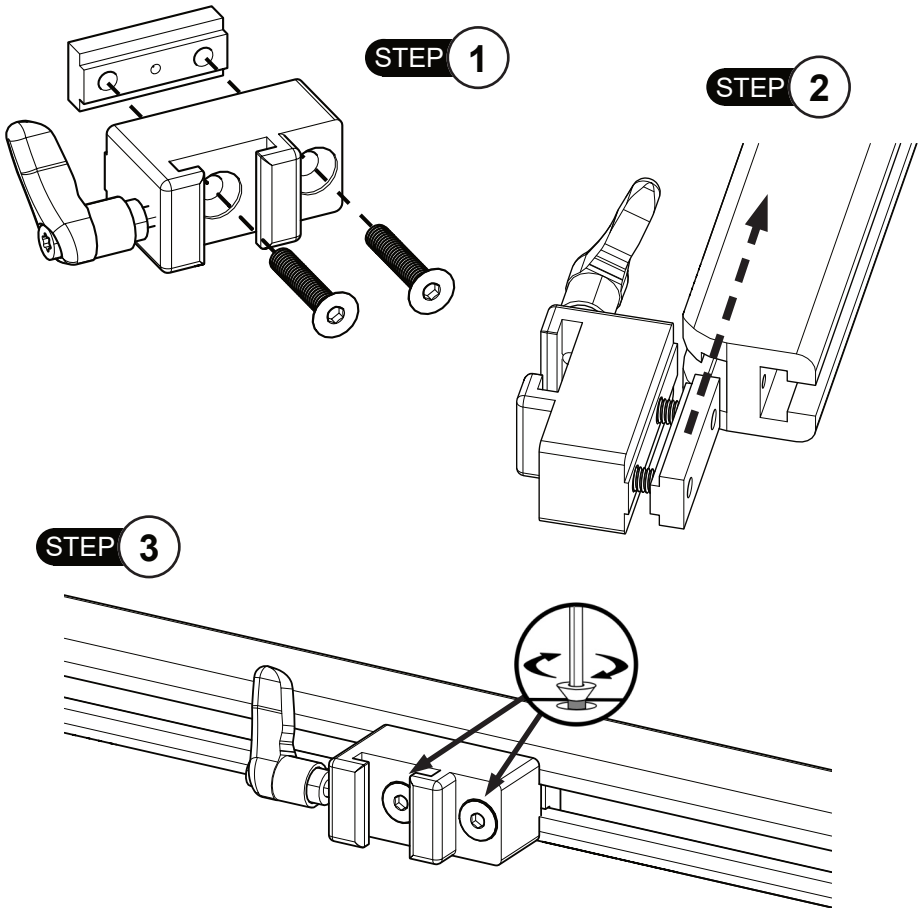
Hardware	Description
3mm Hex Key	Socket head screw stop guide
4mm Hex Key	Link adjustments, mounting t-nut, install thigh pad, installing track on pad*.
* These screws will come tightened on the hardware. (Tools are not provided)	

Installing the Mount

Step One: Using a 4mm hex key, attach the T-Nut to the mount using the M6 x 1 x 16mm Flat Head Screws. Leave the T-Nut loose on the mount so it may be inserted into the track. Run the stem into the receiver and tighten the ratchet lever, then loosen it no more than half a turn. Remove the stem from the receiver.

Step Two: Insert the T-Nut into the guide in the track. Slide the mount along the track and into the proper horizontal position for the thigh guide.

Step Three: Tighten the M6x1x16mm Flat Head Screws to secure the mount to the track.



⚠ CAUTION

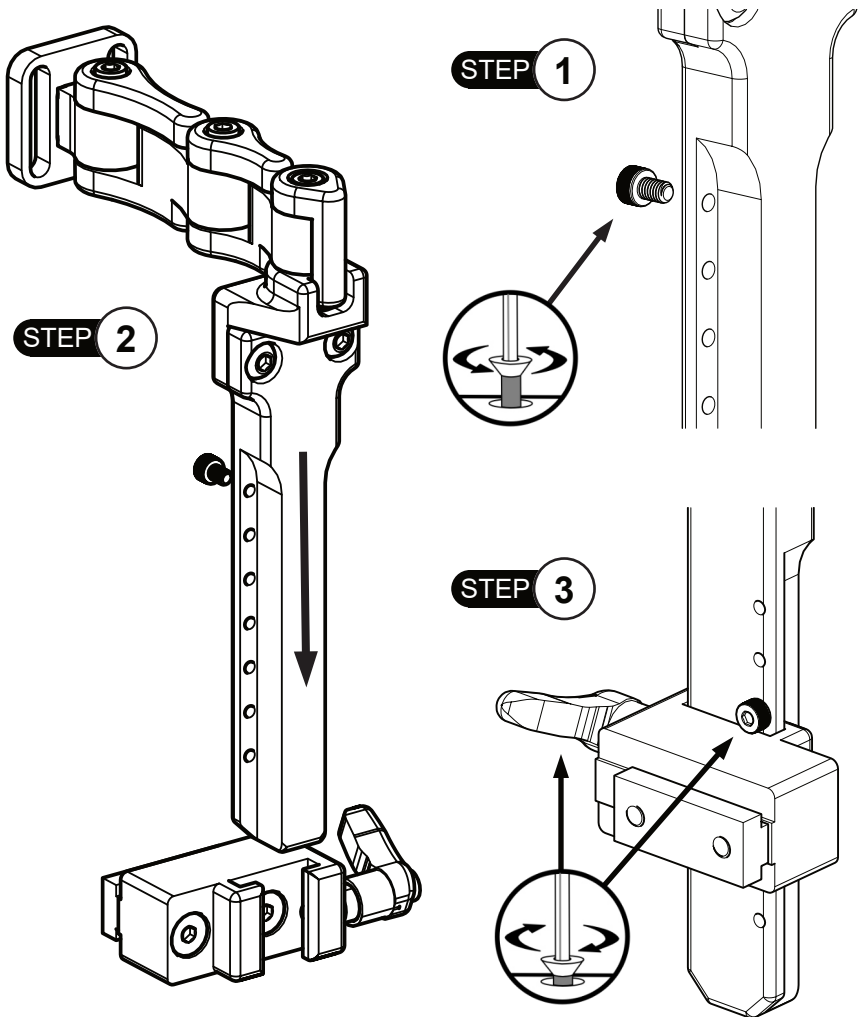
To avoid impact damage to the receiver or objects in the environment, ensure the ratchet handle is oriented parallel with the rest of the hardware.

Installing the UniLink Thigh Guide Hardware

Step One: Using a 3mm hex key, remove the socket head screw from the vertical track holes.

Step Two: Slide the thigh guide hardware into the mounting receiver and position at the approximate height required for the installation.

Step Three: Insert the M4 x 0.7 x 6mm socket head screw into the track hole located just above the surface of the receiver and tighten it. This screw will ensure that if the thigh guide is removed for transfer or other activity, it can be returned to the same position each time. Tighten the ratchet handle to secure the thigh guide in position.



Installing the Pad to the Hardware

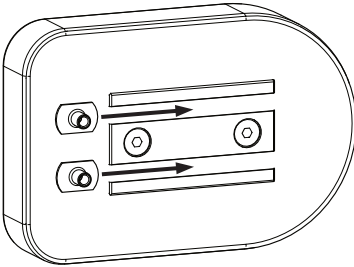
Step One: Slide the two M5 slab bases into the track mounted on the back of the cushion.

Step Two: Align the M5 slab bases with the slots in the thigh guide's mounting plate. Loosely install the two M5 x 0.8 x 10mm socket head screws and M5 washers into the slab bases.

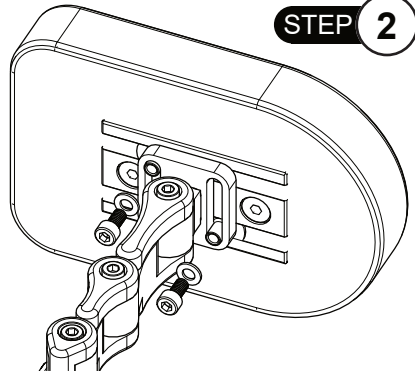
Step Three: Position the pad horizontally along the track and adjust the rotation of the pad (180° available rotation) as needed.

Step Four: Once positioning is complete, secure the pad in position by tightening the screws using a 4mm hex key.

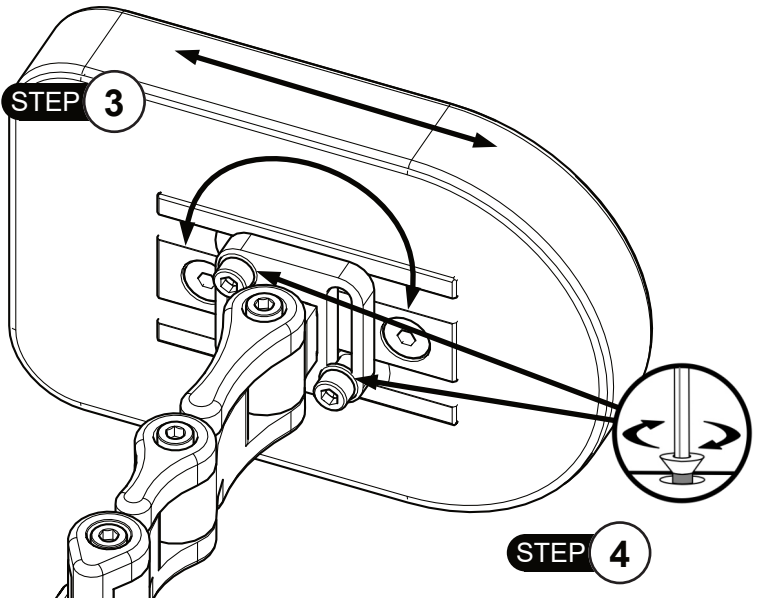
STEP 1



STEP 2



STEP 3



STEP 4

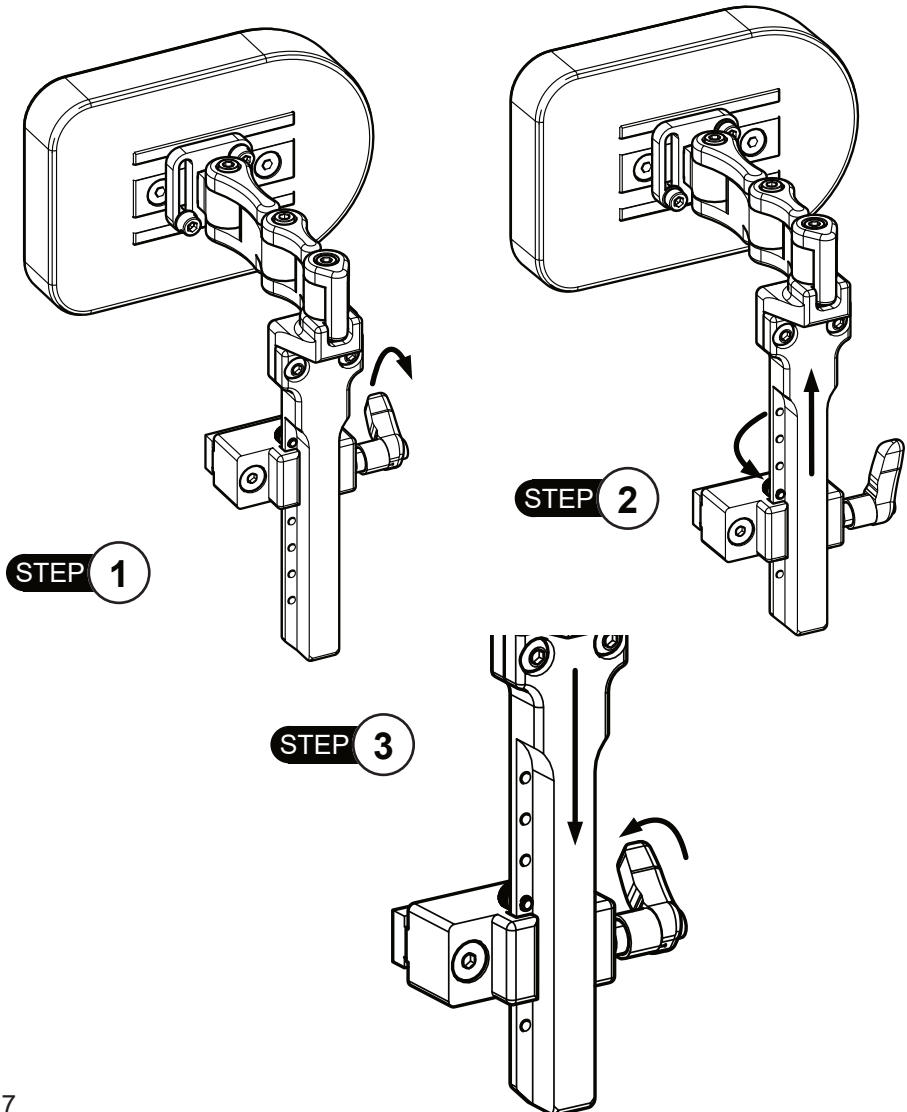
Installation Instructions

Height Adjustment

Step One: Loosen the ratchet handle until the thigh guide is free to move up and down in the receiver.

Step Two: Adjust the thigh guide to the desired height and reinstall the M4 x 0.7 x 6mm socket head screw in the hole just above the receiver. This will allow repeatable positioning if the thigh guide is temporarily removed during transfers or ADLs.

Step Three: Replace the thigh guide and tighten the ratchet handle to secure the thigh guide in the new position.

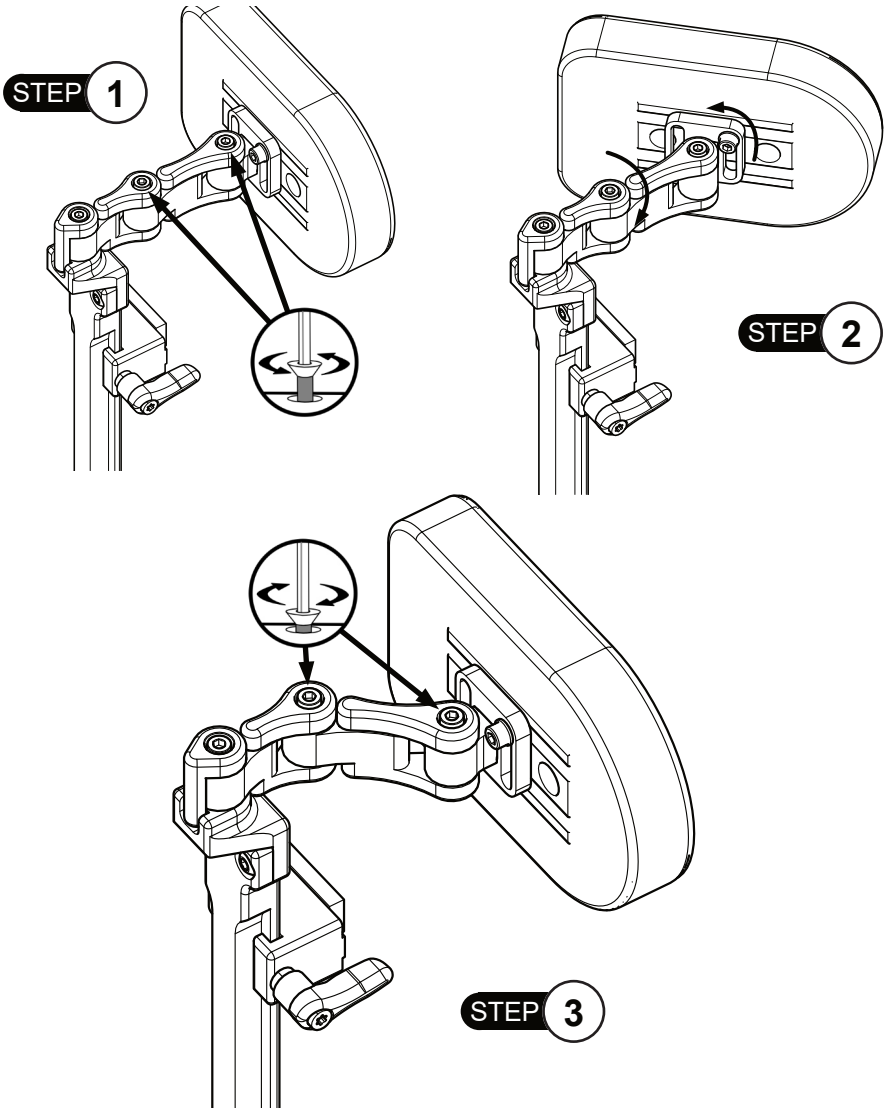


Link Adjustment

Step One: Using a 4mm hex key, loosen the M5 x 0.8 x 20mm socket head screw on the link(s) that need repositioning.

Step Two: Move the link(s) into the correct position.

Step Three: Tighten the socket head screw(s) using a 4mm hex key to secure it in place. Repeat and adjust additional links as needed.



First Time Use

Dealer Assistance

During first-time use by the user, it is advised that the dealer or service technician not only assembles the product, but also explains the configuration of user positioning to the user (i.e., the user and/or the attendant). If needed, the dealer can make final adjustments.

CAUTION

Always check all mounting hardware, making sure each fastener is properly tightened before using the lateral.

User Testing

It is important that the customer is fully aware of the installation of the **UniLink Thigh Guide**, how to use them, and how they can be adjusted to fit the client comfortably. As a dealer, proceed as follows:

Explain and show the customer how you have executed the installation and explain the function.

- Have the user test the position of the thigh guide.

Is the hardware in the proper position for the client?

- Can all controls be operated safely and with minimal effort?
- If needed, make any adjustments to the positioning.

Explain possible problems to the customer and how to address them.

SAFETY

Repair or replace parts as needed

CAUTION

Do not immerse foam in water.

Conditions of Use

The **UniLink Thigh Guide** is intended for use as installed by the dealer, in accordance to the installation instructions in this manual.

- Ensure the foreseen conditions of use are communicated by the dealer or service technician to the user and/or attendant during the first-time use.
- If usage conditions change significantly, please contact your dealer or qualified service technician to avoid unintended damage.

WARNING

Monitor the foam for breakdown and replace as needed.
Do not use thigh guide if foam is damaged or deteriorated.

Cleaning

- To clean the hardware or pad cover, use a soft cloth dampened with a cleaner approved for finished steel, aluminum, plastic, and upholstered surfaces.
- Avoid allowing liquid to soak through the cover and into the pad.
- To remove dirt and debris from the zipper teeth, use a soft brush with mild soap and water.

To machine wash the covers of the **UniLink Thigh Guide**:

- Uninstall the pad by removing the two button head screws securing it to the lateral.
- Remove the track from the pad by removing the two flat head screws securing it in place. The two track nuts located in the track can fall free of the track once it is uninstalled. Be careful not to lose them.
- Unfasten the cover and remove it from the pad. Hand wash the cover in water temperatures lower than 160°F (70°C) and allow to drip dry.
- Replace the cover on the pad, ensuring that the holes in the cover align with the holes in the pad. Fasten it closed, using either the zipper or the hook and loop, and install the track on the back of the pad with the two flat head screws.
- Install the pad to the lateral with the two button head screws.

CAUTION

Exercise care when zipping/unzipping the cover so as not to catch hair, wires, or anything else that could be caught in the path.

CAUTION

Take care when removing the thigh guide not to puncture, tear, or otherwise damage the fabric or foam.

NOTICE

DO NOT iron. DO NOT use bleach. DO NOT machine wash or dry.
Hand wash only in water temperatures below 160°F (70°C)

Disinfection

- Wipe lateral and pad cover gently with a cloth dampened with a household disinfectant.
- Avoid allowing liquid to soak through the cover and into the pad.
- Allow pad and cover to air dry thoroughly prior to use.

Maintenance

These care and guideline instructions will keep the hardware and covers in good condition for a longer period of time and prevent damage:

- Check and tighten all fasteners on a regular basis.
- Check the pad/cover for any breakdown.
- Repair or replace parts as needed.
- Gently remove dust and dirt from hardware with a damp cloth.



© 2024, Stealth Products, LLC

Warranty Information



Home Page



Online User Manual



Stealth Products, LLC · info@stealthproducts.com · www.stealthproducts.com
(800) 965-9229 | (512) 715-9995 | 104 John Kelly Drive, Burnet, TX 78611