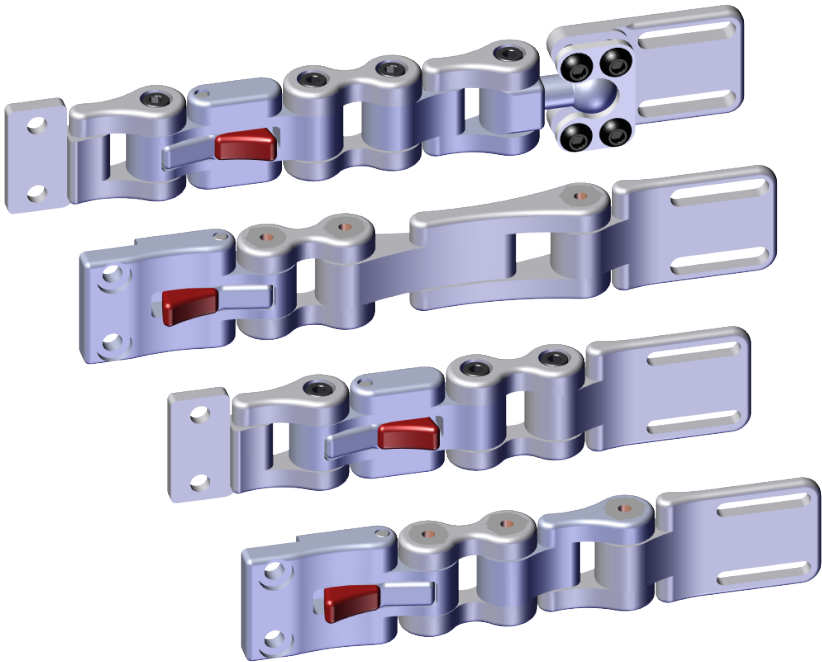


**Stealth Products**<sup>®</sup>



**Lateral and  
Trunk Support**



## **UniLink Laterals**

---

Owner's Manual  
and Maintenance Guide



## Table of Contents

<b>Customer Satisfaction .....</b>	<b>i</b>
General .....	i
<b>Important Information .....</b>	<b>ii-iii</b>
Warranty .....	ii
Warning Labels.....	iii
Limited Liability.....	iii
Testing .....	iii
<b>Design and Function .....</b>	<b>1</b>
Operating Laterals .....	1
Adjusting Adductors .....	1
<b>Installation .....</b>	<b>1-2</b>
Standard Track Mounting .....	1
Standard Cane Mounting.....	2
All-Season Mounting.....	3
Full-Surface Contact Mounting .....	3
<b>Quantum TB4 Installation .....</b>	<b>4-5</b>
Installation .....	4
Adjustment.....	5
<b>First Time Use .....</b>	<b>6</b>
Dealer Assistance .....	6
User Testing.....	6
Conditions of Use .....	6
<b>Maintenance .....</b>	<b>7</b>
Cleaning.....	7
Maintenance .....	7
<b>Notes .....</b>	<b>8-10</b>

**Stealth Products** is committed to 100% customer satisfaction. Your complete satisfaction is important to us. Please contact us with feedback or suggestions to help us improve the quality and usability of our products.

You may reach us at:



**Stealth Products, LLC**  
104 John Kelly Drive, Burnet, TX 78611

Phone: (512) 715-9995

Fax: (512) 715-9954

Toll Free: (800) 965-9229

Toll Free: (800) 806-1225

info@stealthproducts.com

www.stealthproducts.com



<table border="1" style="margin: 0 auto; border-collapse: collapse;"> <tr> <td style="padding: 2px;">EC</td> <td style="padding: 2px;">REP</td> </tr> </table> <p><b>MDSS GmbH</b> Schiffgraben 41 30175 Hannover Germany</p>	EC	REP	<table border="1" style="margin: 0 auto; border-collapse: collapse;"> <tr> <td style="padding: 2px;">CH</td> <td style="padding: 2px;">REP</td> </tr> </table> <p><b>SODIMED SA</b> Chemin Praz Devant 12 1032 Romanel sur-Lausanne Switzerland</p>	CH	REP	<p><b>UK Authorized Representative</b></p> <p><b>MDSS-UK RP</b> 6 Wilmslow Road, Rusholme Manchester M14 5TP United Kingdom</p>
EC	REP					
CH	REP					

## General

Read and understand all instructions prior to the use of the product. Failure to adhere to instructions and warnings in this document may result in property damage, injury, or death. Product misuse or failure to follow instructions will void the warranty.

Immediately discontinue use if any function is compromised, if parts are missing or loose, or if any component shows signs of excessive wear. Consult with your supplier for repair, adjustment, or replacement.

All persons responsible for fitting, adjustment, and daily use of the devices discussed in these instructions must be familiar with and understand all safety aspects of the devices mentioned. In order for our products to be used successfully, you must read and understand all instructions and warnings, and maintain our products according to our instructions on care and maintenance.

The installation instructions will guide you through this product's options and possibilities.

Instructions are written with the expressed intent of use with standard configurations. They also contain important safety and maintenance information, as well as describe possible problems that can arise during use. For further assistance, or more advanced applications, please contact your supplier or **Stealth Products** at (512) 715-9995 or toll free at (800) 965-9229.

Always keep the operating instructions in a safe place so they may be referenced as necessary.

All information, pictures, illustrations, and specifications are based on the product information that was available at the time of printing. Pictures and illustrations shown in these instructions are representative examples and are not intended to be exact depictions of the various parts of the product.

## Important Information

### CAUTION

These products are designed to be fitted, applied, and installed exclusively by a healthcare professional trained for these purposes. The fitting, application, and installation by a non-qualified individual could result in serious injury.

## Warranty

Our products are designed, manufactured, and produced to the highest of standards. If any defect in material or workmanship is found, **Stealth Products** will repair or replace the product at our discretion. Any implied warranty, including the implied warranties of merchantability and fitness for a particular purpose, shall not extend beyond the duration of this warranty. **Stealth Products** does not warrant damage due to, but not limited to: Misuse, abuse, or misapplication of product, and/or modification of product without written approval from **Stealth Products, LLC**. Any alteration or lack of serial number, where applicable, will automatically void all warranty.

**Stealth Products, LLC** is liable for replacement parts only. **Stealth Products, LLC** is not liable for any incurred labor costs.

**Stealth Products** warrants against failure due to defective materials or workmanship:

**Covers: 2 years**  
**Hardware: 5 years**  
**Electronics: 3 years**

In the event of a product failure covered by our warranty, please follow the procedures outlined below:

Call **Stealth Products** at (512) 715-9995 or toll free at (800) 965-9229.

Request a Return Authorization (RA) form from the Returns Department and follow the documentation instructions.

You can download additional copies of this manual by accessing the Stealth website ([www.stlpro.site/stealth-docs](http://www.stlpro.site/stealth-docs)) and searching "UniLink Laterals" in the search bar at the top of the page.

## Supplier Reference

<b>Supplier:</b>	
<b>Telephone:</b>	
<b>Address:</b>	
<b>Purchase Date:</b>	
<b>Model:</b>	

## Warning Labels

Warnings are included for the safety of the user, client, operator, and property. Please read and understand what the signal words **DANGER**, **WARNING**, **CAUTION**, **NOTICE**, and **SAFETY** mean, and how they could affect the user, those around the user, and property.

### **DANGER**

Identifies an **imminent** situation which, if not avoided, may result in **severe injury, death, and property damage**.

### **WARNING**

Identifies a **potential** situation which, if not avoided, may result in **severe injury, death, and property damage**.

### **CAUTION**

Identifies a **potential** situation which, if not avoided, may result in **minor to moderate injury and property damage**.

### **NOTICE**

Identifies important information not related to injury, but possible **property damage**.

### **SAFETY**

Indicates steps or instructions for safe practices, reminders of safe procedures, or important safety equipment that may be necessary.

## Limited Liability

**Stealth Products, LLC** accepts no liability for personal injury or damage to property that may arise from the failure of the user or other persons to follow the recommendations, warnings, and instructions in this manual.

**Stealth Products** does not hold responsibility for final integration of final assembly of product to end user. **Stealth Products** is not liable for user death or injury.

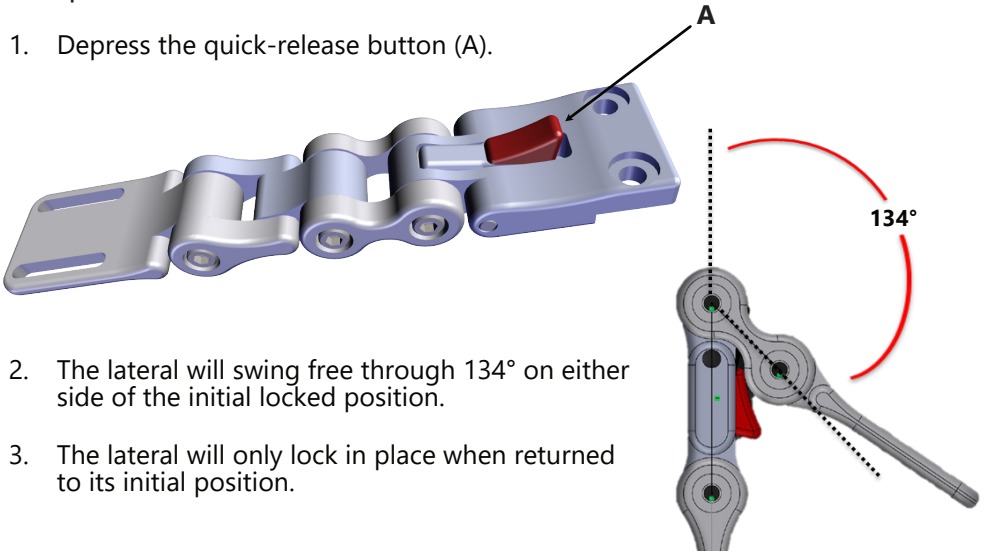
## Testing

Initial setup and driving should be done in an open area free of obstacles until the user is fully capable of driving safely.

### Operating Laterals

To operate the laterals:

1. Depress the quick-release button (A).



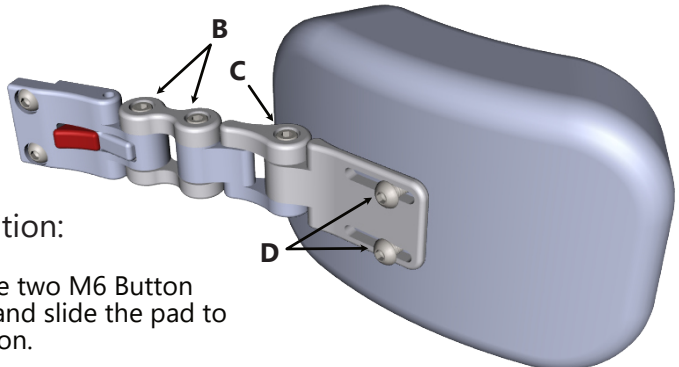
2. The lateral will swing free through 134° on either side of the initial locked position.
3. The lateral will only lock in place when returned to its initial position.

### Adjusting Adductors

Standard laterals offer three points of adjustment:

To adjust links (B) and (C):

1. Slightly loosen the M5 x .8 x 25mm Socket Head Screws at (B) and (C).
2. Set desired angles and re-tighten screws to secure the adjustments.



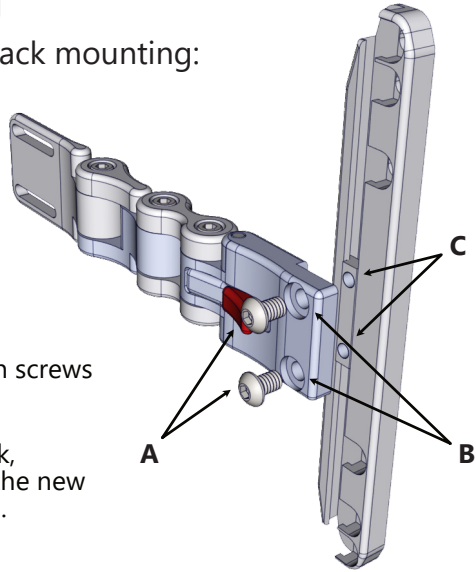
To adjust pad position:

1. Slightly loosen the two M6 Button Head Screws (D) and slide the pad to the desired position.
2. Tighten screws. *Do not over-tighten.*

## Standard Track Mounting

To install and adjust standard track mounting:

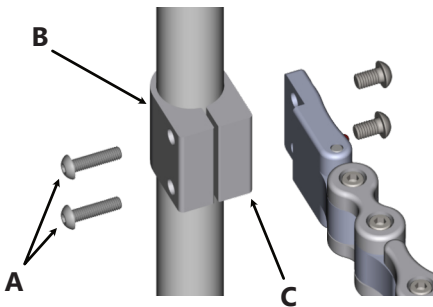
1. Insert the M6 x 1.0 x 12mm Button Head Screws (A) through the counter bored holes (B) and into the threaded holes of the Universal Track Nut (C).
2. Set desired position and tighten screws with an M4 Hex Wrench.
3. To adjust the lateral on the track, loosen the screws and slide to the new position. Re-tighten the screws.



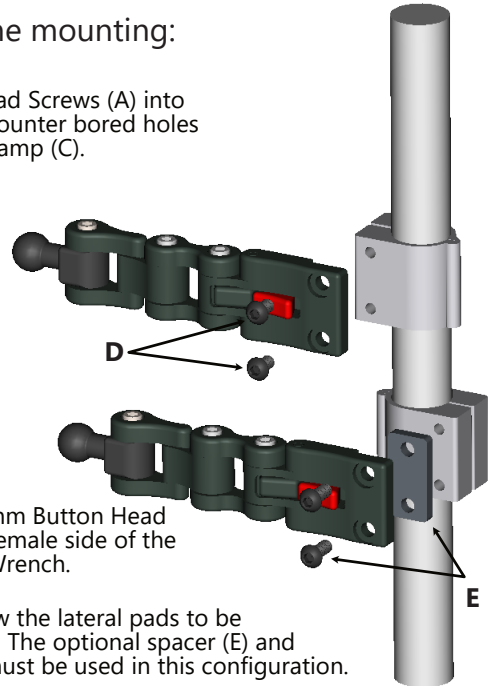
## Standard Cane Mounting

To install and adjust standard cane mounting:

1. Insert the M6 x 1.0 x 20mm Button Head Screws (A) into the male tube clamp (B) through the counter bored holes and into the female side of the tube clamp (C).



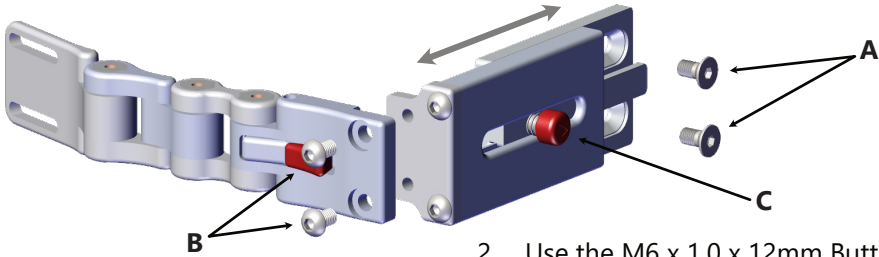
2. Attach the lateral using M6 x 1.0 x 12mm Button Head Screws (D) and mount directly to the female side of the cane clamp. Tighten with an M4 Hex Wrench.
3. The cane clamp can be rotated to allow the lateral pads to be positioned closer to the back support. The optional spacer (E) and provided 14mm button head screws must be used in this configuration.
4. To adjust the lateral on the cane, loosen the M6 x 1.0 x 20mm Button Head Screws (A) and slide the clamp to desired position. Tighten the screws.



### All Season Mounting

To install and adjust the All Season mounts:

1. Attach the All Season bracket to the chair by using the M6 x 1.0 x 12mm Flat Head Screws (A). Tighten with an M4 Hex Wrench.

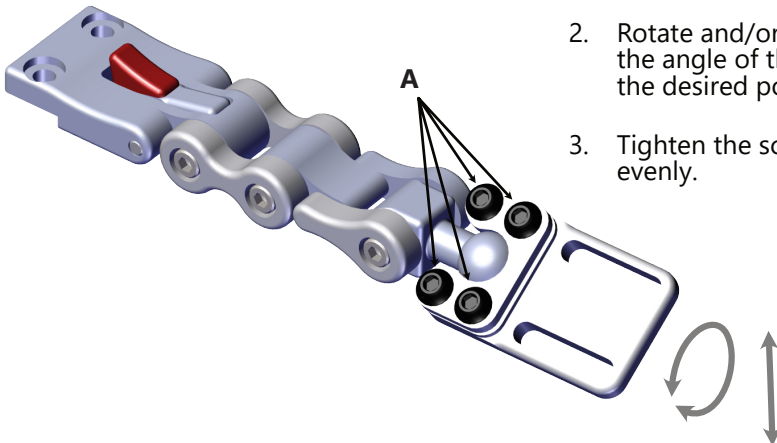


2. Use the M6 x 1.0 x 12mm Button Head Screws (B) to directly mount the lateral to the all-season bracket. Tighten with an M4 Hex Wrench.
3. Depress the red button (C) and slide the mount to make lateral adjustments in half-inch increments.

### Full-Surface Contact Mounting

The full-surface contact mounts are pre-assembled before they are delivered. To adjust the angle of the pad mount:

1. Loosen the M6 x 1.0 x 12mm Button Head Screws (A) with a M4 Hex Wrench.
2. Rotate and/or adjust the angle of the pad to the desired position.
3. Tighten the screws evenly.





## Quantum Redesigned Backrest - TB4

### Parts Required:

1x UIMBKITB4 (per lateral hardware)

- 1 - 125° Lateral mounting bracket
- 1 - Base slab nut
- 2 - M6 x 1 x 12mm Button Head Screw
- 2 - M6 x 1 x 16mm Button Head Screw
- 1 - Two hole lateral washer

UniLink Lateral Hardware Package



### Redesigned Back Lateral Cover



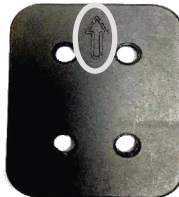
### NOTICE

Height value stamped on the inside of the cover needs to match the height of the backrest it is to be installed on.

### Tools Needed:

4mm Hex Key

### Installation Steps:



**1.** Install the square base slab nut plate, with 4 holes, into the lateral cover's vertical slot. *(Make sure the arrows are pointing up)*



**2.** Slide the angled 125° lateral mounting bracket in behind the square plate in the lateral cover slot.

## Installation

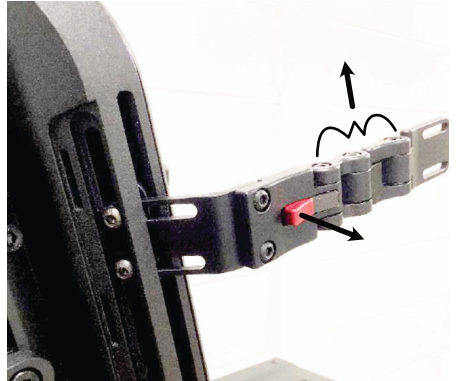
3. The 2-hole lateral washer then goes in the outer slot, facing the rear of the chair, vertically. Line the bolt holes up with the *125° lateral mounting bracket* and the square base slab nut plate and install the two *M6x1x16mm button head screws* using a 4mm hex key.

*(The screws will pass through the lateral washer, through the lateral mounting bracket and thread into the slab base nut.)*



4. Install the *UniLink lateral hardware* onto the 125° lateral mounting bracket using two *M6x1x12mm button head screws*. Tighten with a 4mm hex key.

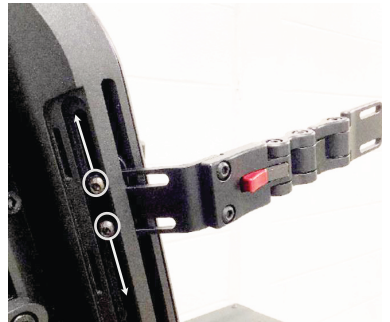
(The red release lever should be facing away from the End User with the UniLink adjustment bolts facing up, as shown to the right)



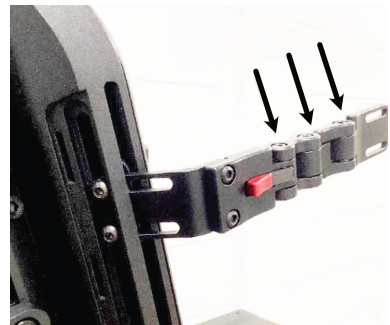
## Adjustments

Adjustments can be made from the rear of the chair without disturbing the position of the End User.

1. To adjust the lateral bracket position, use the 4mm hex key to loosen the two M6 x 1 x 12mm button head screws facing the rear of the chair. *(Once loosened, the lateral hardware can be adjusted for height and width.)*



2. To adjust the UniLink joints, use a 4mm hex key to loosen the compression screws on the desired UniLink joints. Move to the desired position and tighten to lock in the position.



## Dealer Assistance

During first time use by the client, it is advised that the dealer or service technician assists and explains the configuration to the customer (the user and/or the attendant). If needed, the dealer can make final adjustments.

### CAUTION

The laterals should only be installed and/or adjusted by a qualified healthcare professional.

## User Testing

It is important that the customer is fully aware of the installation of the **UniLink Laterals**, how to use them, and how they can be adjusted in order to gain the best positioning possible. As a dealer, proceed as follows:

- Explain and show the client how you have executed the installation, and explain the function.

Have the user test the position of the product:

- Are the **UniLink Laterals** in the proper position for the client?
- Can the user safely operate the chair in the position in which they are seated?
- Is the placement of the **UniLink Laterals** in an optimal position for the client?

## Conditions of Use

The **UniLink Laterals** are intended for use as installed by the dealer, in accordance to the installation instructions in this manual.

- The foreseen conditions of use are communicated by the dealer or service technician to the user and/or attendant during the first time use.
- If the conditions of use change significantly, please contact your dealer or a qualified service technician to avoid excessive wear and tear or unintended damage.

### Cleaning

To wash the covers of the laterals:

- Remove the pad/cover from the laterals.
- Machine wash in cold water on delicate cycle and drip dry.
- Do not allow the foam to get wet.

DO NOT iron. DO NOT use bleach.

### Maintenance

Periodically check the hardware for loose screws or worn areas.

Check the pad/cover for any breakdown.

Gently remove dust and dirt with a damp cloth.

#### **SAFETY**

Repair or replace parts as needed.

#### **NOTICE**

UniLink laterals have been designed to function with an intended user weight not to exceed 250 pounds. For special considerations beyond this range, please consult your dealer or a sales representative.









© 2023, Stealth Products, LLC

**Warranty Information**



**Home Page**



**Online User Manual**



Stealth Products, LLC · info@stealthproducts.com · www.stealthproducts.com  
(800) 965-9229 | (512) 715-9995 | 104 John Kelly Drive, Burnet, TX 78611