



Tone Deflector

Owner's Manual - Maintenance Guide
Tone Deflector

TD100M (17mm)

Customer Satisfaction 1

Important Information 2-3

 Warranty 2

 Supplier Reference..... 2

 Warning Labels..... 3

 Limited Liability..... 3

 Testing 3

Design and Function 4

 Intended Use..... 4

 Features..... 4

 Mounting..... 4

Parts and Accessories 5

 Mounting Hardware Parts for TD100M..... 5

Installation Instructions 6-8

 Installation Plan 6

 Installing the Tone Deflector to the Headrest..... 6-7

 Mounting the Headrest Hardware 8

First-Time Use..... 9-11

 Dealer Assistance 10

 User Testing..... 10

 Conditions of Use 10

 Cleaning..... 11

Stealth Products is committed to 100% customer satisfaction. Your complete satisfaction is important to us. Please contact us with feedback or suggestions to help us improve the quality and usability of our products.

You may reach us at:



Stealth Products, LLC

104 John Kelly Drive, Burnet, TX 78611

Phone: (512) 715-9995

Fax: (512) 715-9954

Toll Free: (800) 965-9229

Toll Free: (800) 806-1225

info@stealthproducts.com

www.stealthproducts.com



<p>EC REP</p> <p>MDSS GmbH Schiffgraben 41 30175 Hannover Germany</p>	<p>CH REP</p> <p>SODIMED SA Chemin Praz Devant 12 1032 Romanel sur-Lausanne Switzerland</p>	<p>UK Authorized Representative</p> <p>MDSS-UK RP 6 Wilmslow Road, Rusholme Manchester M14 5TP United Kingdom</p>
--	--	--

General

Read and understand all instructions prior to the use of the product. Failure to adhere to instructions and warnings in this document may result in property damage, injury, or death. Product misuse or failure to follow instructions will void the warranty.

Immediately discontinue use if any function is compromised, if parts are missing or loose, or if any component shows signs of excessive wear. Consult with your supplier for repair, adjustment, or replacement.

All persons responsible for fitting, adjustment, and daily use of the devices discussed in these instructions must be familiar with and understand all safety aspects of the devices mentioned. In order for our products to be used successfully, you must read and understand all instructions and warnings, and maintain our products according to our instructions on care and maintenance.

The installation instructions will guide you through this product's options and possibilities.

Instructions are written with the expressed intent of use with standard configurations. They also contain important safety and maintenance information, as well as describe possible problems that can arise during use. For further assistance, or more advanced applications, please contact your supplier or **Stealth Products** at (512) 715-9995 or toll free at (800) 965-9229.

Always keep the operating instructions in a safe place so they may be referenced as necessary.

All information, pictures, illustrations, and specifications are based on the product information that was available at the time of printing. Pictures and illustrations shown in these instructions are representative examples and are not intended to be exact depictions of the various parts of the product.

Important Information



These products are designed to be fitted, applied, and installed exclusively by a healthcare professional trained for these purposes. The fitting, application, and installation by a non-qualified individual could result in serious injury.

Warranty

Our products are designed, manufactured, and produced to the highest of standards. If any defect in material or workmanship is found, Stealth Products will repair or replace the product at our discretion. Any implied warranty, including the implied warranties of merchantability and fitness for a particular purpose, shall not extend beyond the duration of this warranty. **Stealth Products** does not warrant damage due to, but not limited to: misuse, abuse, or misapplication of product, and/or modification of product without written approval from **Stealth Products, LLC**. Any alteration or lack of serial number, where applicable, will automatically void all warranty.

Stealth Products, LLC is liable for replacement parts only. **Stealth Products, LLC** is not liable for any incurred labor costs.

Stealth Products warrants against failure due to defective materials or workmanship:

Covers: 2 years
Hardware: 5 years
Electronics: 3 years

In the event of a product failure covered by our warranty, please follow the procedures outlined below:

Call **Stealth Products** at (512) 715-9995 or toll free at (800) 965-9229.

Request a Return Authorization (RA) form from the Returns Department and follow the documentation instructions.




Additional warranty information may be found by visiting the website at <https://stlpro.site/returns-n-warranty>. Copies of this manual may be downloaded by accessing the Stealth website (<https://stlpro.site/stealth-docs>) and searching "Tone Deflector" in the search bar at the top of the page.

Supplier Reference

Supplier:	
Telephone:	
Address:	
Purchase Date:	
Model:	

Warning Labels

Warnings are included for the safety of the user, client, operator, and property. Please read and understand what the signal words **DANGER**, **WARNING**, **CAUTION**, **NOTICE**, and **SAFETY** mean, and how they could affect the user, those around the user, and property.

 DANGER	Identifies an imminent situation which, if not avoided, may result in severe injury, death, and property damage .
 WARNING	Identifies a potential situation which, if not avoided, may result in severe injury, death, and property damage .
 CAUTION	Identifies a potential situation which, if not avoided, may result in minor to moderate injury and property damage .
NOTICE	Identifies important information not related to injury, but possible property damage .
SAFETY	Indicates steps or instructions for safe practices, reminders of safe procedures, or important safety equipment that may be necessary.

Limited Liability

Stealth Products, LLC accepts no liability for personal injury or damage to property that may arise from the failure of the user or other persons to follow the recommendations, warnings, and instructions in this manual.

Stealth Products does not hold responsibility for final integration of final assembly of product to end user. **Stealth Products** is not liable for user death or injury.

Testing

Initial setup and driving should be done in an open area free of obstacles until the user is fully capable of driving safely.

Intended Use

The Tone Deflector was specifically designed to address the issue of rearward forces and impact shocks exerted on headrests by clients with high tone. The Tone Deflector absorbs shock and provides a degree of deflection at the junction of the headrest hardware and the pad. It mechanically damps rearward forces, reduces the force of quick impact loading, and diverts angular forces by up to 10° in any direction. This can help clients manage tone, while reducing the frequency of headrest hardware adjustments for clinicians.

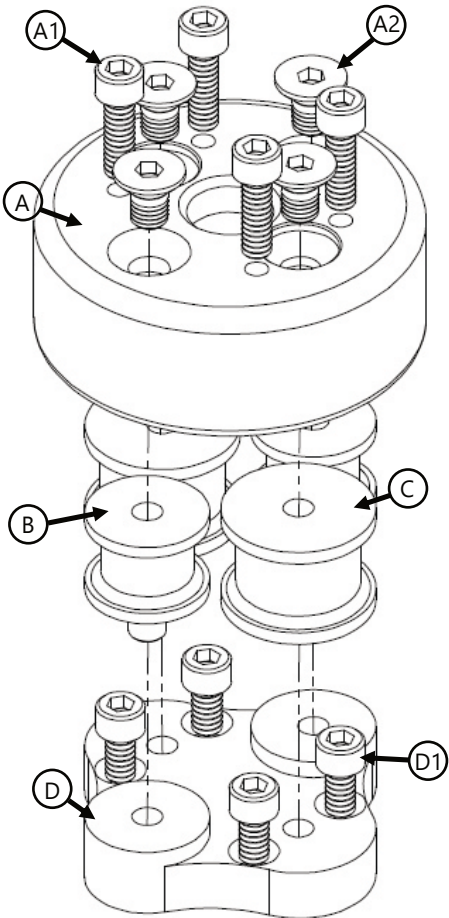
Features

- Absorbs high tone rearward and angular forces.
- Moves with the client to absorb high tone actions.
- Helps with quick impact loading.
- Averts slanted angle loading up to 10° in any direction.
- TD100M fits any 17mm ball mount Stealth headrest, including the Ultra, i2i, Combo, All Positioning, and Comfort Plus.

Mounting

The Tone Deflector is designed to be mounted onto **Stealth Products'** headrests to absorb high tone forces. It is not recommended to be used in conjunction with **Stealth Products'** i-Drive interface or the HMO500 hardware.

Mounting Hardware Parts for TD100M



PARTS		FASTENERS	
A	Tone Deflector Interface Ring	A1	M5x0.8x16mm SHS (4) (TD100M)
		A2	M6-1 x 10mm FHS (4)
B	Cylindrical Rubber Mount		#20
C	Cylindrical Rubber Mount		#25
D	Tone Deflector Interface Plate	D1	M5x0.8x10mm SHS (4) (TD100M)

Installation Plan

Set up an installation plan before mounting the Tone Deflector to the headrest. After installation, ensure that the Tone Deflector is mounted properly and that all screws are tightened evenly.

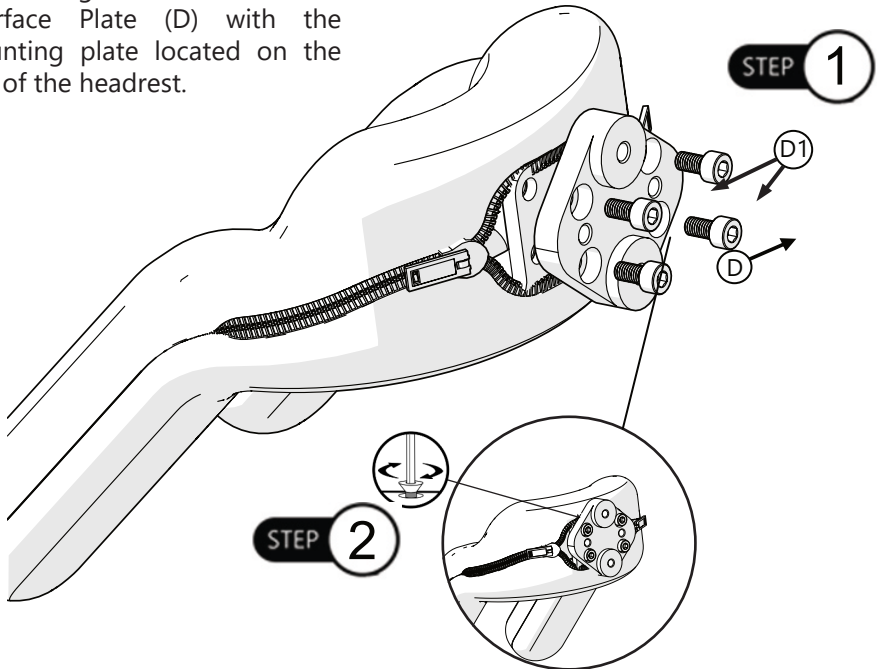
CAUTION

Ensure that split rings remain in alignment with mounting surfaces during the tightening process. Uneven or excess tightening can cause stripped threads, misaligned or bent rings, and other damage to mounting parts.

Installing the Tone Deflector to the Headrest

The following instructions illustrate how to mount the Tone Deflector to an i2i headrest, and are the same for any 17mm ball mount type Stealth headrest.

Step 1: Align the Tone Deflector Interface Plate (D) with the mounting plate located on the rear of the headrest.



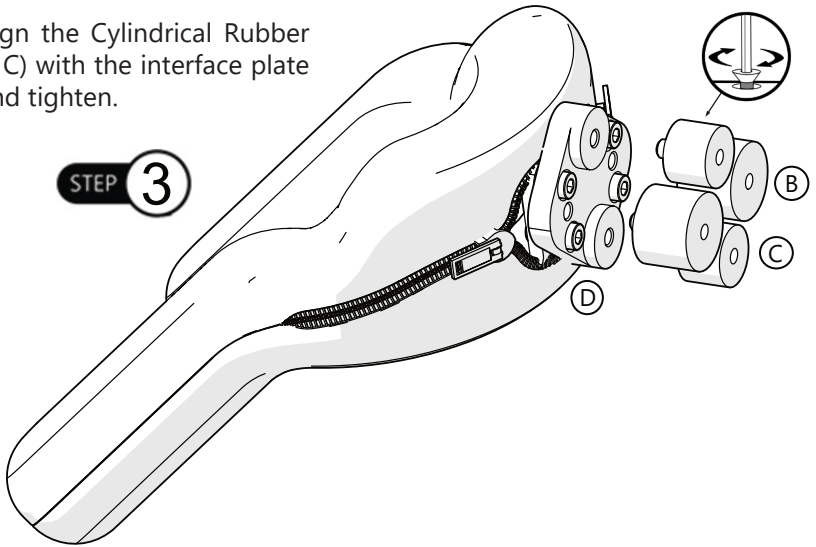
Step 2: Insert and thread the four (4) M5x0.8x10mm Socket Head Screws (D1) through the interface plate and into the holes in the mounting plate of the headrest. Tighten evenly with a hex key.



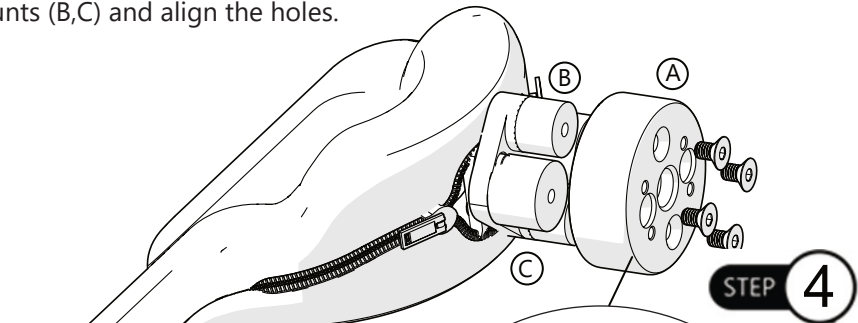
WARNING

Ensure the Tone Deflector Interface Plate is mounted level on the headrest. Improper mounting of the plate can cause improper function or failure of the Tone Deflector.

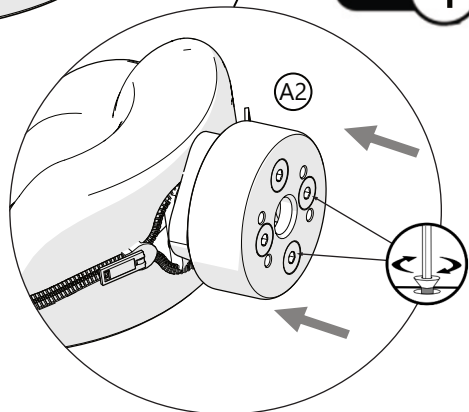
Step 3: Align the Cylindrical Rubber Mounts (B, C) with the interface plate (D) and hand tighten.



Step 4: Place the Tone Deflector Interface Ring (A) over the Cylindrical Rubber Mounts (B,C) and align the holes.

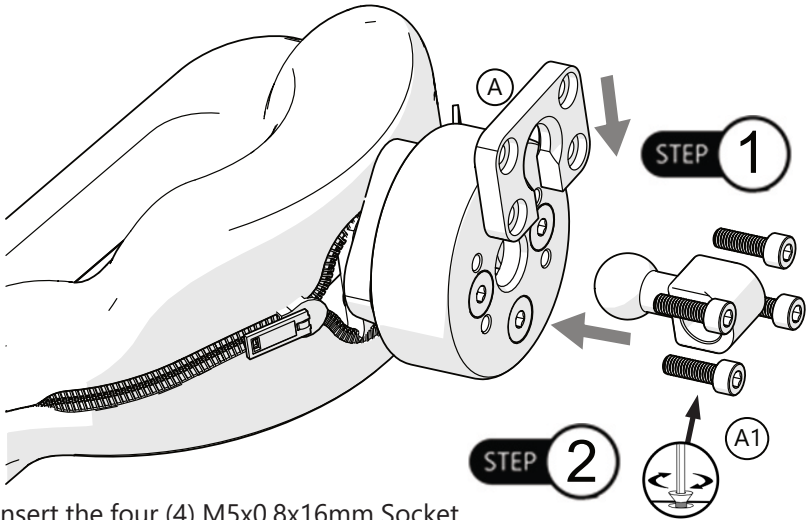


Step 5: Insert the four (4) M6-1 x 10mm Flat Head Screws (A2) into the Tone Deflector Interface Ring (A). With a 4mm hex wrench, tighten and secure screws.



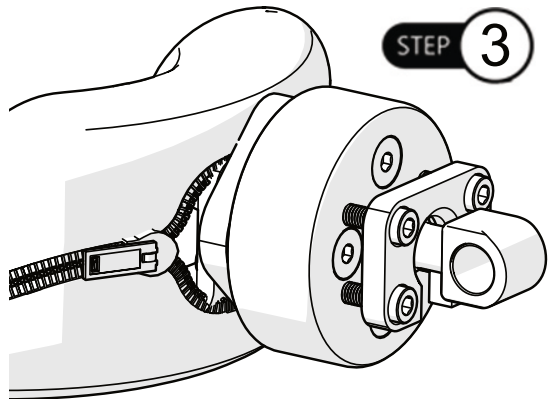
Mounting the Headrest Hardware

Step 1: Place the ball of the headrest mount into the Tone Deflector Interface Ring (A). Slide the split ring over the shaft between the ball mount and interface ring.



Step 2: Insert the four (4) M5x0.8x16mm Socket Head Screws* (A1) through the split ring and into the Tone Deflector Interface Ring (A). With a hex key, tighten and secure screws evenly, maintaining the split ring's parallel alignment with the interface ring.

Step 3: After the screws are tightened and the hardware has been properly installed, the Tone Deflector and headrest are now ready for installation onto the headrest hardware of the wheelchair.



NOTICE

Use **ONLY** the provided M5 x 0.8 x 16mm Socket Head Screws to mount the Tone Deflector to the 17mm ball. Use of screws longer than 16mm can result in insufficient positioning hold and can damage the internal parts of the Tone Deflector hardware.

Dealer Assistance

During first-time use by the user, it is advised that the dealer or service technician not only assembles the product, but also explains the configuration of user positioning to the user (i.e., the user and or the attendant). If needed, the dealer can make final adjustments.

User Testing

It is important that the customer is fully aware of the installation of the **Tone Deflector**, how to use it, and how it can be adjusted to fit the client comfortably. As a dealer, proceed as follows:

- Explain and show the customer how you have executed the installation and explain the function.
- Have the user test the position of the **Tone Deflector**.
- Is the hardware in the proper position for the client?
- Can all controls be operated safely and with minimal effort?
- If needed, make any adjustments to the positioning.
- Explain possible problems to the customer and how to address them.

Conditions of Use

The **Tone Deflector** is intended for use as installed by the dealer, in accordance to the installation instructions in this manual.

Ensure the foreseen conditions of use are communicated by the dealer or service technician to the user and/or attendant during the first-time use.

If usage conditions change significantly, please contact your dealer or a qualified service technician to avoid unintended damage.

Cleaning

Your **Tone Deflector** hardware should not require cleaning other than wiping its surface periodically with a soft cloth and a cleaning solution approved for painted or anodized aluminum surfaces.



WARNING

Do not use petroleum based cleaners or chemicals to clean the **Tone Deflector**, as degradation of rubber components may occur and lead to reduced function or failure of the device.



© 2024, Stealth Products, LLC

Warranty Information



Home Page



Online User Manual



Stealth Products, LLC · info@stealthproducts.com · www.stealthproducts.com
(800) 965-9229 | (512) 715-9995 | 104 John Kelly Drive, Burnet, TX 78611

P91D653R3

Jul 16, 2024