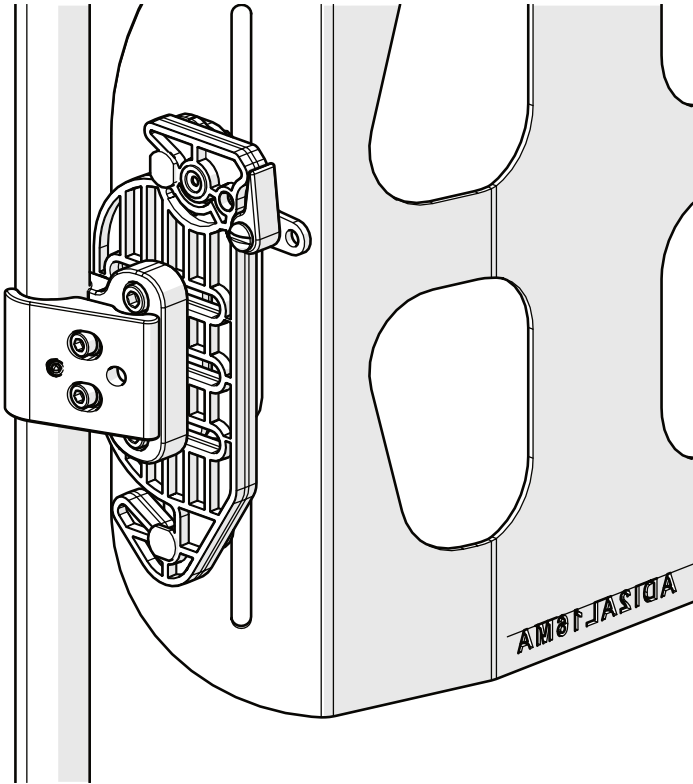


Stealth Products[®]



**Backs and
Support**



Quick Release PRO

Owner's Manual - Maintenance Guide

Quick Release PRO Back Support Hardware



Customer Satisfaction	i
General	i
Important Information	ii-iii
Warranty	ii
Warning Labels.....	iii
Limited Liability.....	iii
Testing	iii
Design and Function	1-2
Intended Use.....	1
Parts Included & Torque Specifications.....	1
Tools Required.....	2
Installation Instructions	2-4
Pin Size Selection	2
Installing Pin to Bracket.....	2
Mounting Bracket to Back Shell	3
Mounting Receiver to Cane	4
Adjustment Instructions.....	5-7
Height Adjustment.....	5
Depth Adjustment	5
Angle Adjustment.....	6
Quick Release Removal and Replacement	7
WC-20 Information.....	8-12
General Guidelines	8
Before Transit.....	8
Belt Placement.....	9
Trays.....	12
User Safety.....	12
First Time Use	13
Dealer Assistance	13
User Testing.....	13
Conditions of Use	13
Maintenance	14
Cleaning.....	14
Maintenance	14

Stealth Products is committed to 100% customer satisfaction. Your complete satisfaction is important to us. Please contact us with feedback or suggestions to help us improve the quality and usability of our products.

You may reach us at:



Stealth Products, LLC

104 John Kelly Drive, Burnet, TX 78611

Phone: (512) 715-9995

Toll Free: (800) 965-9229

Fax: (512) 715-9954

Toll Free: (800) 806-1225

info@stealthproducts.com

www.stealthproducts.com



<p>EC REP</p> <p>MDSS GmbH Schiffgraben 41 30175 Hannover Germany</p>	<p>CH REP</p> <p>SODIMED SA Chemin Praz Devant 12 1032 Romanel sur-Lausanne Switzerland</p>	<p>UK Authorized Representative</p> <p>MDSS-UK RP 6 Wilmslow Road, Rusholme Manchester M14 5TP United Kingdom</p>
---	---	---

General

Read and understand all instructions prior to the use of the product. Failure to adhere to instructions and warnings in this document may result in property damage, injury, or death. Product misuse or failure to follow instructions will void the warranty.

Immediately discontinue use if any function is compromised, if parts are missing or loose, or if any component shows signs of excessive wear. Consult with your supplier for repair, adjustment, or replacement.

All persons responsible for fitting, adjustment, and daily use of the devices discussed in these instructions must be familiar with and understand all safety aspects of the devices mentioned. In order for our products to be used successfully, you must read and understand all instructions and warnings, and maintain our products according to our instructions on care and maintenance.

The installation instructions will guide you through this product's options and possibilities.

Instructions are written with the expressed intent of use with standard configurations. They also contain important safety and maintenance information, as well as describe possible problems that can arise during use. For further assistance, or more advanced applications, please contact your supplier or **Stealth Products** at (512) 715-9995 or toll free at (800) 965-9229.

Always keep the operating instructions in a safe place so they may be referenced as necessary.

All information, pictures, illustrations, and specifications are based on the product information that was available at the time of printing. Pictures and illustrations shown in these instructions are representative examples and are not intended to be exact depictions of the various parts of the product.

 **CAUTION**

These products are designed to be fitted, applied, and installed exclusively by a healthcare professional trained for these purposes. The fitting, application, and installation by a non-qualified individual could result in serious injury.

Warranty

Our products are designed, manufactured, and produced to the highest of standards. If any defect in material or workmanship is found, **Stealth Products** will repair or replace the product at our discretion. Any implied warranty, including the implied warranties of merchantability and fitness for a particular purpose, shall not extend beyond the duration of this warranty. **Stealth Products** does not warrant damage due to, but not limited to: Misuse, abuse, or misapplication of product, and/or modification of product without written approval from **Stealth Products, LLC**. Any alteration or lack of serial number, where applicable, will automatically void all warranty.

Stealth Products, LLC is liable for replacement parts only. **Stealth Products, LLC** is not liable for any incurred labor costs.

Stealth Products warrants against failure due to defective materials or workmanship:

Covers: 2 years
Hardware: 5 years
Electronics: 3 years

In the event of a product failure covered by our warranty, please follow the procedures outlined below:

Call **Stealth Products** at (512) 715-9995 or toll free at (800) 965-9229.

Request a Return Authorization (RA) form from the Returns Department and follow the documentation instructions.

You can download additional copies of this manual by accessing the Stealth website (www.stlpro.site/stealth-docs) and searching "Quick Release PRO" in the search bar at the top of the page.

Supplier Reference

Supplier:	
Telephone:	
Address:	
Purchase Date:	
Model:	

Warning Labels

Warnings are included for the safety of the user, client, operator, and property. Please read and understand what the signal words **DANGER**, **WARNING**, **CAUTION**, **NOTICE**, and **SAFETY** mean, and how they could affect the user, those around the user, and property.

DANGER

Identifies an **imminent** situation which, if not avoided, may result in **severe injury, death, and property damage**.

WARNING

Identifies a **potential** situation which, if not avoided, may result in **severe injury, death, and property damage**.

CAUTION

Identifies a **potential** situation which, if not avoided, may result in **minor to moderate injury and property damage**.

NOTICE

Identifies important information not related to injury, but possible **property damage**.

SAFETY

Indicates steps or instructions for safe practices, reminders of safe procedures, or important safety equipment that may be necessary.

Limited Liability

Stealth Products, LLC accepts no liability for personal injury or damage to property that may arise from the failure of the user or other persons to follow the recommendations, warnings, and instructions in this manual.

Stealth Products does not hold responsibility for final integration of final assembly of product to end user. **Stealth Products** is not liable for user death or injury.

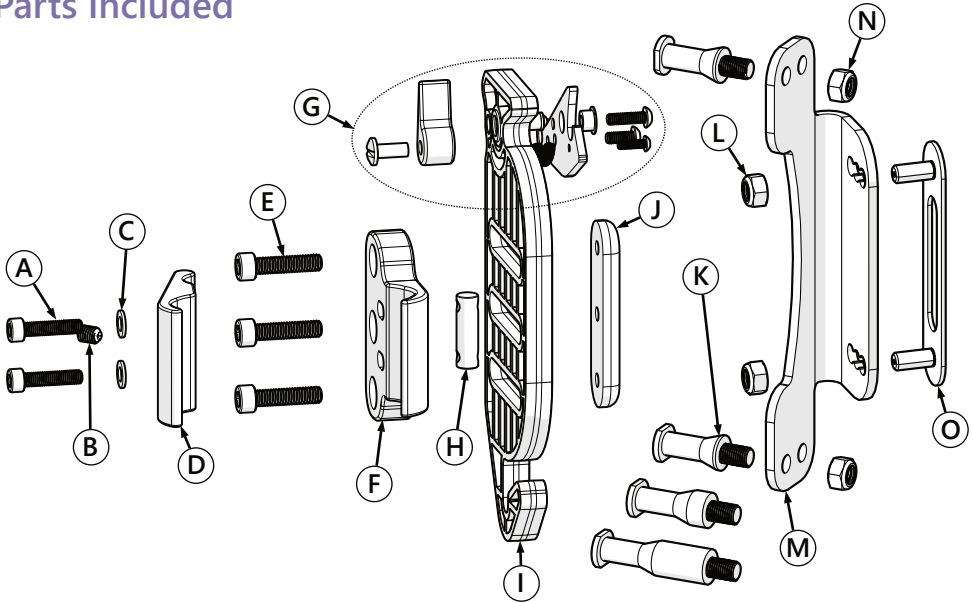
Testing

Initial setup and driving should be done in an open area free of obstacles until the user is fully capable of driving safely.

Intended Use

ADI's Quick Release mounting hardware is designed to allow wheelchair users and assistants the ability to easily remove the back support with one hand. In addition, the Quick Release mounting hardware offers angle, depth, and width adjustability.

Parts Included

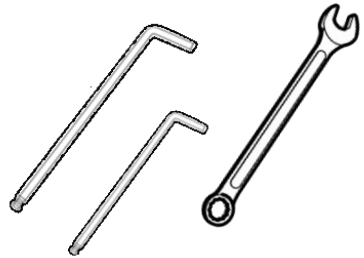


	Description	Qty	Torque
A	M5 x 0.8 x 22MM SHS N	2	10.3 N·m
B	M6 x 1.0 x 8MM CPSS N	1	N/A
C	M5 FW	2	-
D	QR PRO OUTSIDE CLAMP	1	-
E	M6 x 1.0 x 25MM SHS N	3	17.5 N·m
F	QR PRO INSIDE CLAMP	1	-
G	LATCH PLATE ASSEMBLY	1	-
H	BR5034, CLAMP NUT	1	-
I	QR PRO MAIN PLATE	1	-
J	QR PRO NUT	1	-
K	QR PRO SHORT PIN*	2	-
L	M6 x 1.0 NLN	2	17.5 N·m
M	QR PRO 45° ATTACHMENT BRACKET	1	-
N	M6 x 1.0 NLN	2	17.5 N·m
O	BR5011-1	1	-

* Illustration shows short pins in installation positions. Medium and Long Pins are included in the package and are shown above for illustration purposes.

Tools Required

- 3mm Hex Key
- 4mm Hex Key
- 5mm Hex Key
- 10mm socket, crescent or open end wrench
- 11mm socket, crescent or open end wrench



Pin Size Selection

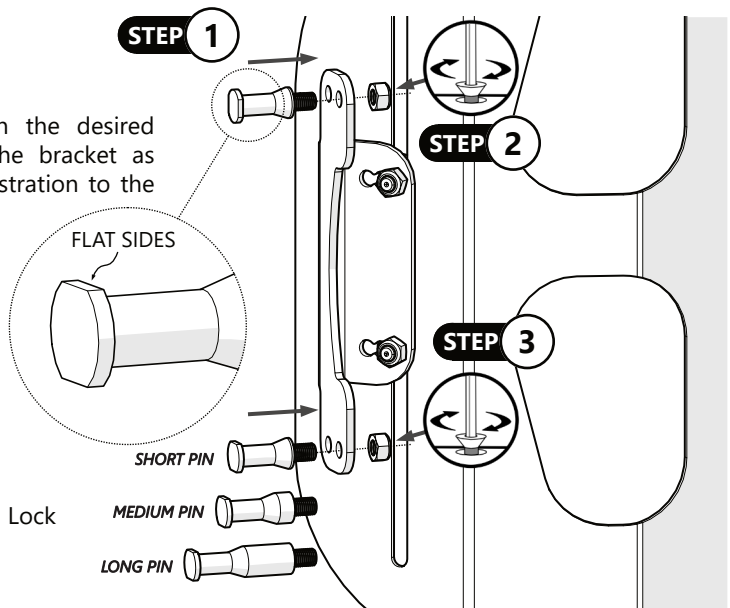
The hardware contains three sizes of pin: short, medium, and long. One of these is chosen, based on the width of the wheelchair and the back support shell, and is installed on the bracket that attaches to the back support shell. Selection of the proper pin allows the hardware to accommodate more variations in back shell and wheelchair width.

Installing Pin to Bracket

The **QR Pro Short Pin (K)** is installed to the **QR Pro Attachment Bracket (M)** by inserting it into the desired location on the bracket and securing it with an **M6 x 1.0 Nylon Lock Nut (N)**. There are two holes in the bracket for each pin, allowing a depth or angle adjustment to be made with the bracket.

To install the pin:

1. Place the pin in the desired upper hole in the bracket as shown in the illustration to the right.



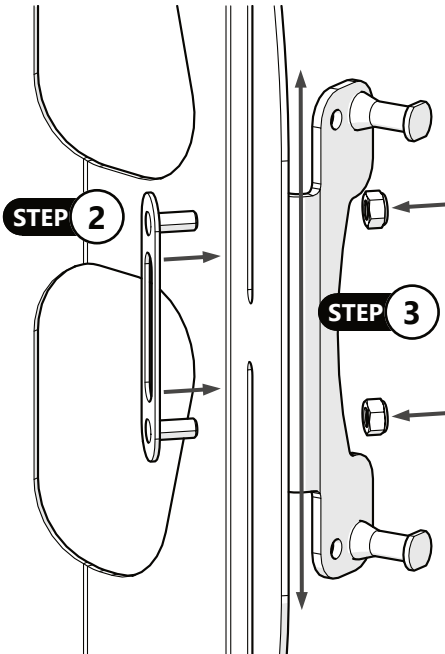
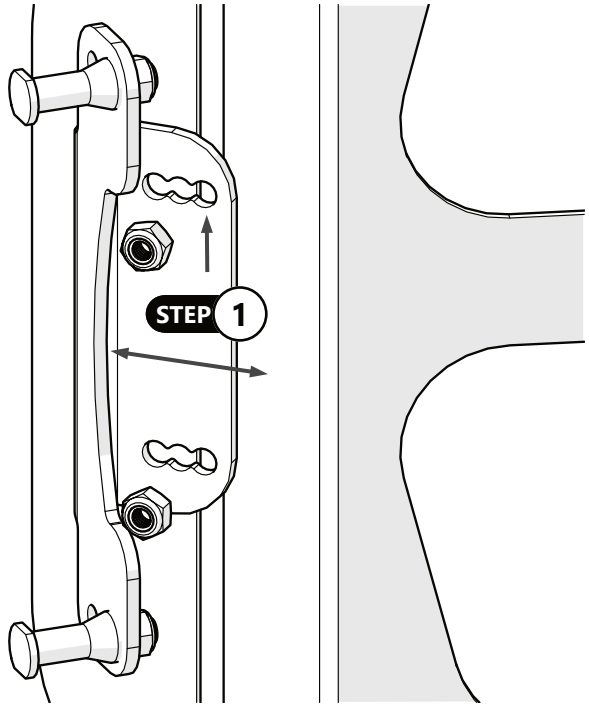
2. Thread the Nylon Lock Nut onto the pin.

3. Hold the flat sides of the pin (as shown above) with an 11mm open end or crescent wrench to keep it from rotating and use a 10mm wrench to tighten the Nylon Lock Nut to the torque specification listed on Page 1.
4. Repeat these steps to install the lower pin.

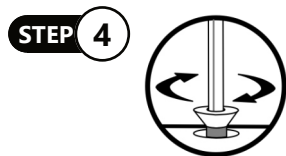
Mounting Bracket to Back Shell

To mount the bracket to the back shell:

1. The slot in the QR PRO 45° Attachment Bracket (M) has three positions that can be used to mount it to the back shell. Choose the hole that best matches the desired width and align it with the slot in the back shell.



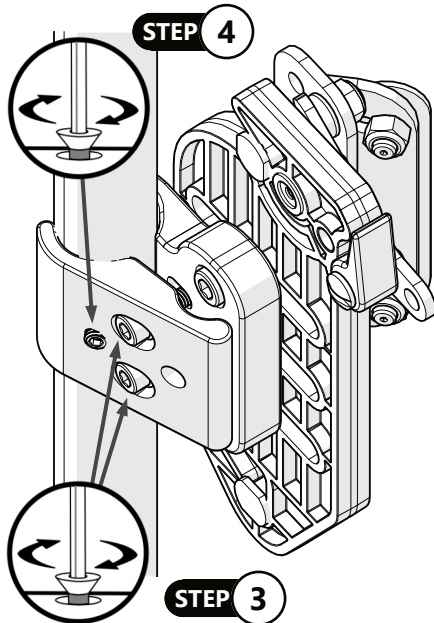
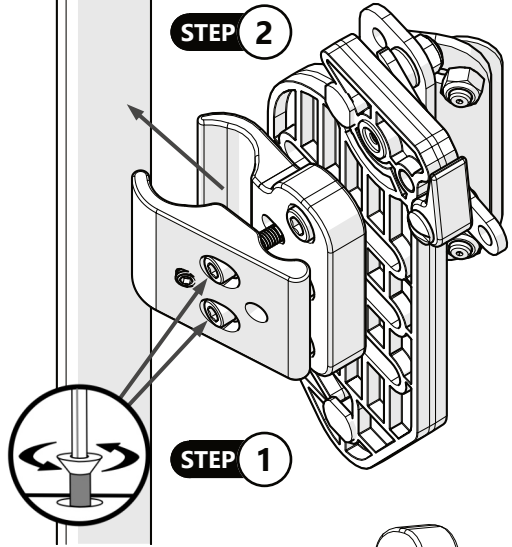
2. Insert the **BR5011-1 (O)** through the slot in the back shell and through the hole chosen in Step 1.
3. Thread an **M6 x 1.0 NLN (L)** on each of the studs and use a 10mm wrench to secure the bracket at the proper height on the back shell.
4. Tighten the nylon lock nuts to the torque specification listed on Page 1 with a 10mm wrench.



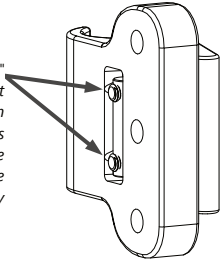
Mounting Receiver to Cane

To mount the receiver to the Cane:

1. Using a 4mm hex wrench, loosen the two **M5 x 0.8 x 22mm SHS N (A)*** until the **QR PRO Outside Clamp (D)** will fit over the cane, but do not remove the screws.
2. **Note:** Make sure the Set Screw is not protruding past the inside surface of the Outside Clamp prior to installation on the cane.
3. Slide the wheelchair cane between the **QR PRO Outside Clamp (D)** and the **QR PRO Inside Clamp (F)**.



* If installing on 3/4" or 7/8" canes, remove the 22mm Socket Head Screws and replace with the 20mm screws provided. This will eliminate the risk of the screw thread protruding into the removable plate and possibly leading to a malfunction.



4. Adjust the mounting hardware for height on the cane, and tighten the two **M5 x 0.8 x 22mm Socket Head Screws (A)** to secure it in place.

The **M6 x 1.0 x 8MM CPSS N (B)** in the **QR Pro Outside Clamp (D)** is designed to maintain alignment of the clamp to the cane. When the final position of the hardware is determined, tighten this set screw to further secure the clamp to the cane.

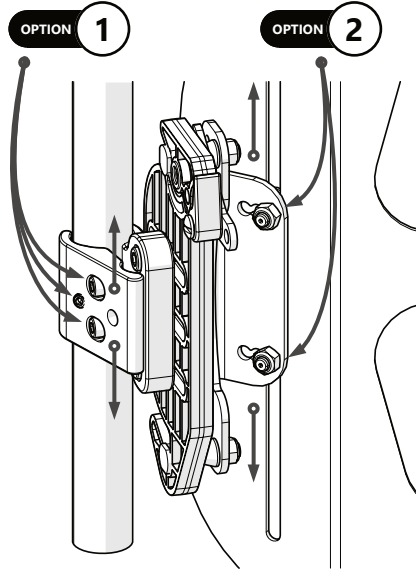
⚠ CAUTION

Do not install the **Quick Release PRO** hardware on wheelchair canes with a diameter less than 3/4 inch or greater than 1 inch.

Height Adjustment

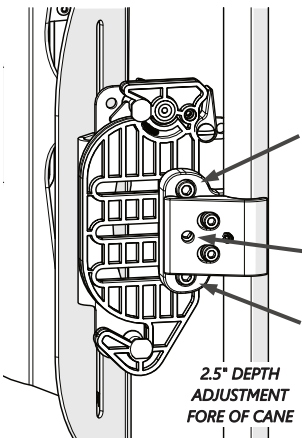
The **Quick Release PRO** hardware can be adjusted for backrest height in several ways:

1. If the hardware needs to move with respect to the canes, loosen the Set Screws and the two **M5 x 0.8 x 22mm Socket Head Screws (A)** on both sides of the wheelchair. Grasp the hardware and slide it up or down the canes to the desired position. Align the hardware such that the mounting pins are perpendicular to the main plate, and tighten the M5 x 0.8 x 22mm Socket Head Screws. Snug the Set Screws on both sides to secure the adjustment.
2. If the back support needs to be raised or lowered, but the clamps are in a good position on the canes, loosen the two Nylon Lock Nuts securing the **QR PRO 45° Attachment Brackets (M)** to the shell on both sides of the chair. Raise or lower the back support to the new position and tighten the Nylon Lock Nuts to secure it.



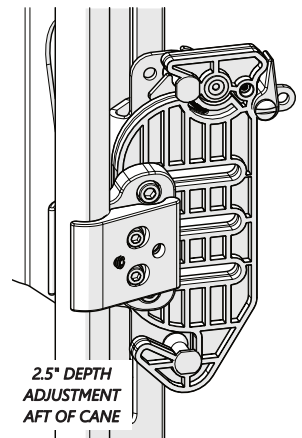
Depth Adjustment

Beyond the half-inch depth adjustment afforded by the two mounting holes in the brackets for the pins, the **QR Pro Main Plate (I)** can be positioned fore or aft a total of four inches. This means the receiver's mount point can be in front of, or behind, the axis of the canes (see illustration below).



There are three **M6 x 1.0 x 25mm Socket Head Screws (E)** holding the cane clamp to the **QR Pro Main Plate (I)**. One of these screws is located underneath the outer clamp, but a hole has been provided to loosen it enough to perform a depth adjustment. Fit the 4mm hex wrench through the hole and into the top of the socket head screw to loosen or tighten it, respectively.

NOTE: The Cane Clamp must be rotated in relation to the Receiver Plate to access this range of adjustment.



⚠ CAUTION

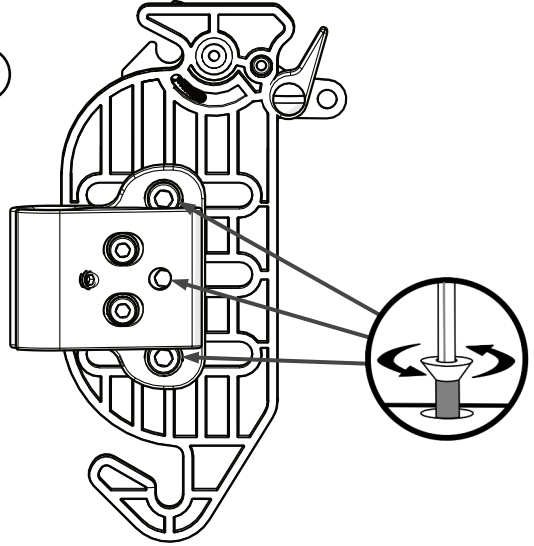
Be sure to set the fore/aft position of the Quick Release mounting hardware properly to avoid compromising the stability of the wheelchair.

Angle Adjustment

To adjust the angle of the hardware:

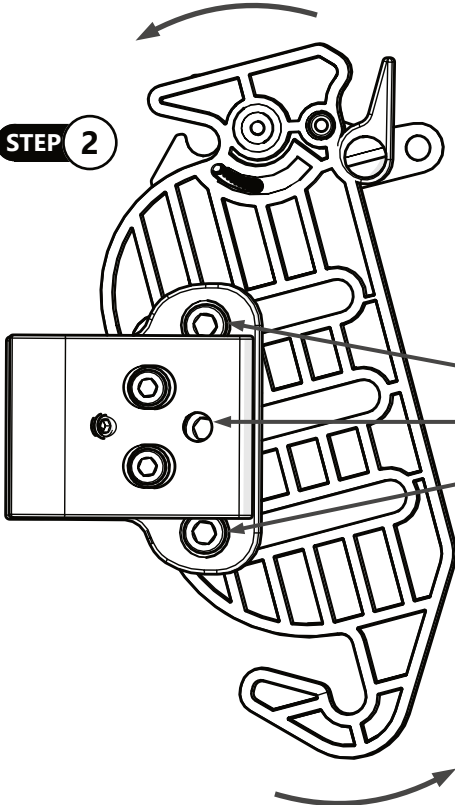
1. Loosen the three **M6 x 1.0 x 25mm Socket Head Screws (E)** with a 5mm hex wrench on both sides of the wheelchair.

STEP 1



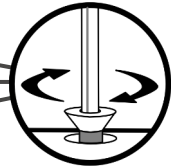
2. Adjust the main plate to the desired angle.

STEP 2



3. Tighten the three socket head screws to the torque specification listed on Page 1.

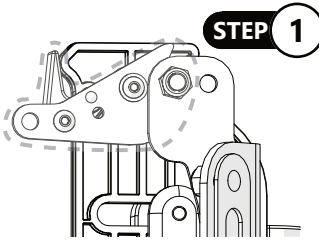
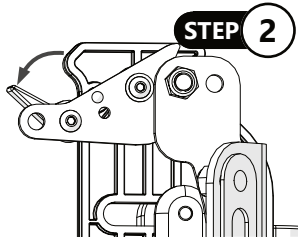
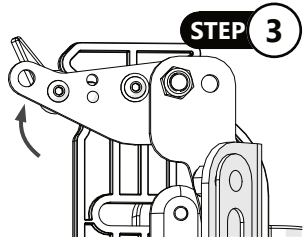
STEP 3

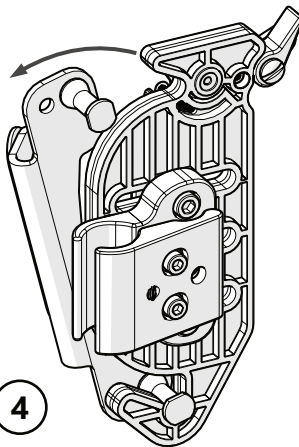
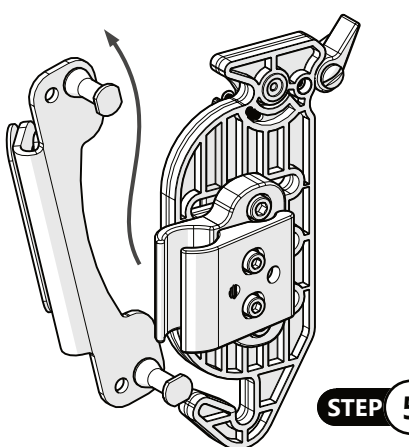


Quick Release Removal and Replacement

The **Latch Plate Assembly (G)** locks the **QR PRO Attachment Bracket (M)** and **QR PRO Pins (K)** to the **QR PRO Main Plate (I)**.

To unlock and operate the Latch Plate Assembly:

- 
- 
- 
1. This represents the locked position of the hardware. Before operating the wheelchair, make sure both latch assemblies are locked in this position.
 2. Rotate the lever away from the body of the main plate to release the latch. The latch is now free to be operated.
 3. Lift the latch to release the pin and allow the back support to be removed.

- 
- 
4. Rotate the top pin away from the main plate and latch assembly.
 5. Lift the bottom pin from its position and remove the back support from the wheelchair.

CAUTION

Periodically check for loose hardware or fasteners.
Ensure the latch on each side is fully engaged prior to each use.

WC20 Quick Release Hardware

The Quick Release mounting hardware has met WC20 and ISO 16840-4 requirements and provisions.

WC20 establishes design and performance requirements and test methods for complete seating systems that consist of a seat, back support, and attachment hardware.

General Guidelines

- Attach the tie-down straps only to the designated labeled transit security points.
- Tighten the straps sufficiently to remove all slack. Never attach tie-downs to adjustable, moving, or removable parts of the wheelchair.
- Position the anchor points for the rear tie-down straps directly behind the rear securement points on the wheelchair.
- The front tie-down straps should anchor to floor points that are spaced wider than the wheelchair to provide increased lateral stability.



CAUTION

The WC20-approved Quick Release PRO mounting hardware should only be used as described in the manufacturer's instructions.

Before Transit

- Clients who use wheelchairs should transfer to the vehicle seat and use the vehicle-installed occupant restraint systems
- Prior to transporting, always double-check the tie-downs and hardware.
- On tie-downs and restraints, look for tears or worn webbing straps. Replace torn or worn webbing straps as necessary.
- Look for damaged hooks or loose tie-down hardware.
- On the seating system, check for loose screws attaching the hardware to the back. Check for loose screws attaching the hardware to the seat. These should be snug and not over-tightened.



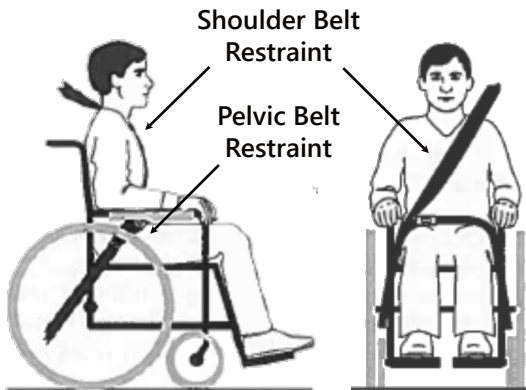
DANGER

The WC20-approved Quick Release PRO mounting hardware is designed specifically for occupancy when used on wheelchairs that are facing forward in motor vehicles.

Belt Placement

- The pelvic belt restraint should be worn low, across the front of the pelvis near the junctions of the pelvis and the thighs.
- The belt restraint buckle of three-point belt restraints should be placed in contact with the occupants body and away from wheelchair components.
- The junction of the shoulder belt and pelvic belt of three-point-belt restraints should be located near the hip opposite the shoulder over which the diagonal belt crosses and not near the midline of the occupant.

Proper Positioning of Belts on Occupants



- Upper torso belt restraints should fit directly over, and in contact with, the middle of the shoulder.



CAUTION

Belt restraints should be adjusted to fit as snugly as possible, consistent with user comfort.

SAFETY

Belt restraints should be positioned on the wheelchair occupant in accordance with WTORS manufacturer instructions.

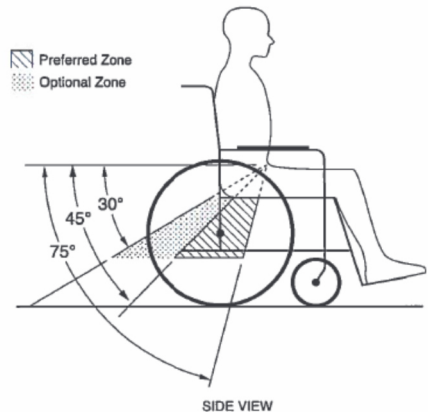


Belt restraints should not be routed outside of the wheelchair, over the wheelchair wheels, or over the wheelchair arm supports and should not be held away from the body by wheelchair components or parts.

SAFETY

Belt restraints should not be worn twisted or in a manner that reduces the area of contact of the belt webbing with the occupant.

Both pelvic belt and shoulder belt restraints that comply with RESNA WC-4:2012, Section 18 and/or 4.6, 5.2, 5.3 of RESNA WC-4:2012, Section 19 should be used to limit occupant movement in a crash and reduce the likelihood of occupant ejection from the vehicle and/or injurious contact of the occupant with the vehicle interior. The pelvic belt should be angled between 30° to 75° horizontally when viewed from the side, and ideally between 45° to 75° horizontally, as shown in the figure to the right.



! WARNING

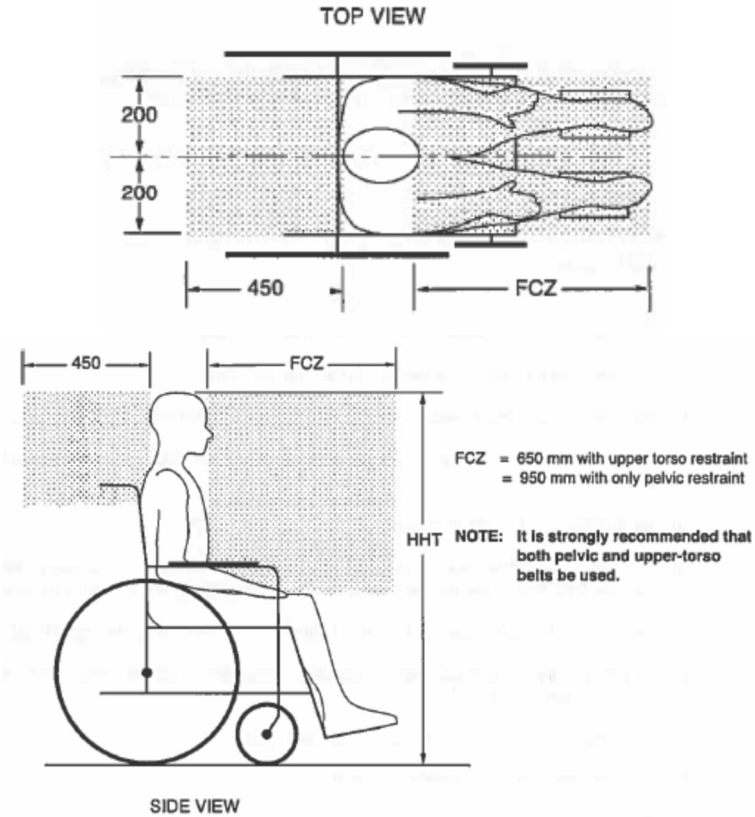
Back supports with adjustable recline angles should not be tilted back more than 30° to the vertical during travel in vehicles unless necessary for the medical and postural needs of the occupant.

! WARNING

If the back support must be adjusted to an angle that is greater than 30° to the vertical during travel, the upper shoulder-belt anchor point should be adjusted rearward to maintain belt contact with the wheelchair occupant's shoulder and chest.

Sufficient forward and rearward clear space should be provided around the wheelchair occupant.

The forward clear-space (FCZ) needs to be larger when a shoulder-belt restraint is not used.



The WC20-approved Quick Release PRO mounting hardware is designed ONLY for use with wheelchair frames that have been successfully crash tested to the frontal impact requirements of RESNA WC-4:2012, Section 19.



The WC20-approved Quick Release PRO mounting hardware MUST be used on a wheelchair frame that provides four securement points and pelvic-belt anchor points that conform to the requirements of RESNA WC-4:2012, Section 19.

Trays

Wheelchair-mounted rigid trays that are not specifically designed for use during travel in motor vehicles should be:

- Removed and secured separately in the vehicle.
- Secured to the wheelchair so they will not break free in a crash.
- Positioned with a gap of at least 3 in. (7.6 cm) between the back edge of the tray and the wheelchair occupant's abdomen and/or chest so as not to interfere with proper belt-restraint use.
- Fitted with energy-absorbent padding between the back edge of the tray and the wheelchair occupant.

User Safety

The use of a postural pelvic belt attached to the wheelchair base or seat frame is encouraged during travel, but these belts should be positioned so that they do not interfere with the proper positioning of crash-worthy belt restraints, and they should not be relied on for occupant protection in crash situations unless the postural belt has been designed to comply with, and perform to, the requirements 4.6, 5.2, and 5.3 of RESNA WC-4:2012, Section 19.



DANGER

Alterations or substitutions should not be made to the seating system or its parts and components without consulting the manufacturer.



DANGER

The WC20-approved Quick Release PRO mounting hardware has been designed to accommodate the proper use of vehicle-anchored belt restraints and the ratings of the seating systems with regard to ease of properly positioning vehicle-anchored belt restraints on the wheelchair passenger, and the degree to which proper positioning of the belt restraints can be achieved.

Dealer Assistance

During first time use by the client, it is advised that the dealer or service technician assists and explains the configuration to the customer (the user and/or the attendant). If needed, the dealer can make final adjustments.

User Testing

It is important that the customer is fully aware of the installation and how the product can be adjusted in order to gain the best positioning possible. As a dealer, proceed as follows:

- Explain and show the client how you have executed the installation, and explain the function.

Have the user test the position of the product:

- Is the Quick Release PRO mounting hardware in the proper position for the client?
- Can the user safely operate the chair in the position in which they are seated?
- Is the placement of the back support and Quick Release PRO mounting hardware in an optimal position for the client?

Conditions of Use

The Quick Release PRO mounting hardware is intended for use as installed by the dealer, in accordance to the installation instructions in this manual.

- The foreseen conditions of use are communicated by the dealer or service technician to the user and/or attendant during the first time use.
- If the conditions of use change significantly, please contact your dealer or a qualified service technician to avoid excessive wear and tear or unintended damage.

Cleaning

- Use a soft cloth to clean the back shell and mounting hardware.
- Ensure all cleaners are approved for finished steel, aluminum, plastic, and upholstered surfaces.

Maintenance

- Check and tighten all fasteners to the proper torque specifications on a regular basis. Proper torque specifications are located on page 1.
- Repair or replace parts as needed.

SAFETY

Always check all mounting hardware, making sure each fastener is properly tightened and all latches are locked prior to using the back support.



WARNING

User Weight Limit:
300 lbs. (136.08 kg)



© 2023, Stealth Products, LLC

Warranty Information



Home Page



Online User Manual



Stealth Products, LLC · info@stealthproducts.com · www.stealthproducts.com
(800) 965-9229 | (512) 715-9995 | 104 John Kelly Drive, Burnet, TX 78611