

Stealth Products®



**Upper
Extremity
Support**



UniLink Shoulder Retractors

Owner's Manual



Customer Satisfaction	i
General Information	ii-iii
Warranty	ii
Supplier Reference Table	ii
Warning Labels.....	iii
Limited Liability.....	iii
Testing	iii
Design and Function	1
Intended Use.....	1
Required Tools.....	1
Parts Included.....	1
Installation Instructions	2-4
Preparations	2
Mounting to the Chair	2-4
Mounting the Pad.....	4
Flip Back Operation	4
Adjustment Instructions.....	5-8
Angle Adjustment.....	5
Height Adjustment	6
Full Surface Contact Mount Option.....	7-8
First Time Use	9
Dealer Assistance	9
User Testing.....	9
Conditions of Use	9
Cleaning & Maintenance.....	10
Cleaning.....	10
Maintenance	10

Stealth Products is committed to 100% customer satisfaction. Your complete satisfaction is important to us. Please contact us with feedback or suggestions to help us improve the quality and usability of our products.

You may reach us at:



Stealth Products, LLC

104 John Kelly Drive, Burnet, TX 78611

Phone: (512) 715-9995

Toll Free: (800) 965-9229

Fax: (512) 715-9954

Toll Free: (800) 806-1225

info@stealthproducts.com

www.stealthproducts.com



<p>EC REP</p> <p>MDSS GmbH Schiffgraben 41 30175 Hannover Germany</p>	<p>CH REP</p> <p>SODIMED SA Chemin Praz Devant 12 1032 Romanel sur-Lausanne Switzerland</p>	<p>UK Authorized Representative</p> <p>MDSS-UK RP 6 Wilmslow Road, Rusholme Manchester M14 5TP United Kingdom</p>
---	---	---

General

Read and understand all instructions prior to the use of the product. Failure to adhere to instructions and warnings in this document may result in property damage, injury, or death. Product misuse or failure to follow instructions will void the warranty.

Immediately discontinue use if any function is compromised, if parts are missing or loose, or if any component shows signs of excessive wear. Consult with your supplier for repair, adjustment, or replacement.

All persons responsible for fitting, adjustment, and daily use of the devices discussed in these instructions must be familiar with and understand all safety aspects of the devices mentioned. In order for our products to be used successfully, you must read and understand all instructions and warnings, and maintain our products according to our instructions on care and maintenance.

The installation instructions will guide you through this product’s options and possibilities.

Instructions are written with the expressed intent of use with standard configurations. They also contain important safety and maintenance information, as well as describe possible problems that can arise during use. For further assistance, or more advanced applications, please contact your supplier or **Stealth Products** at (512) 715-9995 or toll free at (800) 965-9229.

Always keep the operating instructions in a safe place so they may be referenced as necessary.

All information, pictures, illustrations, and specifications are based on the product information that was available at the time of printing. Pictures and illustrations shown in these instructions are representative examples and are not intended to be exact depictions of the various parts of the product.

CAUTION

These products are designed to be fitted, applied, and installed exclusively by a healthcare professional trained for these purposes. The fitting, application, and installation by a non-qualified individual could result in serious injury.

Warranty

Our products are designed, manufactured, and produced to the highest of standards. If any defect in material or workmanship is found, Stealth Products will repair or replace the product at our discretion. Any implied warranty, including the implied warranties of merchantability and fitness for a particular purpose, shall not extend beyond the duration of this warranty. Stealth Products does not warrant damage due to, but not limited to: Misuse, abuse, or misapplication of product, and/or modification of product without written approval from **Stealth Products, LLC**. Any alteration or lack of serial number, where applicable, will automatically void all warranty.

Stealth Products, LLC is liable for replacement parts only. **Stealth Products, LLC** is not liable for any incurred labor costs.

Stealth Products warrants against failure due to defective materials or workmanship:

Covers: 2 years
Hardware: 5 years
Electronics: 3 years

In the event of a product failure covered by our warranty, please follow the procedures outlined below:

- Call **Stealth Products** at (512) 715-9995 or toll free at (800) 965-9229.
- Request a Return Authorization (RA) form from the Returns Department and follow the documentation instructions.

You can download additional copies of this manual by accessing the Stealth website (www.stealthproducts.com) and searching "UniLink Shoulder Retractor" in the search bar at the top of the page.

Supplier Reference

Supplier:	
Telephone:	
Address:	
Purchase Date:	
Model:	

Warning Labels

Warnings are included for the safety of the user, client, operator, and property. Please read and understand what the signal words **DANGER**, **WARNING**, **CAUTION**, **NOTICE**, and **SAFETY** mean, and how they could affect the user, those around the user, and property.



DANGER

Identifies an **imminent** situation which, if not avoided, may result in **severe injury, death, and property damage**.



WARNING

Identifies a **potential** situation which, if not avoided, may result in **severe injury, death, and property damage**.



CAUTION

Identifies a **potential** situation which, if not avoided, may result in **minor to moderate injury and property damage**.

NOTICE

Identifies important information not related to injury, but possible **property damage**.

SAFETY

Indicates steps or instructions for safe practices, reminders of safe procedures, or important safety equipment that may be necessary.

Limited Liability

Stealth Products, LLC accepts no liability for personal injury or damage to property that may arise from the failure of the user or other persons to follow the recommendations, warnings, and instructions in this manual.

Stealth Products does not hold responsibility for final integration of final assembly of product to end user. **Stealth Products** is not liable for user death or injury.

Testing

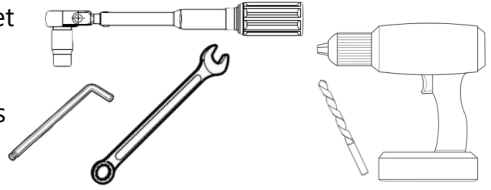
Initial setup and driving should be done in an open area free of obstacles until the user is fully capable of driving safely.

Intended Use

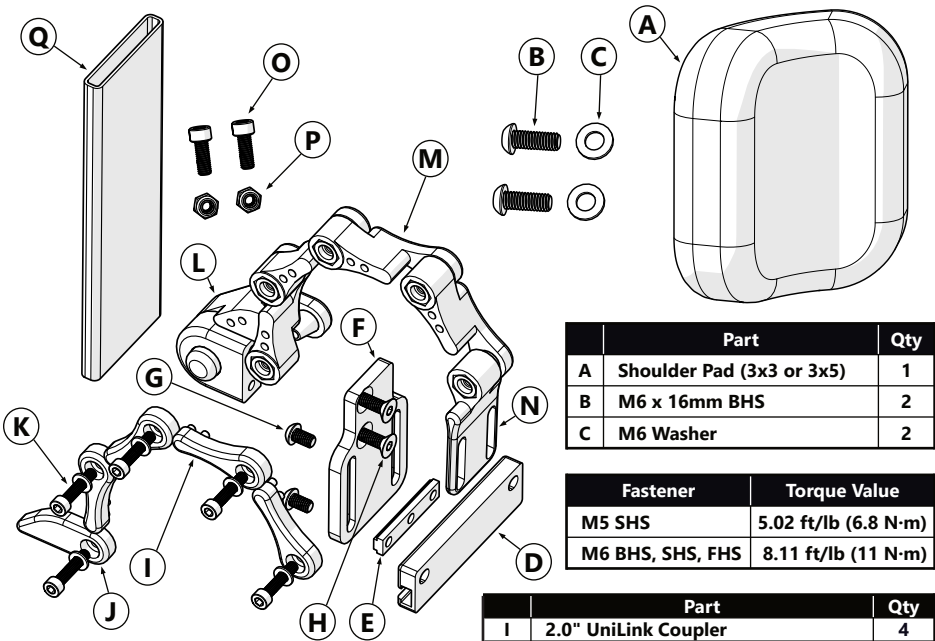
UniLink Shoulder Retractors are intended to provide strong, adjustable, swing-away anterior supports for the upper body and to aid in the improvement of shoulder and back position. Shoulder Retractors are useful for clients who would benefit from shoulder retraction or a prompt to maintain an improved upper body position, or those who exhibit low tone.

Required Tools

10mm open/box end wrench or socket
 4mm, 5mm hex wrenches
 Torque wrench (ft/lb or N-m)
 Torque socket (10mm) and/or hex bits
 Awl or center punch
 Drill and drill bit (6.5mm or 1/4")



Parts Included



	Part	Qty
A	Shoulder Pad (3x3 or 3x5)	1
B	M6 x 16mm BHS	2
C	M6 Washer	2

Fastener	Torque Value
M5 SHS	5.02 ft/lb (6.8 N-m)
M6 BHS, SHS, FHS	8.11 ft/lb (11 N-m)

Part	Qty
D 3" Track	1
E Lateral Nut	1
F Swing-Away Abductor Bracket	1
G M6 X 1.0 X 10MM BHS	2
H M6 X 1.0 X 16MM FHS	2

Part	Qty
I 2.0" UniLink Coupler	4
J Keyed UniLink Nut - Swing Away	1
K M5 X 0.8 X 25MM SHS & M5 FW	5
L Flip-Down, Link-Style Block	1
M UniLink - 2" Link	3
N Lateral Pad Mount - M6	1
O M6 X 1.0 X 16MM SHS	2
P M6 X 1.0 NLN	2
Q Neoprene Cover	1

Preparations

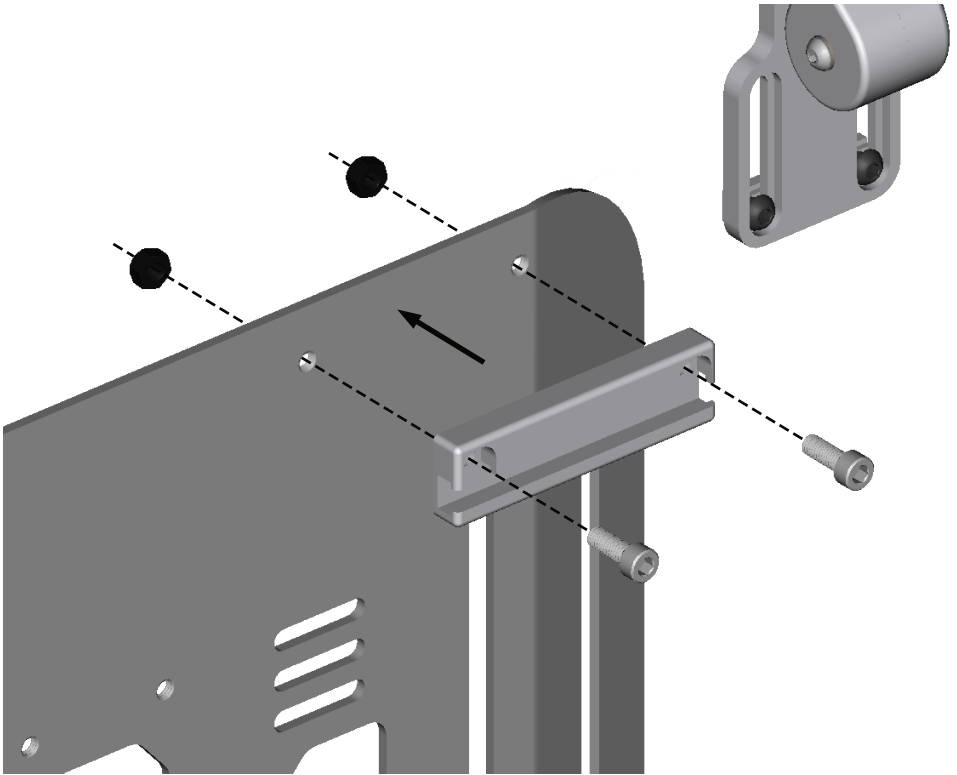
Only a qualified service technician should install **UniLink Shoulder Retractors** and accessories.

CAUTION

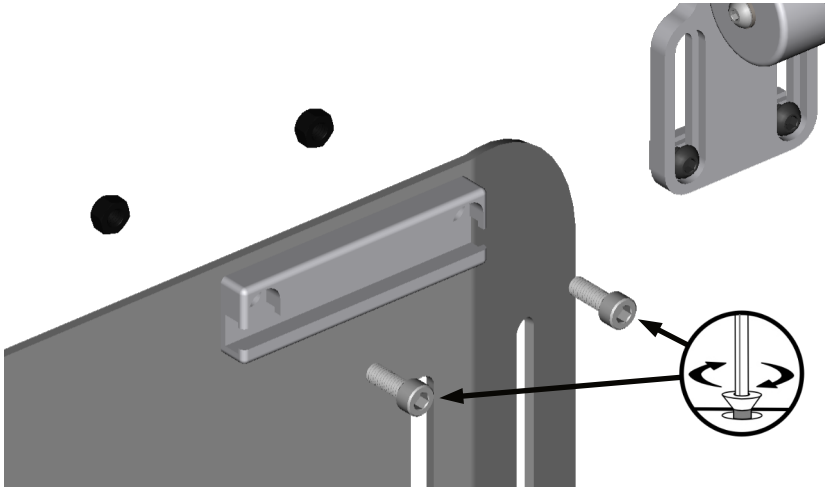
The use of improper tools may cause damage to the device.
Insufficient tightening of fasteners may lead to discomfort for the user or component failure.

Mounting to the Chair

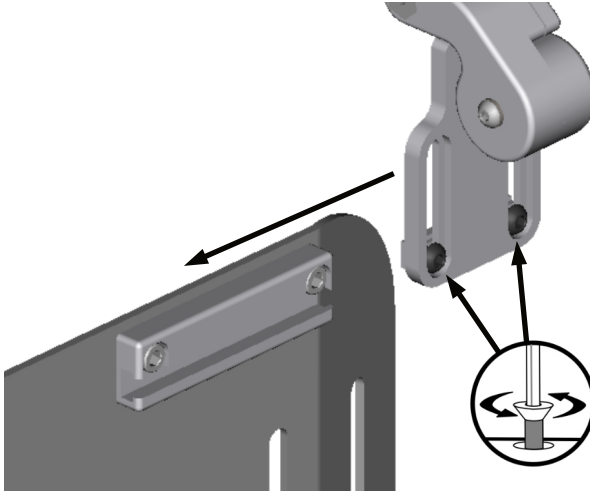
To mount the **UniLink Shoulder Retractors** to the chair:



1. Remove the back cushion to expose the upper edge of the back shell. Determine the location to mount the **UniLink Shoulder Retractor(s)**. Loosen and remove the 3" *Track (D)* from the assembly and use it to determine the proper mounting location. Position the 3" *Track (D)* and mark the locations of the screw holes with an awl, center punch, or other marking method. Drill 1/4" (6.5mm) holes in the locations marked.



2. Place the 3" Track (D) in alignment with the holes drilled and secure it to the back shell with the M6 X 1.0 X 16MM Socket Head Screws (O) and M6 X 1.0 Nylon Lock Nuts (P). Hold the nylon nut with a wrench and torque the fasteners to the value specified on page 4.

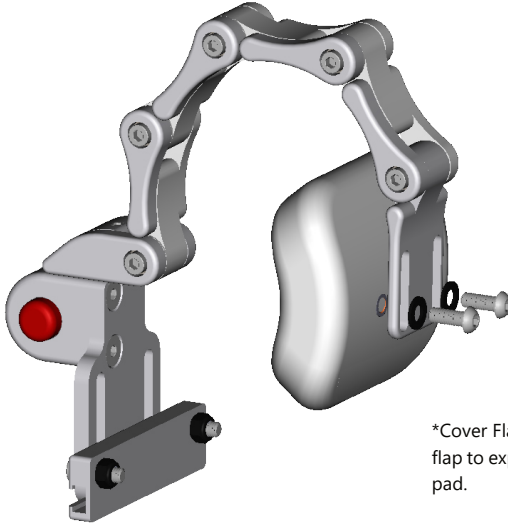


3. Install the assembly onto the 3" Track (D) by loosening the M6 X 1.0 X 10MM Button Head Screws (G) until the Lateral Nut (E) is loose enough to slide into the 3" Track (D). Position the shoulder retractor base and secure it by torquing the M6 X 1.0 X 10MM Button Head Screws (G) to the torque value specified on page 4.

Mounting the Pad

To mount the *Shoulder Pad (3x3 or 3x5) (A)* onto the **UniLink Shoulder Retractor**:

The rear (convex) side of the *Shoulder Pad (3x3 or 3x5) (A)* will have a flap of fabric* covering the mounting holes. Align the *Lateral Pad Mount - M6 (N)* with the holes on the rear of the *Shoulder Pad (3x3 or 3x5) (A)*. Use an *M6 x 16mm BHS (B)* and an *M6 Washer (C)* in each of the holes to affix the *Shoulder Pad (3x3 or 3x5) (A)* to the *Lateral Pad Mount - M6 (N)*.

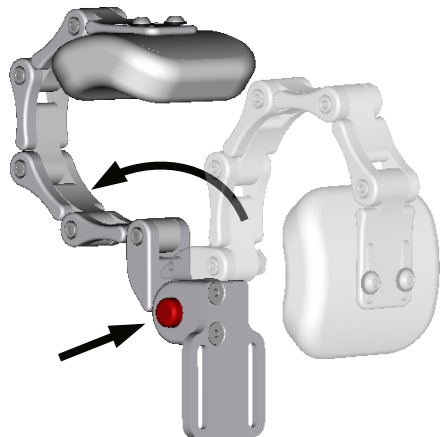


*Cover Flap not shown in illustration. Retract flap to expose the two holes for mounting the pad.

Flip Back Operation

To flip back the **UniLink Shoulder Retractor**:

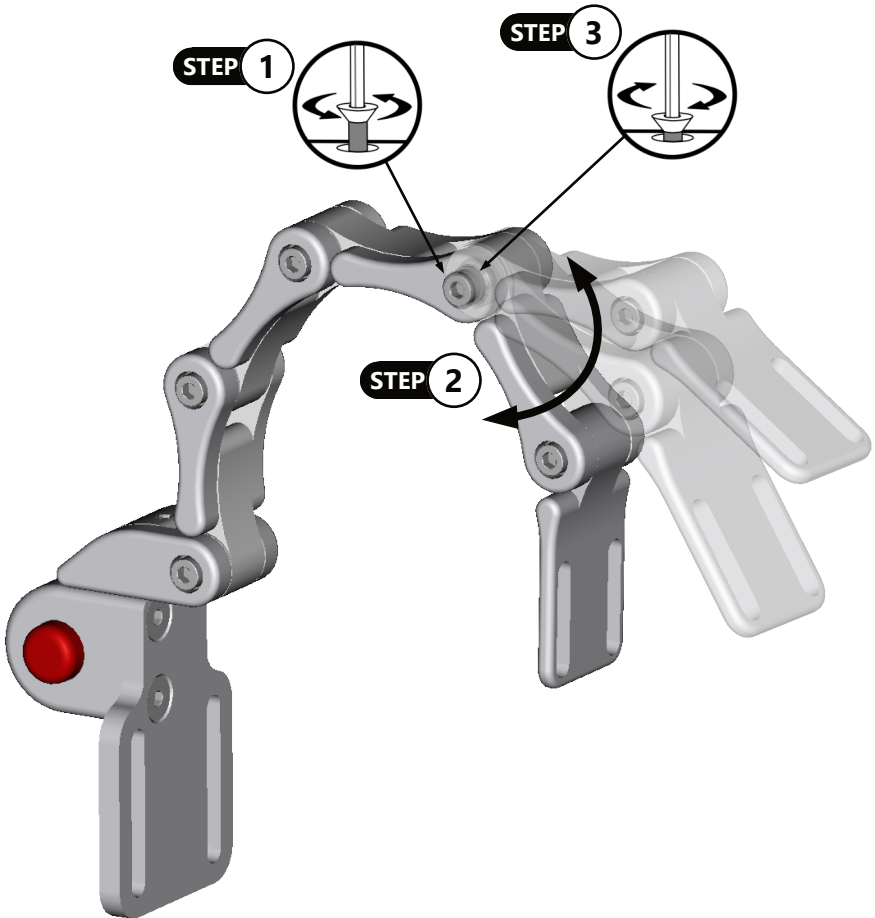
Depress the red button and the **UniLink Shoulder Retractor** will rotate to the rear, over the shoulder of the client and behind the seat of the chair.



Angle Adjustment

For angle adjustment of the shoulder retractors:

1. Using a 4mm hex key, Loosen the *M5 X 0.8 X 25MM Socket Head Screw (K)* at the base of the link you wish to adjust.

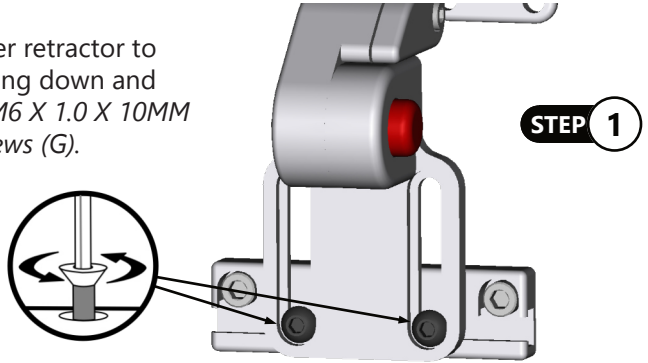


2. Move the link to the desired angle. The link may require extra force to release initially, but will move freely once released.
3. Hold the link in the new position and tighten the screw using a 4mm hex key to the torque value specified on page 4.

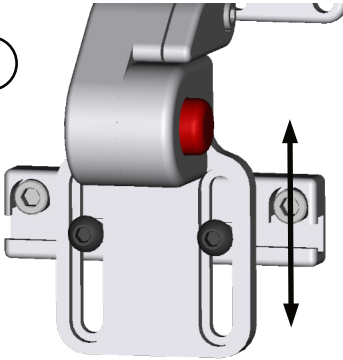
Height Adjustment

To adjust the height of the shoulder retractors:

1. Hold the shoulder retractor to keep it from sliding down and loosen the two *M6 X 1.0 X 10MM Button Head Screws (G)*.

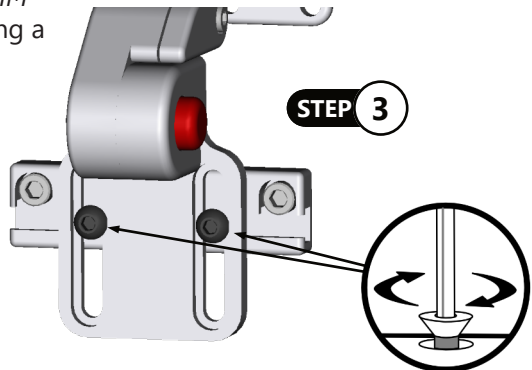


STEP 2



2. Slide the shoulder retractor to the desired height.

3. Tighten the *M6 X 1.0 X 10MM Button Head Screws (G)* using a 4mm hex key.



A small amount of height adjustment is also available by adjusting the links as shown on the previous page.

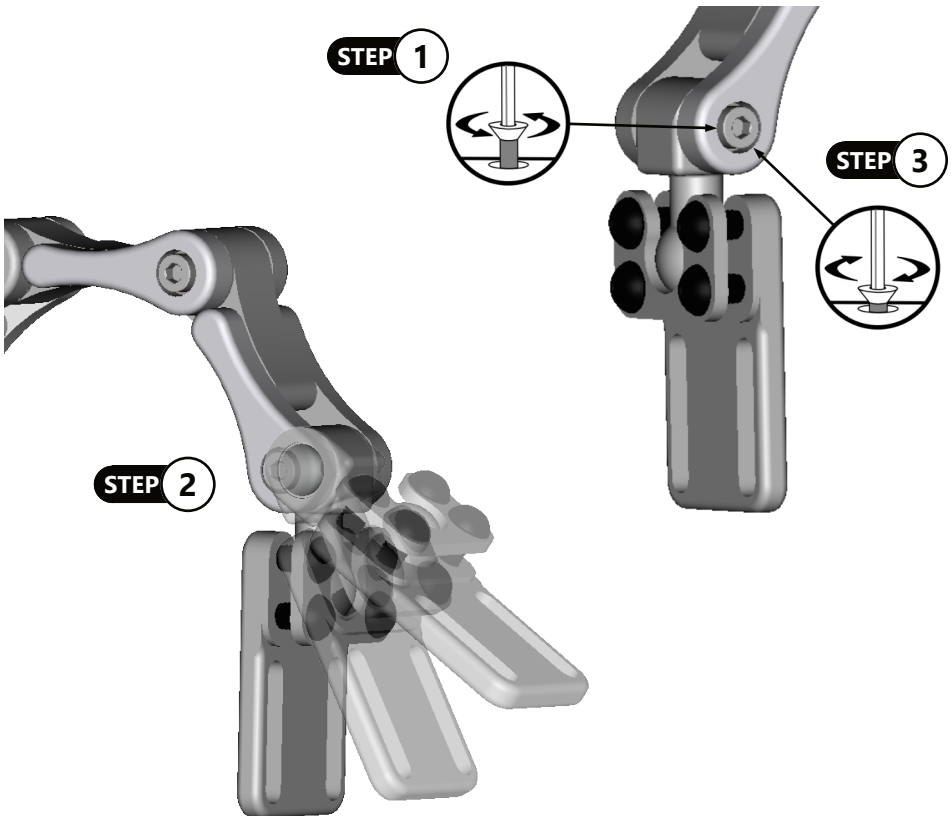
Full Surface Contact Mount Option

The Full Surface Contact Mount is an alternative pad mount capable of rotational adjustment, in addition to angular and lateral adjustment.

Angle Adjustment

To adjust the angle of the pad mount:

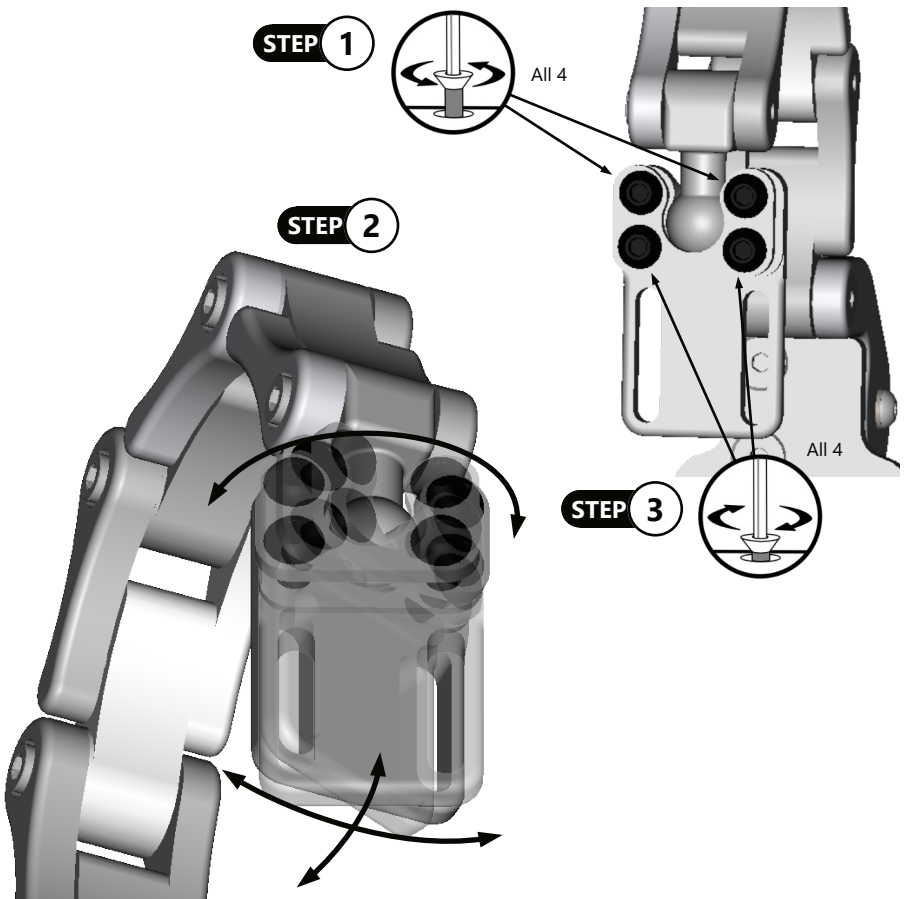
1. Loosen the *M5 x 0.8 x 25mm Socket Head Screw (K)* located at the base of the pad mount with a 4mm hex key.
2. Apply force to free the cone and socket and rotate the pad mount to the angle desired.
3. Hold the pad mount in position and tighten the *M5 x 0.8 x 25mm Socket Head Screw (K)* to secure it.



Rotational Adjustment

To adjust the rotation of the pad mount:

1. Loosen the four *M6 x 1.0 x 12MM Button Head Screws* until the pad mount can freely move.
2. Rotate the pad mount to the desired position.
NOTE: You may apply angular adjustments during the rotational adjustment. Make sure not to block the faces of the button head screws during adjustment to avoid tightening issues.
3. Tighten the four *M6 x 1.0 x 12MM Button Head Screws* to secure the pad mount in the new position. Ensure the screws are tightened slowly and evenly and retain the symmetry of the clip around the ball.



Dealer Assistance

During first time use by the client, it is advised that the dealer or service technician assists and explains the configurations to the customer (the user and/or the attendant). If needed, the dealer can make final adjustments.

User Testing

It is important that the customer is fully aware of the installation, how to use it, and what can be adjusted in order to gain as much mobility as possible. As a dealer, proceed as follows:

- Explain and show the customer how you have executed the installation, and explain the function of every item.

Have the user test the **UniLink Shoulder Retractors**:

- Is the hardware in the proper position for the client?
- Can the user safely operate the wheelchair with minimal effort?
- Is the placement of the shoulder retractors in an optimal position for the user?

If needed, adjust the **UniLink Shoulder Retractors** to the proper position.

Explain possible problems to the customer and address solutions to those problems.

Conditions of Use

UniLink Shoulder Retractors are intended for use as installed by the dealer, in accordance with the installation instructions contained in this manual.

- The foreseen conditions of use are communicated by the dealer or service technician to the user and/or attendant during first time use.
- If the usage conditions change significantly, please contact your dealer or qualified service technician to avoid excessive wear and tear or unintended damage.,

Cleaning

- Positioning accessories can be wiped clean with a damp cloth and mild, nonabrasive cleaner.
- To wash cover, remove the cover from the support pad, machine wash in cold water on a delicate cycle and let drip dry.

NOTICE

Machine wash warm, gentle cycle. DO NOT Iron. DO NOT Bleach.

CAUTION

Do not immerse pad in water or rinse with a water hose.

Maintenance

- Check the hardware for loose or worn parts.
- Check and tighten all fasteners regularly to avoid unexpected issues.
- Periodically check the shoulder retractor pad for any foam breakdown and/or metal coming through the foam. This could pose a potential danger to the client.

DANGER

Failure to comply with these warnings could result in serious bodily harm.

SAFETY

Repair or replace parts as needed.



© 2024, Stealth Products, LLC

Warranty Information



Home Page



Online User Manual



Stealth Products, LLC · info@stealthproducts.com · www.stealthproducts.com
(800) 965-9229 | (512) 715-9995 | 104 John Kelly Drive, Burnet, TX 78611