

Epic Seating System Adapter Tube

Ottobock Discovery (ESCTUL/R-020)

This adapter tube kit is intended to securely fit the Epic Seating System to an Ottobock Discovery wheelchair.

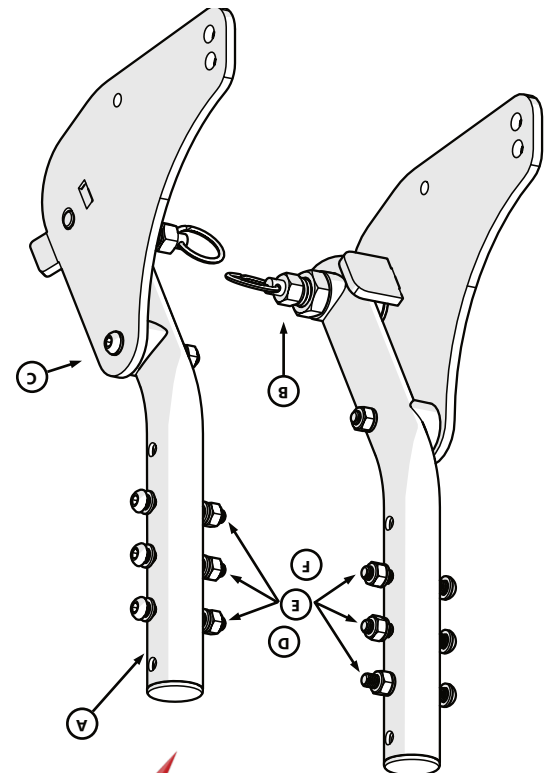
Part	Description	Qty
A	Adapter Tube	2
B	Locking Pin	2
C	Mounting Plate	2
D	M6 x 1 x 45mm	6
E	M6 Washer	12
F	M6 Nylon Lock Nut	6

Part	Description	Qty
A	Adapter Tube	1
B	Tube Nut	1
C	M6 x 1 x 45mm	3
D	M6 Washer	6
E	M6 Nylon Lock Nut	3

This adapter tube kit is intended to securely fit the Epic Seating System to an Ottobock Discovery wheelchair.

Ottobock Discovery (ESCTUL/R-020)

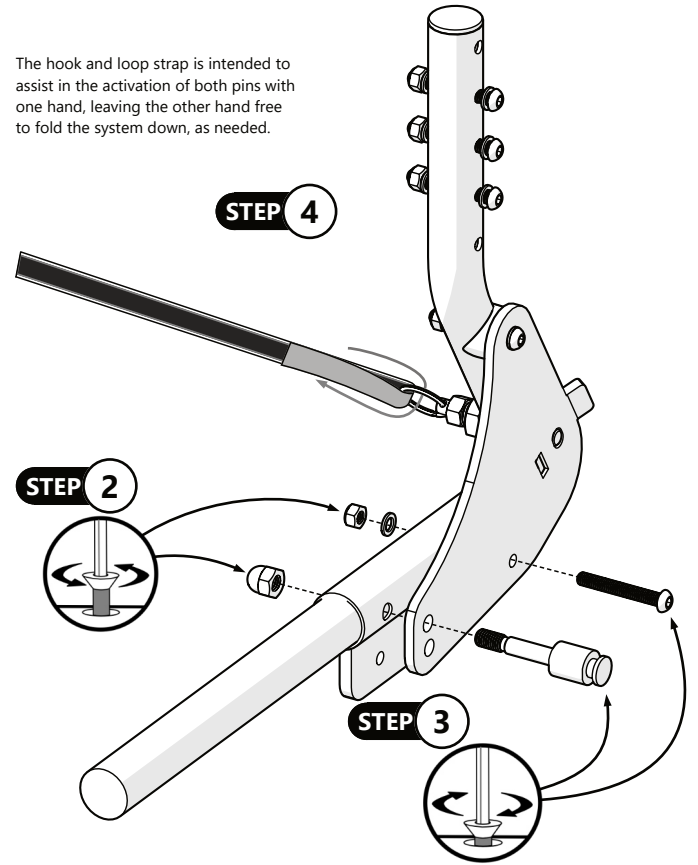
Epic Seating System Adapter Tube



Installation Instructions

- Carefully uninstall the levers for brake and tilt functions from the push handles and back support canes, if necessary. Position the cables such that they will not get pinched or kinked during the installation.
- Remove the two fasteners securing the existing mounting plates to the seat tubes on both sides of the wheelchair. Retain the fasteners to use in the next step.
- Select the hole corresponding to the desired seat depth and use the two fasteners retained in the previous step to attach the mounting plate of the Attachment Hardware to the seat tube.
- Locate the 20" hook and loop strap and thread it through the rings attached to the locking pins on the bottom of the adapter tubes. Leave some slack in the strap and stick the hook and loop surfaces together as shown in the image to the right.
- Continue the installation as described in the installation section of the Epic Seating Owner's Manual.
- Once installation is completed, route and secure the cabling and controls removed in Step 1. Install the control handles on the back canes of the Epic system, making sure to give each control enough room to operate correctly without impeding the function of any other control.

The hook and loop strap is intended to assist in the activation of both pins with one hand, leaving the other hand free to fold the system down, as needed.



* For questions specific to the frame, please consult the manual included with your Ottobock chair.

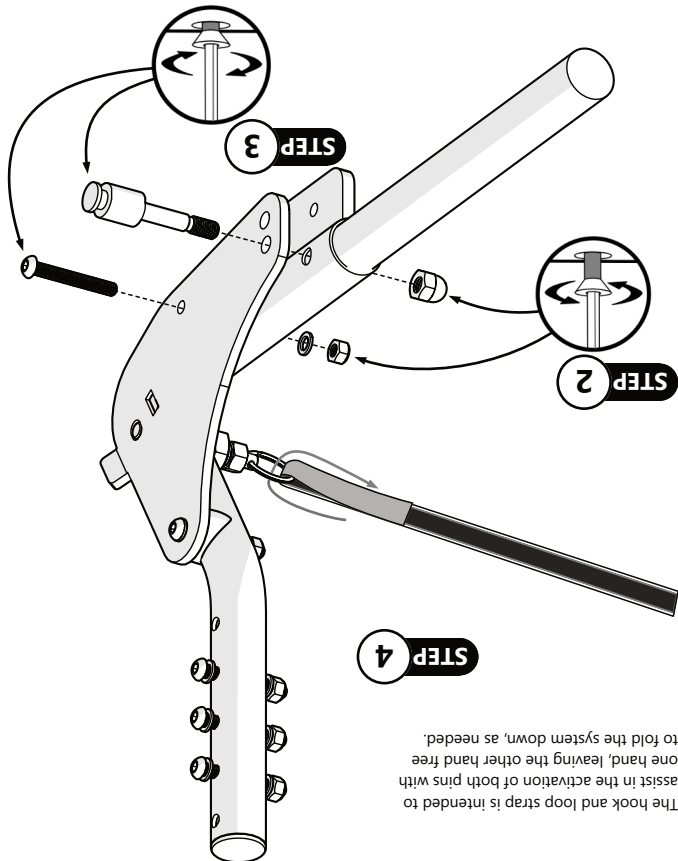
P147D695-020

Jun 12, 2024

Jun 12, 2024

P147D695-020

* For questions specific to the frame, please consult the manual included with your Ottobock chair.



The hook and loop strap is intended to assist in the activation of both pins with one hand, leaving the other hand free to fold the system down, as needed.

- Carefully uninstall the levers for brake and tilt functions from the push handles and back support canes, if necessary. Position the cables such that they will not get pinched or kinked during the installation.
- Remove the two fasteners securing the existing mounting plates to the seat tubes on both sides of the wheelchair. Retain the fasteners to use in the next step.
- Select the hole corresponding to the desired seat depth and use the two fasteners retained in the previous step to attach the mounting plate of the Attachment Hardware to the seat tube.
- Locate the 20" hook and loop strap and thread it through the rings attached to the locking pins on the bottom of the adapter tubes. Leave some slack in the strap and stick the hook and loop surfaces together as shown in the image to the right.
- Continue the installation as described in the installation section of the Epic Seating Owner's Manual.
- Once installation is completed, route and secure the cabling and controls removed in Step 1. Install the control handles on the back canes of the Epic system, making sure to give each control enough room to operate correctly without impeding the function of any other control.

Installation Instructions