

UniLink Joystick Mount

Owner's Manual - Maintenance Guide

UniLink Joystick Mount for Soul Mobility



Customer Satisfaction i
 General i

Important Information ii-iii
 Warranty ii
 Warning Labels..... iii
 Limited Liability..... iii
 Testing iii

Design & Function 1
 Intended Use..... 1
 Parts Breakdown..... 1

Installation Instructions 2-4
 Installing the UniLink Assembly to the Chair..... 2
 Installing the Single Point Adapter to the Joystick..... 3
 Mounting the Single Point Adapter to the Joystick Mount 4

Adjustment Instructions..... 5
 Adjusting the Height of the Joystick Mount..... 5
 Adjusting the Lateral Position of the Joystick Mount..... 5
 General Adjustments to the UniLink Assembly..... 5

Operating Instructions 6
 Operating the Flip-Down UniLink Assembly 6

First Time Use 7
 Dealer Assistance 7
 User Testing 7
 Conditions of Use 7

Maintenance 8
 Cleaning..... 8
 Maintenance 8

Stealth Products is committed to 100% customer satisfaction. Your complete satisfaction is important to us. Please contact us with feedback or suggestions to help us improve the quality and usability of our products.

You may reach us at:

Stealth Products, LLC

104 John Kelly Drive, Burnet, TX 78611



Phone: (512) 715-9995

Fax: (512) 715-9954

Toll Free: (800) 965-9229

Toll Free: (800) 806-1225

info@stealthproducts.com

www.stealthproducts.com

<p>EU REP</p>  <p>PRIDE MOBILITY PRODUCTS EUROPE BV De Zwaan 3 1601 MS Enkhuizen The Netherlands</p>	<p>CH REP</p> <p>SODIMED SA Chemin Praz Devant 12 1032 Romanel sur-Lausanne Switzerland</p>	<p>UK Authorized Representative</p>  <p>PRIDE MOBILITY PRODUCTS LTD. 32 Wedgwood Road, Bicester, Oxfordshire OX26 4UL United Kingdom</p>
---	---	--

General

Read and understand all instructions prior to the use of the product. Failure to adhere to instructions and warnings in this document may result in property damage, injury, or death. Product misuse or failure to follow instructions will void the warranty.

Immediately discontinue use if any function is compromised, if parts are missing or loose, or if any component shows signs of excessive wear. Consult with your supplier for repair, adjustment, or replacement.

All persons responsible for fitting, adjustment, and daily use of the devices discussed in these instructions must be familiar with and understand all safety aspects of the devices mentioned. In order for our products to be used successfully, you must read and understand all instructions and warnings, and maintain our products according to our instructions on care and maintenance.

The installation instructions will guide you through this product's options and possibilities.

Instructions are written with the expressed intent of use with standard configurations. They also contain important safety and maintenance information, as well as describe possible problems that can arise during use. For further assistance, or more advanced applications, please contact your supplier or **Stealth Products** at (512) 715-9995 or toll free at (800) 965-9229.

Always keep the operating instructions in a safe place so they may be referenced as necessary.

All information, pictures, illustrations, and specifications are based on the product information that was available at the time of printing. Pictures and illustrations shown in these instructions are representative examples and are not intended to be exact depictions of the various parts of the product.

Important Information

CAUTION

These products are designed to be fitted, applied, and installed exclusively by a healthcare professional trained for these purposes. The fitting, application, and installation by a non-qualified individual could result in serious injury.

Warranty

Our products are designed, manufactured, and produced to the highest of standards. If any defect in material or workmanship is found, **Stealth Products** will repair or replace the product at our discretion. Any implied warranty, including the implied warranties of merchantability and fitness for a particular purpose, shall not extend beyond the duration of this warranty. **Stealth Products** does not warrant damage due to, but not limited to: Misuse, abuse, or misapplication of product, and/or modification of product without written approval from **Stealth Products, LLC**. Any alteration or lack of serial number, where applicable, will automatically void all warranty.

Stealth Products, LLC is liable for replacement parts only. **Stealth Products, LLC** is not liable for any incurred labor costs.

Stealth Products warrants against failure due to defective materials or workmanship:

Covers, Headrest Pads, Cushions: 2 years

Hardware: 5 years

Electronics: 3 years

In the event of a product failure covered by our warranty, please follow the procedures outlined below:

Call **Stealth Products** at (512) 715-9995 or toll free at (800) 965-9229.

Request a Return Authorization (RA) form from the Returns Department and follow the documentation instructions.

You can download additional copies of this manual by accessing the Stealth website (www.stlpro.site/stealth-docs) and searching "P22D877" in the search bar at the top of the page.

Supplier Reference

Supplier:	
Telephone:	
Address:	
Purchase Date:	
Model:	

Warning Labels

Warnings are included for the safety of the user, client, operator, and property. Please read and understand what the signal words **DANGER**, **WARNING**, **CAUTION**, **NOTICE**, and **SAFETY** mean, and how they could affect the user, those around the user, and property.

DANGER

Identifies an **imminent** situation which, if not avoided, may result in **severe injury, death, and property damage**.

WARNING

Identifies a **potential** situation which, if not avoided, may result in **severe injury, death, and property damage**.

CAUTION

Identifies a **potential** situation which, if not avoided, may result in **minor to moderate injury and property damage**.

NOTICE

Identifies important information not related to injury, but possible **property damage**.

SAFETY

Indicates steps or instructions for safe practices, reminders of safe procedures, or important safety equipment that may be necessary.

Limited Liability

Stealth Products, LLC accepts no liability for personal injury or damage to property that may arise from the failure of the user or other persons to follow the recommendations, warnings, and instructions in this manual.

Stealth Products does not hold responsibility for final integration of final assembly of product to end user. **Stealth Products** is not liable for user death or injury.

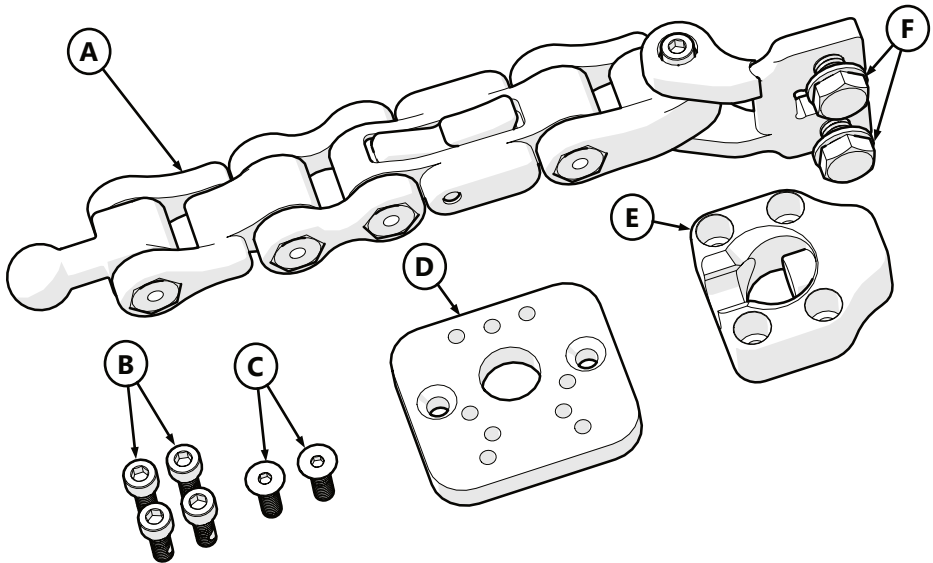
Testing

Initial setup and driving should be done in an open area free of obstacles until the user is fully capable of driving safely.

Intended Use

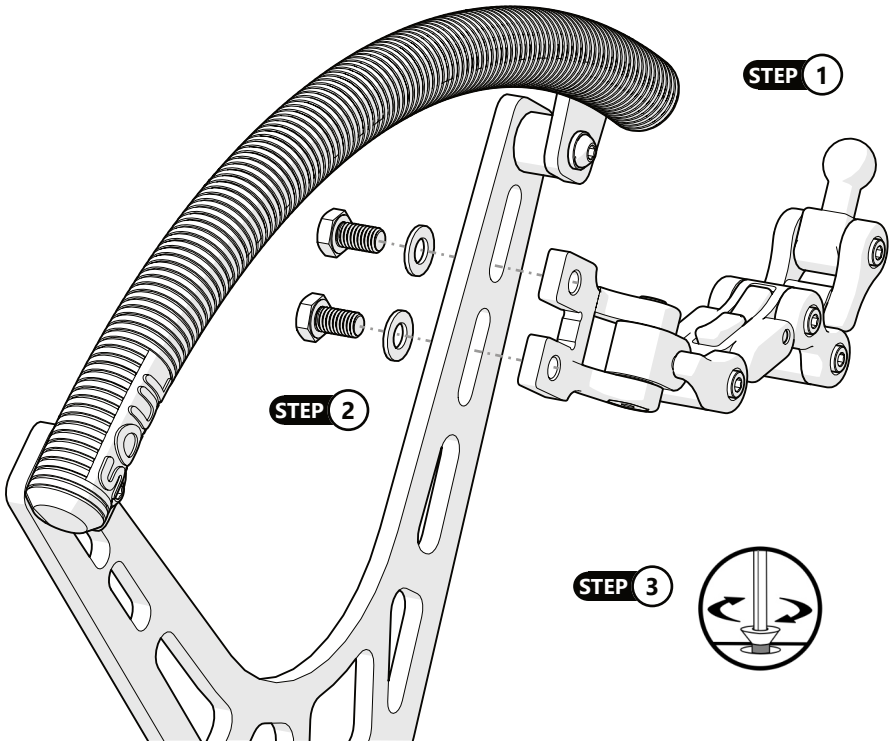
The Soul Mobility UniLink Joystick Mount is intended to provide provide a sturdy mounting location for the joystick. The UniLink design allows for significant adjustability so the joystick may be placed in the optimal position for the client. It flips out of the way as needed and reliably locks back into a functional position for active use. It is intended for users of the Soul Mobility, Inc Power-Flex power drive attachment for manual wheelchairs.

Parts Breakdown



	Description	Quantity	Torque
A	UniLink Swing Away Assembly	1	-
B	M5 x 0.8 x 14MM SHSN	4	6.8 N·m
C	M5 x 0.8 x 16MM FHS	2	6.8 N·m
D	Joystick Adapter Plate	1	-
E	Single Point Adapter	1	-
F	M8 x 1.25 x 14MM HCS & M8 SSW	2	28 N·m

Installing the UniLink Assembly to the Chair

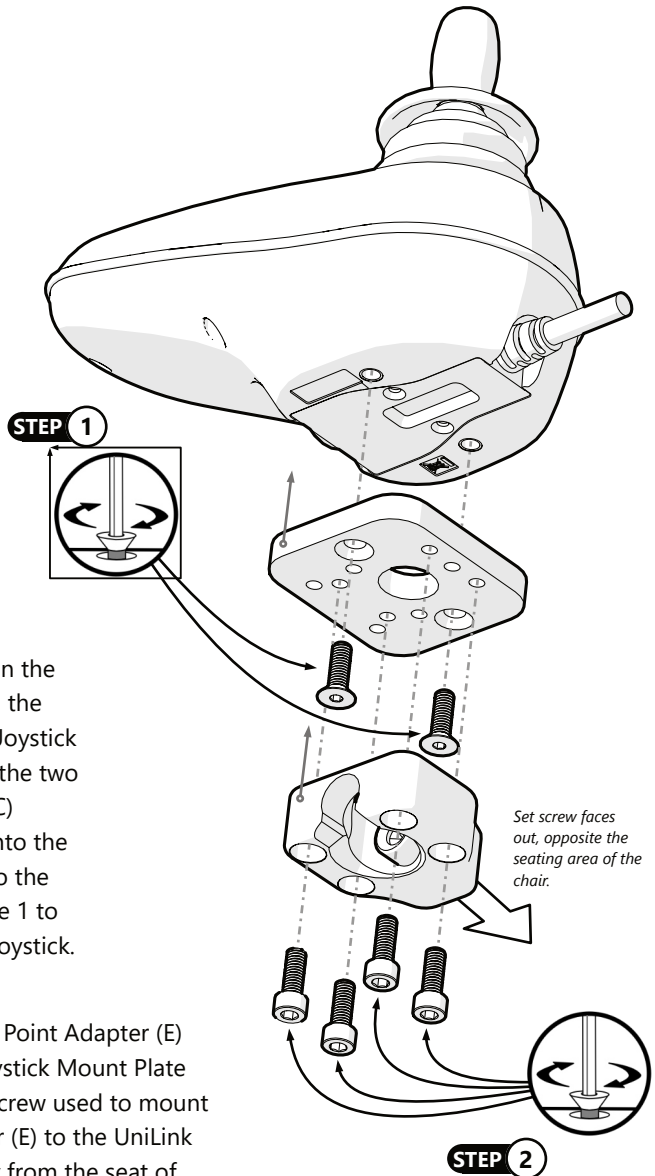


Step 1: Select the mounting location on the Handrim Support. Align the UniLink Swing-Away Assembly (A) with the Handrim Support as shown in the image above.

Step 2: Insert an M5 x 1.25 x 14MM HCS (F) through an M8 SSW (F), the slot in the Handrim Support and loosely thread into the UniLink Swing-Away Assembly (A). Repeat this step for the other M8 x 1.25 x 14MM HCS.

Step 3: Adjust the UniLink Swing-Away Assembly (A) into the correct position and tighten the M8 x 1.25 x 14MM HCS (F) to the torque values specified on Page 1.

Installing the Single Point Adapter to the Joystick



Step 1: Align the holes in the base of the joystick with the chamfered holes in the Joystick Mount Plate (D). Insert the two M5 x 0.8 x 16MM FHS (C) through the plate and into the joystick base. Tighten to the torque specified on Page 1 to secure the plate to the joystick.

Step 2: Align the Single Point Adapter (E) with the holes in the Joystick Mount Plate (D) and ensure the set screw used to mount the Single Point Adapter (E) to the UniLink Assembly is facing away from the seat of the chair (away from the user). Insert four M5 x 0.8 x 14MM SHSN (B) through these holes and into the Joystick Mount Plate (D). Tighten these fasteners to the torque specification on Page 1.

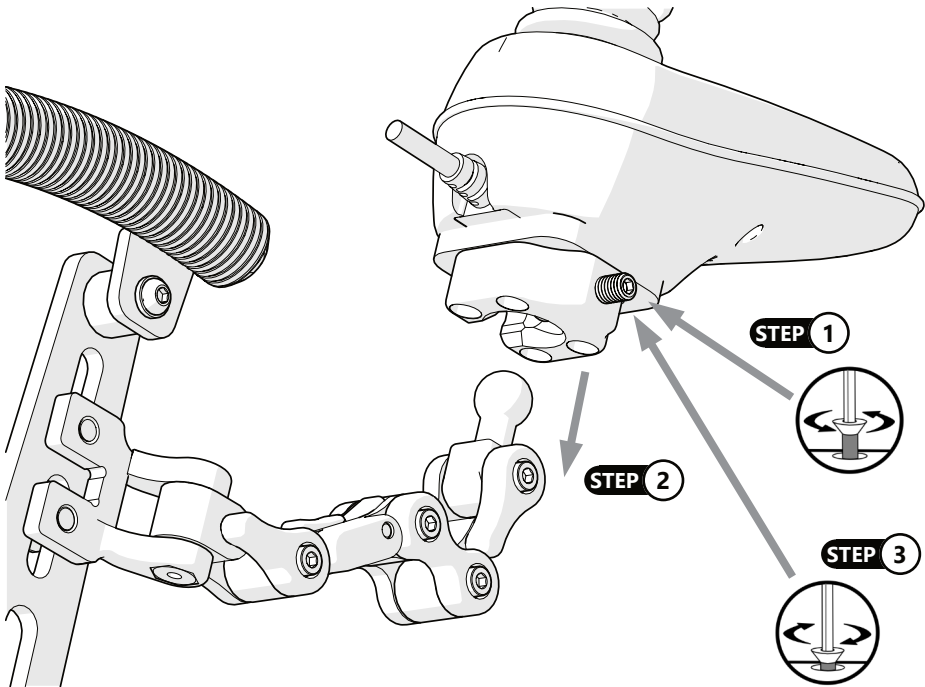
Mounting the Single Point Adapter to the Joystick Mount

Step 1. Loosen the set screw in the Single Point Adapter (E). Using your finger or an appropriate tool, depress the plunger towards the set screw to allow adequate room for the ball to fit in the socket.

Step 2. Place the ball end of the UniLink Assembly (A) into the Single Point Adapter (E).

Step 3. Roughly align the joystick in its intended position and hold as you tighten the set screw to secure it. Be mindful not to over-tighten the set screw, as this can cause marring of or damage to the ball mount.

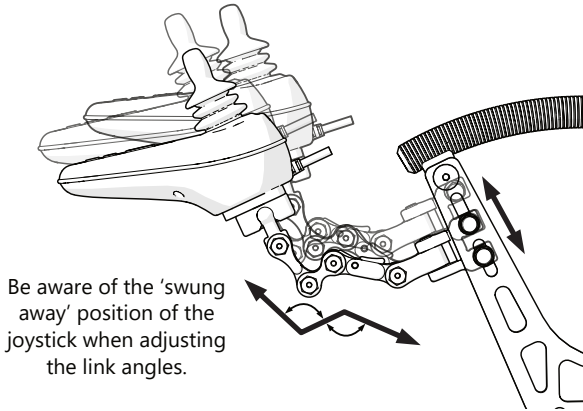
Step 4. To make adjustments to the position of the joystick, loosen the set screw, move the joystick to the new position and tighten the set screw to secure the new position.



WARNING

Use only the fasteners included with the hardware. Use of fasteners other than the ones supplied with this hardware can cause damage, injury, or void the warranty.

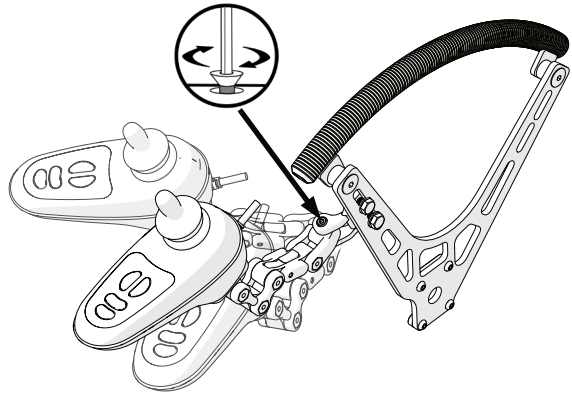
Adjusting the Height of the Joystick Mount



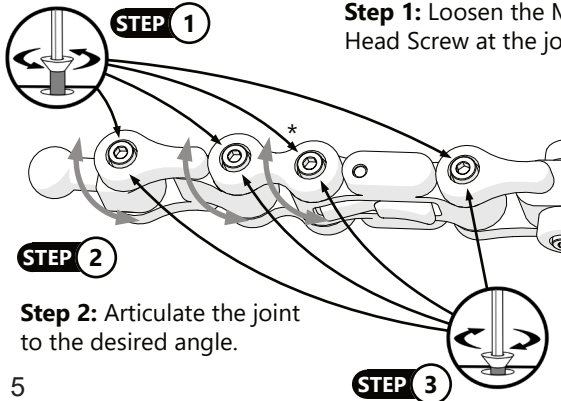
The height of the joystick can be affected by several adjustments. Adjusting the individual links can raise or lower the joystick while changing its angular position at the same time. The entire mount can also be moved to a higher mounting position on the armrest.

Adjusting the Lateral Position of the Joystick Mount

The lateral position of the joystick is adjusted by loosening the 4mm screw located at the base of the joystick mount, pivoting the mount to the location desired, and tightening the fastener to the torque specification on page 2.



General Adjustments to the UniLink Assembly



Step 1: Loosen the M5 X 0.8 x 22MM Socket Head Screw at the joint you wish to adjust.

Step 2: Articulate the joint to the desired angle.

Step 3: Tighten the screw to 10.3 N·m to secure the UniLink joint in the new position.

* Ensure that the swing-away latch is locked prior to loosening and adjusting this link. It will be difficult to set the latched position of the joint and determine the final locked position of the assembly if this item is unlocked during adjustment.

Operating the Flip-Down UniLink Assembly

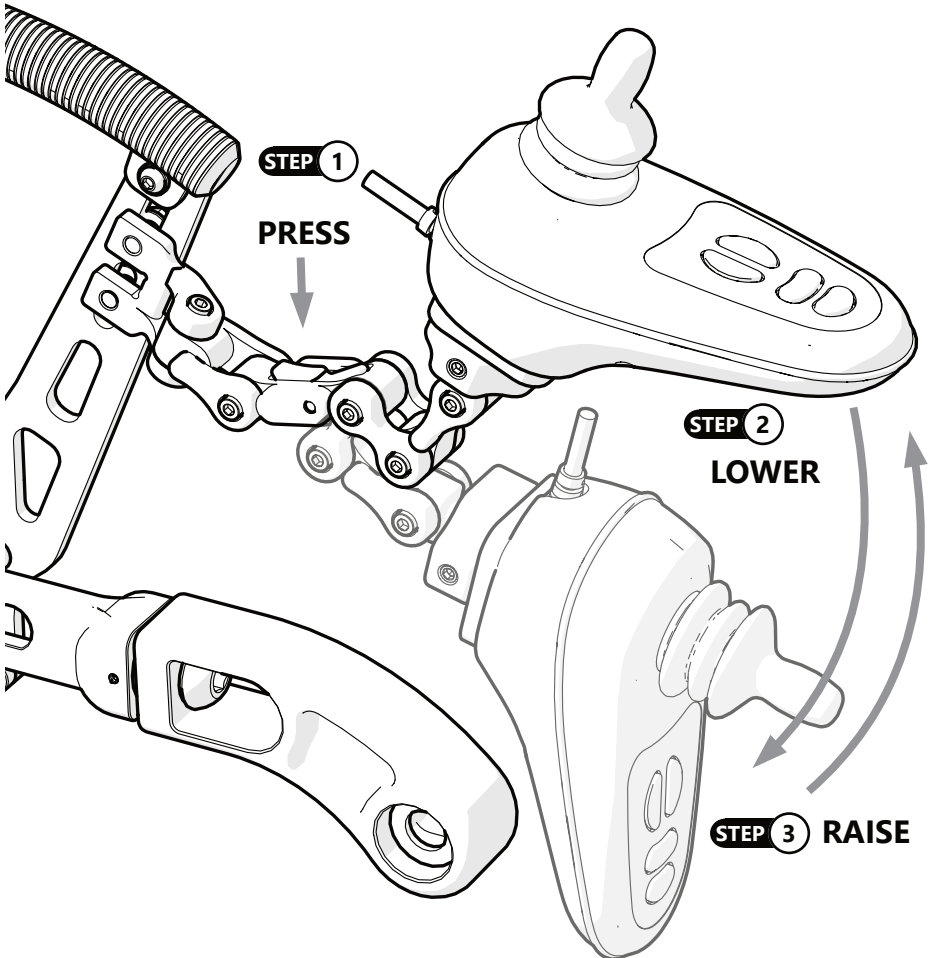
Step 1: To flip down the joystick, depress the red button while providing some support to control the joystick during the release.

Step 2: Lower the joystick to its flipped-down position and perform the activity that prompted the positioning change.

Step 3: When your activity is complete, gently raise the joystick back to its original position. The latch should make a click when it locks. Ensure the latch is fully engaged prior to resuming normal operation of the joystick.

⚠ CAUTION

Depending on the final configuration of the UniLink Assembly and joystick, depressing the latch without providing support to the device could lead to equipment damage or user injury. The technician should review the installation looking for pinch points or objects in the path of travel.



Dealer Assistance

During first time use by the client, it is advised that the dealer or service technician assists and explains the configuration to the customer (the user and/or the attendant). If needed, the dealer can make final adjustments.

User Testing

It is important that the customer is fully aware of the installation and how the product can be adjusted in order to gain the best positioning possible. As a dealer, proceed as follows:

- Explain and show the client how you have executed the installation, and explain the function.

Have the user test the position of the product:

- Is the **UniLink Joystick Mount** in the proper position for the client?
- Can the user safely operate the chair in the position in which they are seated?
- Is the placement of the **UniLink Joystick Mount** in an optimal position for the client?

Conditions of Use

The **UniLink Joystick Mount** is intended for use as installed by the dealer, in accordance to the installation instructions in this manual.

- The foreseen conditions of use are communicated by the dealer or service technician to the user and/or attendant during the first time use.
- If the conditions of use change significantly, please contact your dealer or a qualified service technician to avoid excessive wear and tear or unintended damage.

CAUTION

These products are designed to be fitted, applied, and installed exclusively by a healthcare professional trained for these purposes. The fitting, application, and installation by a non-qualified individual could result in serious injury.

Cleaning

- Remove surface dirt and grime with a soft cloth moistened with water and a mild detergent.
- Rinse surfaces thoroughly with clean water and wipe dry.

Maintenance

- Periodically check that screws are tightened to the torque specifications listed in the front of this manual. Gently tighten any screws that may have become loose during this interval.
- Keep the hardware clean and free of dust or dirt.
- All parts should be checked on a regular basis and repaired, if necessary, by a service technician.
- If bent or broken parts are discovered, discontinue use and contact a service technician or your provider.
- Do not operate the hardware if any parts are loose or missing. Contact your service provider.

SAFETY

For joystick maintenance guidelines refer to the device's user manual.



© 2022, Stealth Products, LLC

Warranty Information



Home Page



Online User Manual



Stealth Products, LLC · info@stealthproducts.com · www.stealthproducts.com
(800) 965-9229 | (512) 715-9995 | 104 John Kelly Drive, Burnet, TX 78611