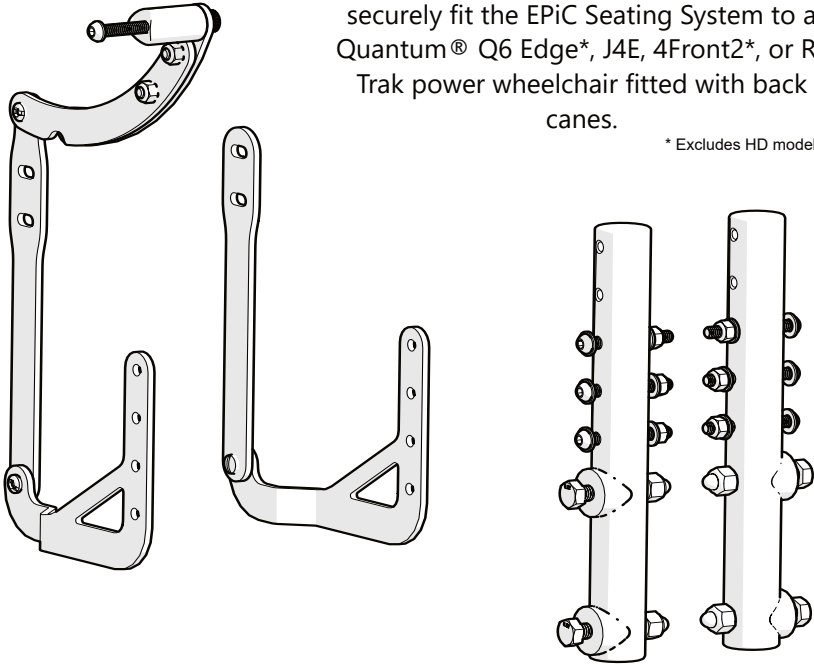




This adapter tube kit is designed to securely fit the EPiC Seating System to a Quantum® Q6 Edge*, J4E, 4Front2*, or R-Trak power wheelchair fitted with back canes.

* Excludes HD models.



EPiC Seating System Adapter Set

Installation Guide

EPiC Seating System Adapter Tube Set Quantum® Power Wheelchairs

Customer Satisfaction

Stealth Products is committed to 100% customer satisfaction. Your complete satisfaction is important to us. Please contact us with feedback or suggestions to help us improve the quality and usability of our products.

You may reach us at:

Stealth Products, LLC

104 John Kelly Drive, Burnet, TX 78611



Phone: (512) 715-9995

Fax: (512) 715-9954

Toll Free: (800) 965-9229

Toll Free: (800) 806-1225

info@stealthproducts.com

www.stealthproducts.com

<p>EU REP</p>  <p>PRIDE MOBILITY PRODUCTS EUROPE BV De Zwaan 3 1601 MS Enkhuizen The Netherlands</p>	<p>CH REP</p> <p>SODIMED SA Chemin Praz Devant 12 1032 Romanel sur-Lausanne Switzerland</p>	<p>UK Authorized Representative</p> <p>PRIDE MOBILITY PRODUCTS LTD. 32 Wedgwood Road, Bicester, Oxfordshire OX26 4UL United Kingdom</p> 
---	---	--

General

Read and understand all instructions prior to the use of the product. Failure to adhere to instructions and warnings in this document may result in property damage, injury, or death. Product misuse or failure to follow instructions will void the warranty.

Immediately discontinue use if any function is compromised, if parts are missing or loose, or if any component shows signs of excessive wear. Consult with your supplier for repair, adjustment, or replacement.

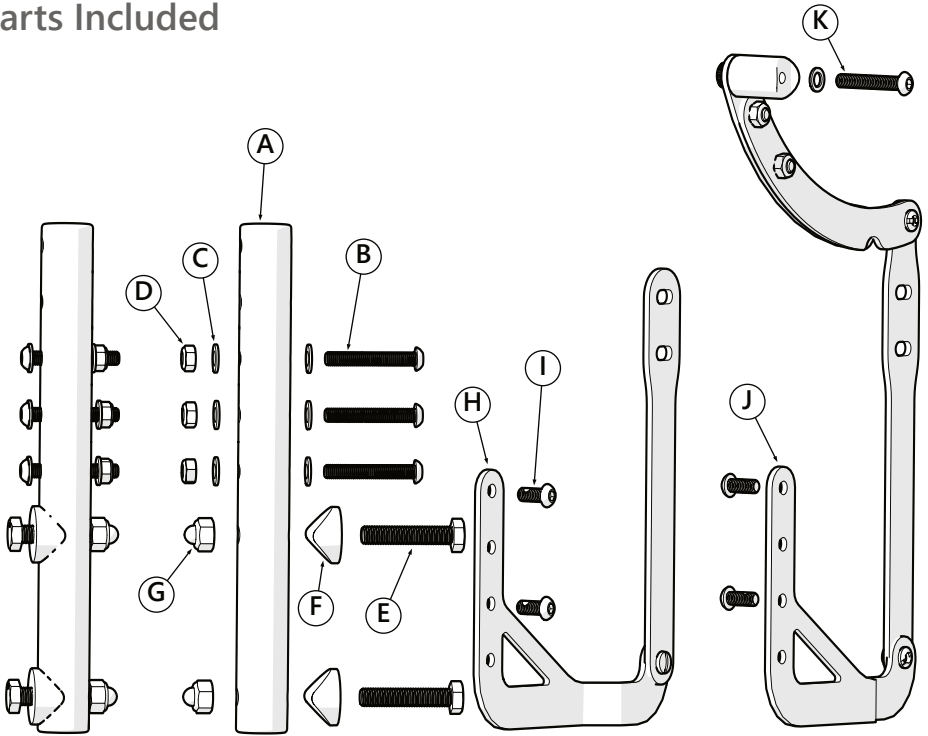
All persons responsible for fitting, adjustment, and daily use of the devices discussed in these instructions must be familiar with and understand all safety aspects of the devices mentioned. In order for our products to be used successfully, you must read and understand all instructions and warnings, and maintain our products according to our instructions on care and maintenance.

The installation instructions will guide you through this product's options and possibilities. Instructions are written with the expressed intent of use with standard configurations. They also contain important safety and maintenance information, as well as describe possible problems that can arise during use. For further assistance, or more advanced applications, please contact your supplier or **Stealth Products** at (512) 715-9995 or toll free at (800) 965-9229.

Always keep the operating instructions in a safe place so they may be referenced as necessary.

All information, pictures, illustrations, and specifications are based on the product information that was available at the time of printing. Pictures and illustrations shown in these instructions are representative examples and are not intended to be exact depictions of the various parts of the product.

Parts Included

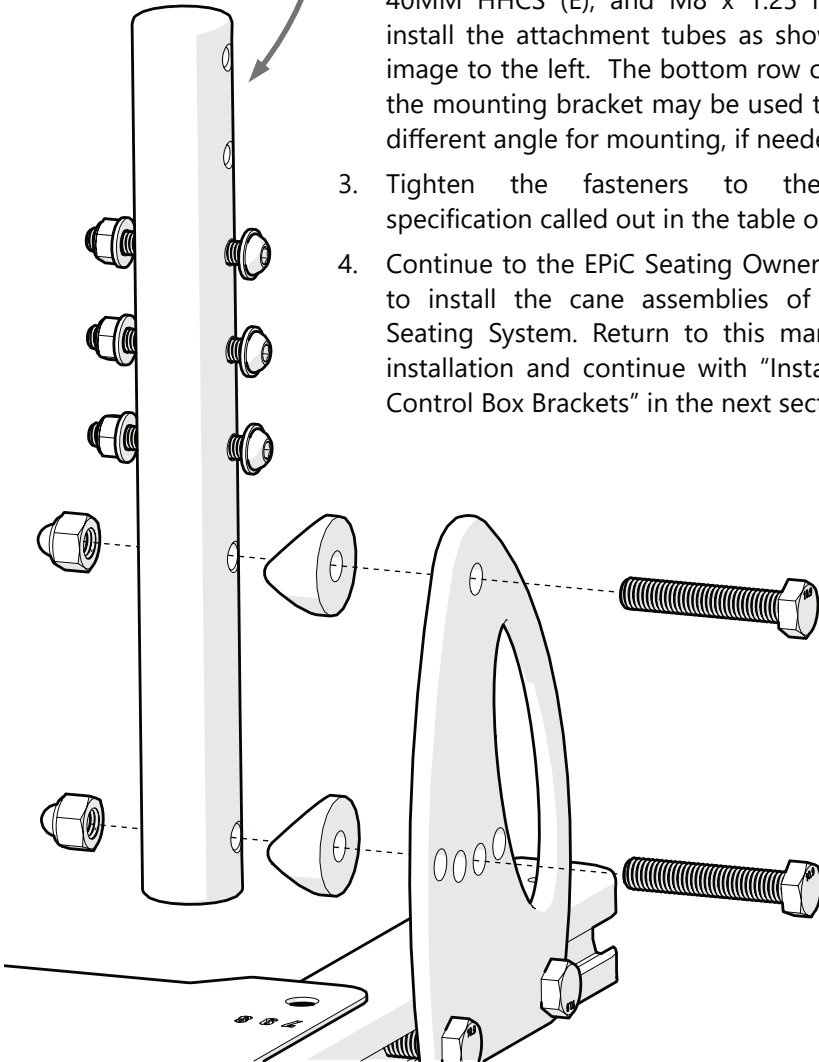


Part	Description	Qty	Torque
A	Attachment Tube	2	N/A
B	M6x1x45MM BHS	6	11 N·m
C	M6 Flat Washer	12	N/A
D	M6 x 1 Nylon Locknut	6	11 N·m
E	M8 x 1.25 x 45MM HHCS	4	28 N·m
F	Saddle Washer	4	N/A
G	M8 x 1.25 NLCN	4	28 N·m
H	Control Box Mounting Bracket, Right	1	N/A
I	M6 x 1 x 16MM BHSN	4	11 N·m
J	Control Box Mounting Bracket, Left	1	N/A
K	M6 x 1 x 40MM BHS	2	11 N·m

Installing the Attachment Tubes

These upper two holes may be used to adjust the entire EPiC Seating System higher by one or two inches, to provide extra Control Box clearance or to satisfy client positioning needs.

1. Remove the back support canes from the power chair, leaving the existing mounting brackets attached to the seat rails. They may be adjusted forward or backward to accommodate the EPiC Seating installation as necessary.
2. Using the Saddle Washers (F), M8 x 1.25 X 40MM HHCS (E), and M8 x 1.25 NLCN (G), install the attachment tubes as shown in the image to the left. The bottom row of holes in the mounting bracket may be used to select a different angle for mounting, if needed.
3. Tighten the fasteners to the torque specification called out in the table on Page 2.
4. Continue to the EPiC Seating Owner's Manual to install the cane assemblies of the EPiC Seating System. Return to this manual after installation and continue with "Installation of Control Box Brackets" in the next section.



Installing the Control Box Brackets

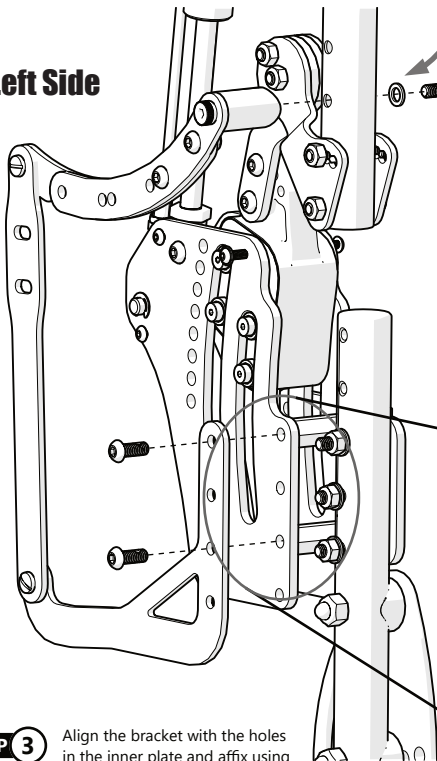
1. Remove the two screws securing the inner plate of the cane assembly to the spacers located in the front of the assembly as shown in the illustrations below.
2. Align the saddle spacer located at the end of the curved adjustment section of the control box bracket with the back support cane at the second hole above the depth adjustment plates. Thread the M6 x 1 x 40MM BHS (K) through the split washer and flat washer and then pass it through the cane and into the threaded spacer. Loosely screw it into the spacer to hold it in place during the next step.
3. Position the lower section of the bracket as shown in the left image below and thread the screws removed in Step 1 back through the plates and into the spacers. Torque these fasteners to the torque specified in the table on Page 2. Repeat this step for the right side bracket.
4. Tighten the M6 x 1 x 40MM Button Head Screws to the torque specification called out in the table on Page 2.

STEP 2

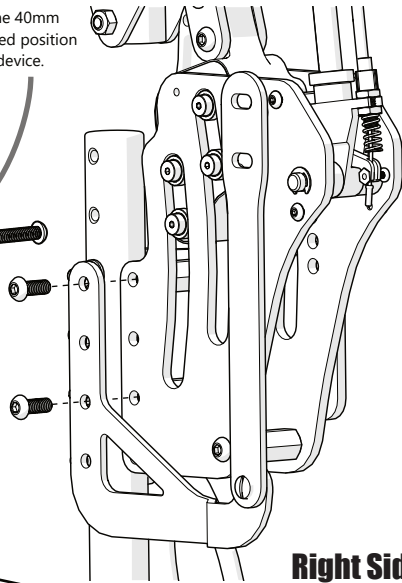
Gently affix the saddle spacer to the cane with the 40MM Button Head Screw.

WARNING: Failure to install the 40mm Button Head Screw in the indicated position could cause damage to the device.

Left Side



Right Side

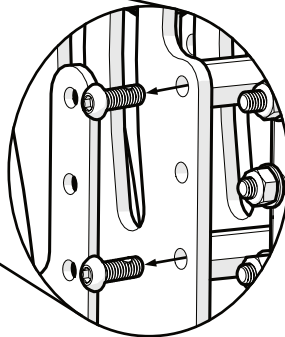


STEP 1

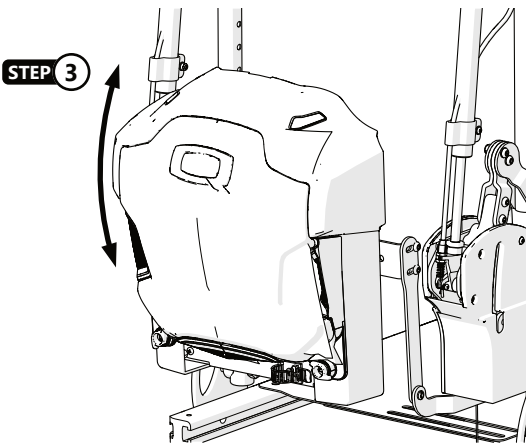
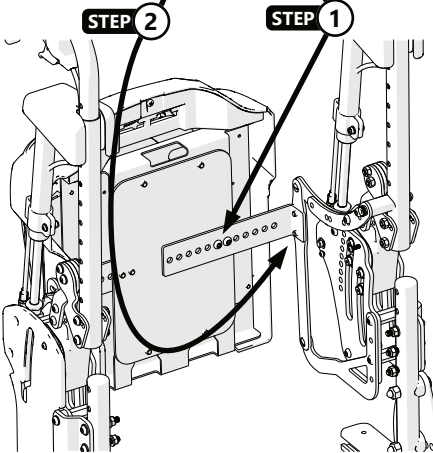
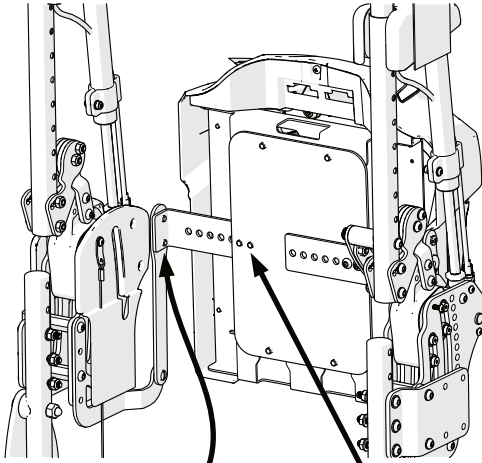
Remove these screws to access the mounting location for the bracket.

STEP 3

Align the bracket with the holes in the inner plate and affix using the screws removed in Step 1.



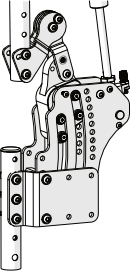
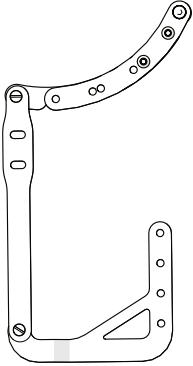
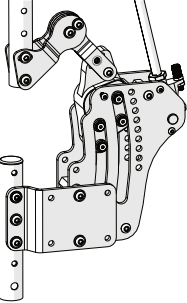
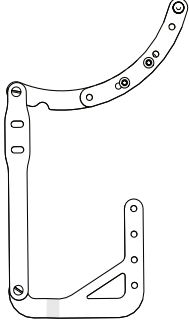
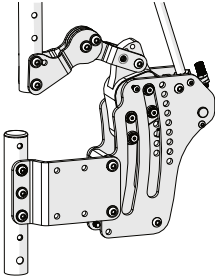
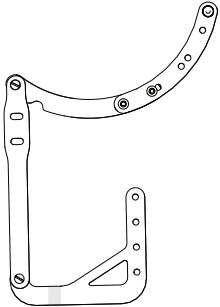
Installing the Control Box



1. Loosen the brackets on the control box so they can be adjusted to fit the brackets on the EPiC Seating System.
2. Align the mounting brackets on the control box with the center two holes on each control box bracket and insert screws into the aligned holes. Loosely thread these screws into place to hold the control box.
3. Articulate the EPiC Seating System and verify that the control box does not interfere with or intersect any other part of the seat pan or chair through the full range of movement. Ensure the back of the control box stays parallel with the plane of the back support canes during the entire articulation. If the lower part of the control box or wiring hits the seat pan or top of the motor housing, the EPiC assemblies will have to be raised one or two inches using the extra holes located in the attachment rods as shown on page 3. If the chair is equipped with tilt, activate the tilt fully and attempt the articulation test above. Ensure that the control box and cables do not contact or touch the seat pan or top of the motor housing.

Adjusting the Control Box for Depth

The EPiC Seating System has three positions for depth. The control box bracket will require an adjustment to the same depth setting. Refer to the images below to determine the proper setting for your installation configuration.

EpiC Seating Configuration	=	Control Box Bracket Configuration
	<p>Front Position</p> <p>=</p> <p><i>Most Pelvic Depth</i></p>	
	<p>Mid Position</p> <p>=</p> <p><i>Mid Pelvic Depth</i></p>	
	<p>Rear Position</p> <p>=</p> <p><i>Least Pelvic Depth</i></p>	



© 2025, Stealth Products, LLC

Warranty Information



Home Page



Online User Manual



Stealth Products, LLC · info@stealthproducts.com · www.stealthproducts.com
(800) 965-9229 | (512) 715-9995 | 104 John Kelly Drive, Burnet, TX 78611